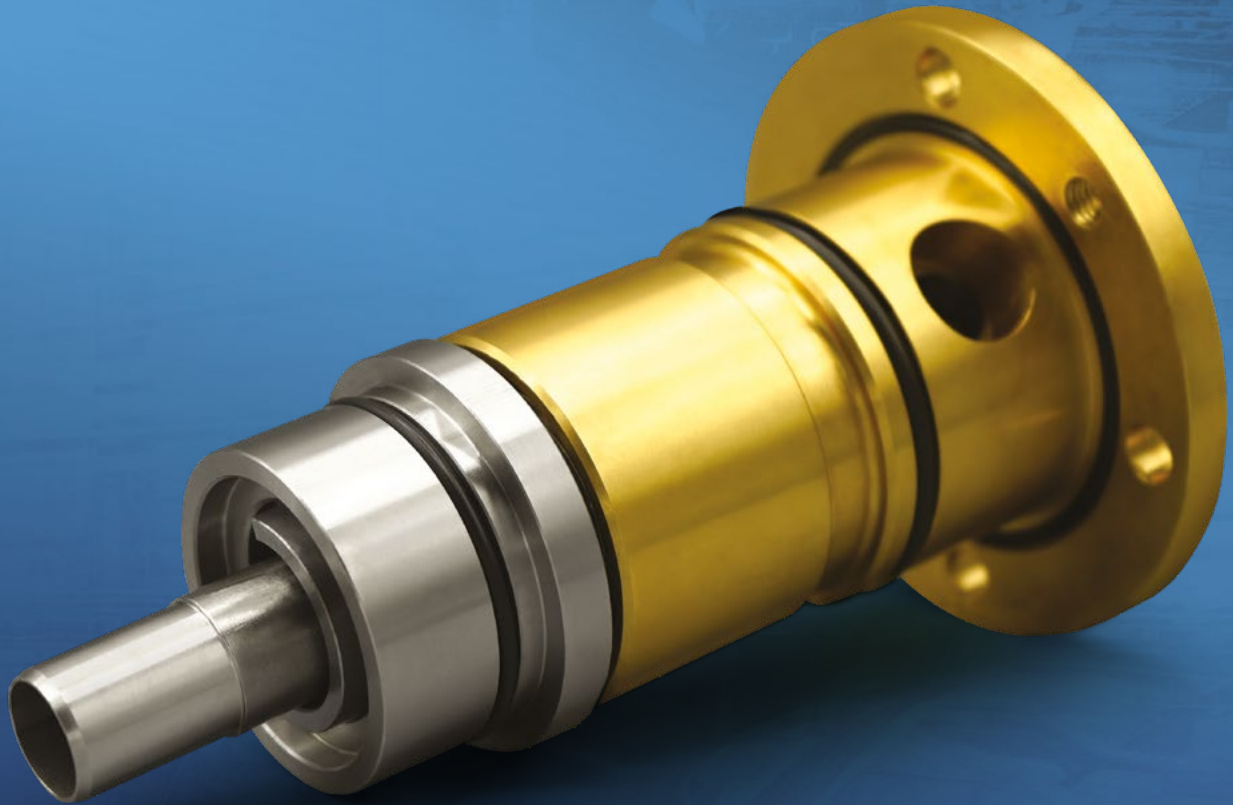




ROTARY UNIONS - GIUNTI ROTANTI

English version  |  Versione italiana



**M**  
series

[www.girol.it/br/](http://www.girol.it/br/)

# M

## ROTARY UNIONS FOR CONTINUOUS CASTING MACHINES

Giunti rotanti per macchine a colata continua

M Series Rotary Unions are used in foundries and designed for integration into continuous casting rolls, allowing water cooling. Silicon carbide seals ensure long service life without maintenance. Built with brass and stainless steel, they feature special bushings resistant to high temperatures, both dry and humid. A version with a metallic bellow is also available, providing an effective anti-vibration system.

I giunti rotanti Serie M sono impiegati nelle fonderie e progettati per essere incassati nei rulli di colata continua, consentendo il raffreddamento ad acqua. Le tenute in carburo di silicio garantiscono lunga durata senza manutenzione. Realizzati in ottone e acciaio inox, dispongono di boccole speciali resistenti alle alte temperature, sia a secco sia in presenza di umidità. È disponibile anche una versione con soffiato metallico, efficace come sistema antivibrazione.



play video  
on Youtube

[www.girol.it](http://www.girol.it)

---

**MONOFLOW IN SHAFT MOUNTING**  
Giunto rotante monovia, montaggio incassato

---

**MM**

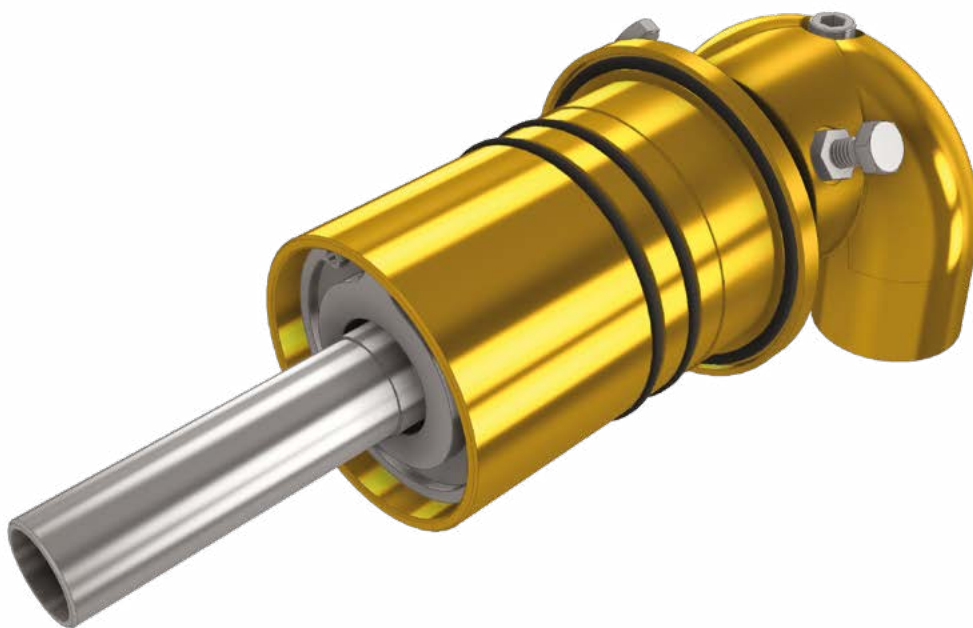


---

**DOUBLE FLOW IN SHAFT MOUNTING**  
Giunto rotante monovia

---

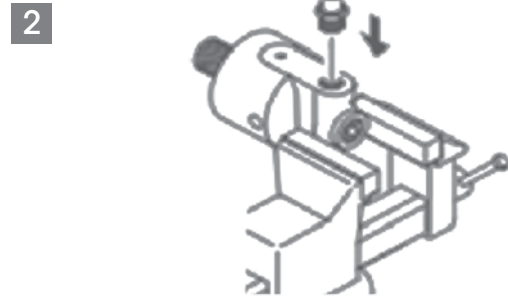
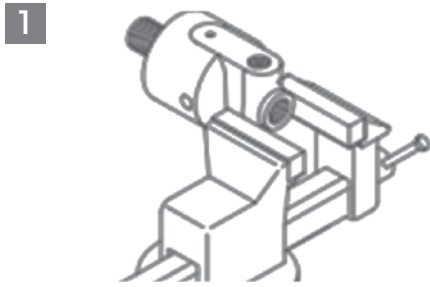
**MD**



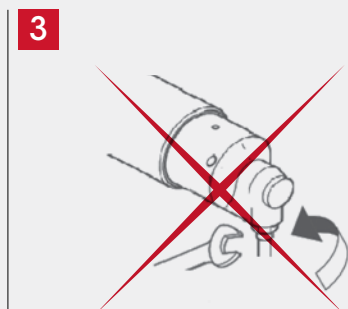
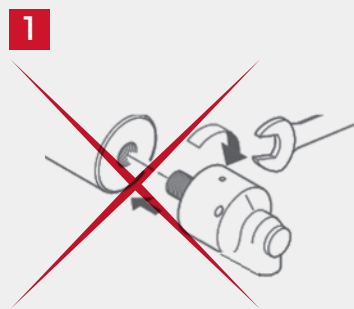


## INSTALLATION installazione

### HOW TO INSTALL // COME INSTALLARE



### HOW TO **NOT** INSTALL // COME **NON** INSTALLARE



**PIPES MUST BE FLEXIBLE!**  
**ITUBI DEVONO ESSERE FLESSIBILI**



## HEADQUARTERS

Girol srl, via San Carlo 8, 20847 Albiate (MB), Italy  
Tel: +39 0362-905204 | Fax: +39 0362-992972 | E-mail: info@girol.it  
[www.girol.it](http://www.girol.it)

## RETAILERS

### EUROPE

#### Finland

LOPITAL OY  
Tel: +358 040 366 0376  
info@lopital.fi

#### France

ROSS FRANCE (FORMERLY DIMAFLUID)  
Tel: +33 1 49 45 65 65  
sales@rossfrance.com

#### Germany

GIROL GERMANY  
Tel: +49 160 500 7299  
info@girol.eu

FAMAGA GROUP OHG  
Tel: +49 7731 919 300  
ft@famaga.de

#### Greece

TECNOPNEUMATIC S.A.  
Tel: +30 210 347 0500  
info@tecnopneumatic.gr

#### Hungary

MONOJET IPARTECHNIKA KFT.  
Tel: +36 70 369 5393  
kapcsolat@monojet.hu

#### Poland

INTROX SP. 200  
Tel: +48 61 651 5331  
tk@introx.biz

#### Czech Republic

KOPATECH S.R.O.  
Tel: +420 797 976 543  
kopatech@seznam.cz

#### Romania

AGMANN TECHNOLOGY S.R.L.  
Tel: +40 31 229 7445  
info@agmann.ro

#### Russia

EUROPROMPRODUCT 000  
Tel: +7 343 345 6663  
solid71@mail.ru

#### Slovenia

ALEŠ KOKOL  
Tel: +386 31 568 950  
a.kokol@agencija-ka.com

#### Spain

LIDERING S.A.  
Tel: +34 934 840 4422  
info@lidering.com

#### Switzerland

TICINO MECHANICS ENGINEERING & TRADING SAGL  
Tel: +41 79 198 6477  
igcp@ticinomechanics.ch

#### UK

INDUSTRIAL CLUTCH PARTS LTD  
Tel: +44 16637 34627  
sales@industrialclutch.com

#### Ukraine

INVEST-M ENGINEERING LTD  
Tel: +38 050 500 2805  
investm1@mail.ru

### ASIA

#### China

SHANGHAI WIND CO LTD  
Tel: +86 21 3990 0269  
toni@ompisrl.com.cn

#### UAE

AL MAIMOON TRADING CO. LLC  
Tel: +971 55 607 8650  
agency@almaimoon.ae

#### India

RKB INTERNATIONAL  
Tel: +91 661 250 0141  
info@rkbinternational.com

#### Indonesia

PT. SUMITECH  
Tel: +62 21 5575 5636  
h.sumitaro@pt-sumitech.com

#### Turkey

GRT MAKİNA SANAYİ TİCARET LİMİTED ŞİRKETİ  
Tel: 0552 667 66 16 - 0 543 317 99 66  
ahmet.kocaturk@girolturkey.com

### AMERICA

#### Brazil

ARTEN FREIOS & EMBREAGENS  
Tel: +55 11 5594 8333  
arten@arten.com

#### Ecuador

BEARLSA  
Tel: +593 9 932 367 93  
dcosta@beralsa.com

### AFRICA

#### Morocco

AFRIC ROULEMENT  
Tel: +212 522 407 010  
import@africroulement.com

Open retailers  
map