



ROTARY UNIONS - GIUNTI ROTANTI

English version  |  Versione italiana



**K**  
series

[www.girol.it/br/](http://www.girol.it/br/)

# K

## UNIVERSAL ROTARY UNION WITH ROTATING SEALS

### Giunti rotanti universali con guarnizioni striscianti

I giunti rotanti Girol serie K sono progettati per resistere a pressioni fino a 70 bar. La tenuta è garantita da guarnizioni striscianti in Viton, sostituibili con materiali alternativi in base alla compatibilità chimica del fluido utilizzato. La parte rotante è realizzata in acciaio al carbonio indurito con trattamento anticorrosivo, mentre il corpo esterno è in alluminio anodizzato. Su richiesta, sono disponibili versioni speciali in acciaio inox AISI 316 o 304, adatte per applicazioni alimentari o per uso con ossigeno.

Girol K Series Rotary Unions are designed to withstand pressures up to 70 bar. The sealing is achieved by sliding seals made of Viton, which can be replaced with alternative materials depending on the chemical compatibility of the working fluid. The rotating part is manufactured from hardened carbon steel with a corrosion-resistant surface treatment, while the outer body is made of anodized aluminum. On request, special versions in stainless steel AISI 316 or 304 are available for food-grade applications or for oxygen service.

#### FLUIDS

Water  
Oil  
Fluids

#### MAX TEMPERATURE

110°C



#### ROTATION

520 rpm

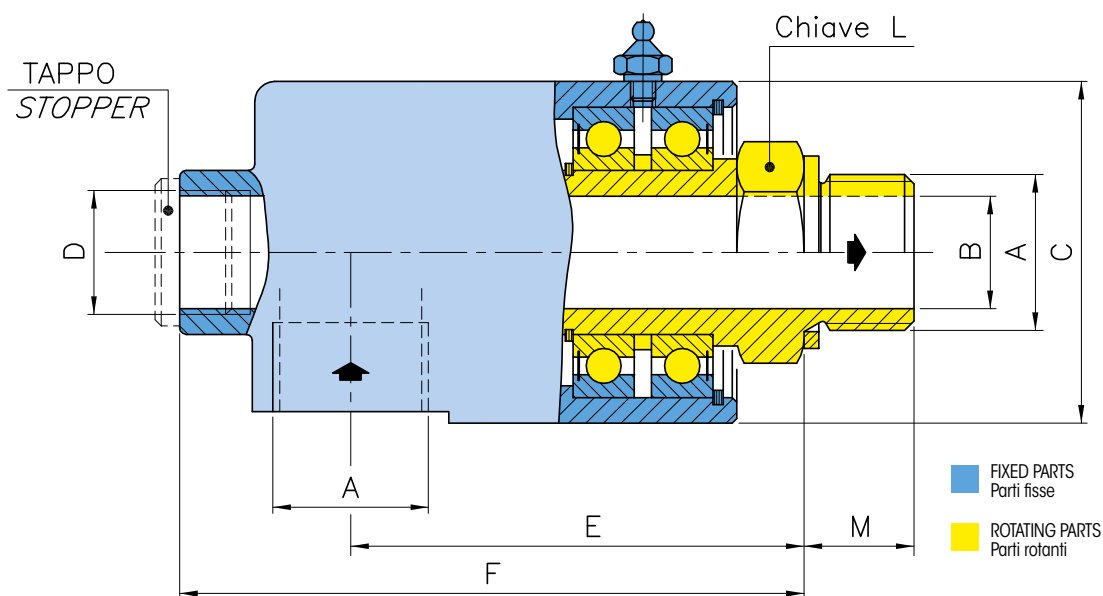
#### MAX PRESSURE

70 bar

# ROTATING UNION MONOFLOW

## Giunto Monovia

# KM



For left thread, the third letter of code change replacing "D" with "S"  
 Per filettature sinistre, la terza lettera del codice varia sostituendo "D" con "S"

CODE Codice	A	B	C	D	E	F	L	M	RPM g/min
KMD025-GY6GX	1/4" BSP	$\frac{6}{0.236}$	$\frac{36}{1.417}$	/	$\frac{60}{2.362}$	$\frac{74}{2.914}$	17	$\frac{14,5}{0,571}$	520
KMD037-GY6GX	3/8" BSP	$\frac{10}{0.394}$	$\frac{44}{1.732}$	1/4" BSP	$\frac{68}{2.677}$	$\frac{90}{3.543}$	22	$\frac{16}{0.630}$	500
KMD050-GY6GX	1/2" BSP	$\frac{13}{0.512}$	$\frac{52}{2.047}$	3/8" BSP	$\frac{76}{2.992}$	$\frac{101}{3.976}$	27	$\frac{18}{0.709}$	450
KMD075-GY6GX	3/4" BSP	$\frac{18}{0.709}$	$\frac{57}{2.244}$	1/2" BSP	$\frac{80}{3.150}$	$\frac{111}{4.370}$	32	$\frac{20}{0.787}$	400
KMD100-GY6GX	1" BSP	$\frac{24}{0.945}$	$\frac{73}{2.874}$	3/4" BSP	$\frac{97}{3.819}$	$\frac{134}{5.276}$	41	$\frac{23}{0.906}$	350
KMD125-GY6GX	1"1/4 BSP	$\frac{32}{1.260}$	$\frac{87}{3.425}$	1" BSP	$\frac{113}{4.449}$	$\frac{158}{6.220}$	50	$\frac{29}{1.142}$	300
KMD150-GY6GX	1"1/2 BSP	$\frac{38}{1.496}$	$\frac{94}{3.701}$	1"1/4" BSP	$\frac{117}{4.606}$	$\frac{166}{6.535}$	55	$\frac{31}{1.220}$	250
KMD200-GY6GX	2" BSP	$\frac{48}{1.890}$	$\frac{108}{4.252}$	1"1/2 BSP	$\frac{131}{5.157}$	$\frac{189}{7.441}$	65	$\frac{35}{1.378}$	200

### Main features

- 1) Ball bearings
- 2) Version for passage with food fluids
- 3) Size from 1/4" to 2" gas

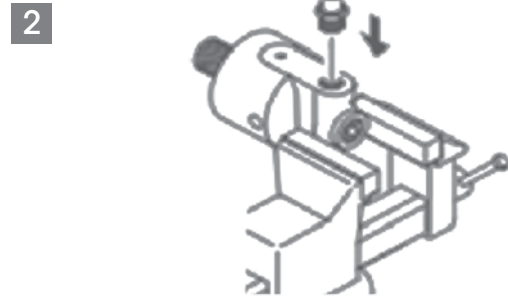
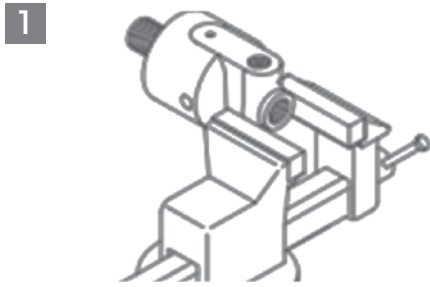
### Caratteristiche principali

- 1) Cuscinetti a sfera
- 2) Versioni per passaggio fluidi alimentari in acciaio inox
- 3) Grandezze standard da 1/4" a 2" gas

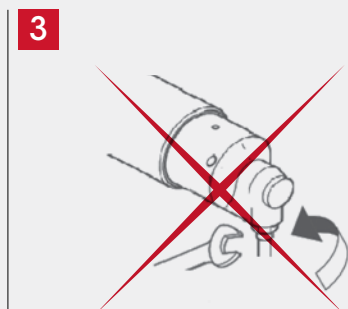
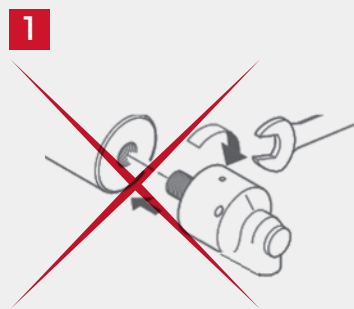


## INSTALLATION installazione

### HOW TO INSTALL // COME INSTALLARE



### HOW TO **NOT** INSTALL // COME **NON** INSTALLARE



**PIPES MUST BE FLEXIBLE!**  
**ITUBI DEVONO ESSERE FLESSIBILI**



## HEADQUARTERS

Girol srl, via San Carlo 8, 20847 Albiate (MB), Italy  
Tel: +39 0362-905204 | Fax: +39 0362-992972 | E-mail: info@girol.it  
[www.girol.it](http://www.girol.it)

## RETAILERS

### EUROPE

#### Finland

LOPITAL OY  
Tel: +358 040 366 0376  
info@lopital.fi

#### France

ROSS FRANCE (FORMERLY DIMAFLUID)  
Tel: +33 1 49 45 65 65  
sales@rossfrance.com

#### Germany

GIROL GERMANY  
Tel: +49 160 500 7299  
info@girol.eu

FAMAGA GROUP OHG  
Tel: +49 7731 919 300  
ft@famaga.de

#### Greece

TECNOPNEUMATIC S.A.  
Tel: +30 210 347 0500  
info@tecnopneumatic.gr

#### Hungary

MONOJET IPARTECHNIKA KFT.  
Tel: +36 70 369 5393  
kapcsolat@monojet.hu

#### Poland

INTROX SP. 200  
Tel: +48 61 651 5331  
tk@introx.biz

#### Czech Republic

KOPATECH S.R.O.  
Tel: +420 797 976 543  
kopatech@seznam.cz

#### Romania

AGMANN TECHNOLOGY S.R.L.  
Tel: +40 31 229 7445  
info@agmann.ro

#### Russia

EUROPROMPRODUCT 000  
Tel: +7 343 345 6663  
solid71@mail.ru

#### Slovenia

ALEŠ KOKOL  
Tel: +386 31 568 950  
a.kokol@agencija-ka.com

#### Spain

LIDERING S.A.  
Tel: +34 934 840 4422  
info@lidering.com

#### Switzerland

TICINO MECHANICS ENGINEERING & TRADING SAGL  
Tel: +41 79 198 6477  
igcp@ticinomechanics.ch

#### UK

INDUSTRIAL CLUTCH PARTS LTD  
Tel: +44 16637 34627  
sales@industrialclutch.com

#### Ukraine

INVEST-M ENGINEERING LTD  
Tel: +38 050 500 2805  
investm1@mail.ru

### ASIA

#### China

SHANGHAI WIND CO LTD  
Tel: +86 21 3990 0269  
toni@ompisrl.com.cn

#### UAE

AL MAIMOON TRADING CO. LLC  
Tel: +971 55 607 8650  
agency@almaimoon.ae

#### India

RKB INTERNATIONAL  
Tel: +91 661 250 0141  
info@rkbinternational.com

#### Indonesia

PT. SUMITECH  
Tel: +62 21 5575 5636  
h.sumitaro@pt-sumitech.com

#### Turkey

GRT MAKİNA SANAYİ TİCARET LİMİTED ŞİRKETİ  
Tel: 0552 667 66 16 - 0 543 317 99 66  
ahmet.kocaturk@girolturkey.com

### AMERICA

#### Brazil

ARTEN FREIOS & EMBREAGENS  
Tel: +55 11 5594 8333  
arten@arten.com

#### Ecuador

BEARLSA  
Tel: +593 9 932 367 93  
dcosta@beralsa.com

### AFRICA

#### Morocco

AFRIC ROULEMENT  
Tel: +212 522 407 010  
import@africroulement.com

Open retailers  
map