




ROTARY UNIONS - GIUNTI ROTANTI

English version  |  Versione italiana



Y INOX

series

www.girol.it/br/

STAINLESS STEEL SWIVEL JOINTS

Snodi girevoli in acciaio inox

Y-inox series Swivel Joints are entirely made of AISI 316 stainless steel. They are designed to be mounted between a movable flexible hose and a rigid component of a machine in order to allow and compensate rotations: the movement of the stem on his own axis prevents hose damage. Y-inox series Swivel Joints are particularly recommended for the passage of oxygen and they are mainly used in chemical, marine, steel and food industries. Thanks to their versatility, these Swivel Joints can be used in any other industrial sectors, where machinery is equipped with moving flexible hoses.

We produce Swivel Joints of any size and versions with more rotating components, with all kind of threading available on the market.

I giunti girevoli della Serie Y-INOX sono realizzati in AISI 316. Vengono montati tra un tubo flessibile e una parte rigida di una macchina, per compensare torsioni e rotazioni occasionali. Il movimento del perno sul proprio asse impedisce il danneggiamento del tubo.

Progettati per il passaggio di ossigeno, sono utilizzati soprattutto nei settori chimico, marino, siderurgico e alimentare. La caratteristica versatilità consente il loro impiego in qualsiasi altro settore industriale, ovunque vi siano mezzi, attrezzature o impianti dotati di tubi flessibili in movimento.

Realizziamo giunti girevoli di qualsiasi grandezza, anche composti da più elementi rotatori, con tutti i tipi di flange presenti sul mercato.

FLUIDS

Oxygen
Water
Air
Hot Oil

MAX TEMPERATURE

180 °C

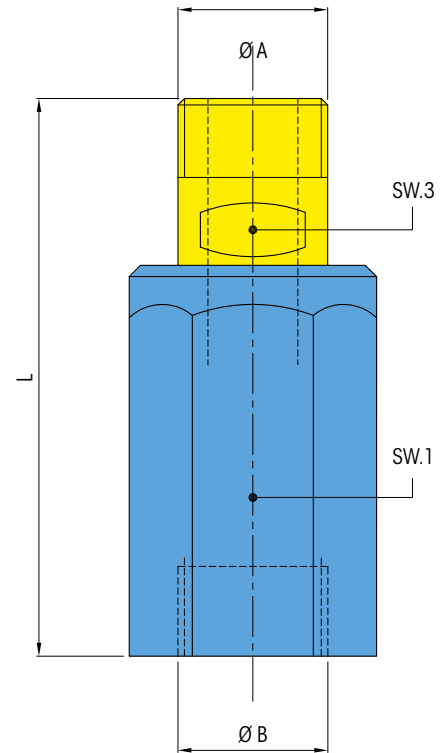
MAX PRESSURE

350 bar

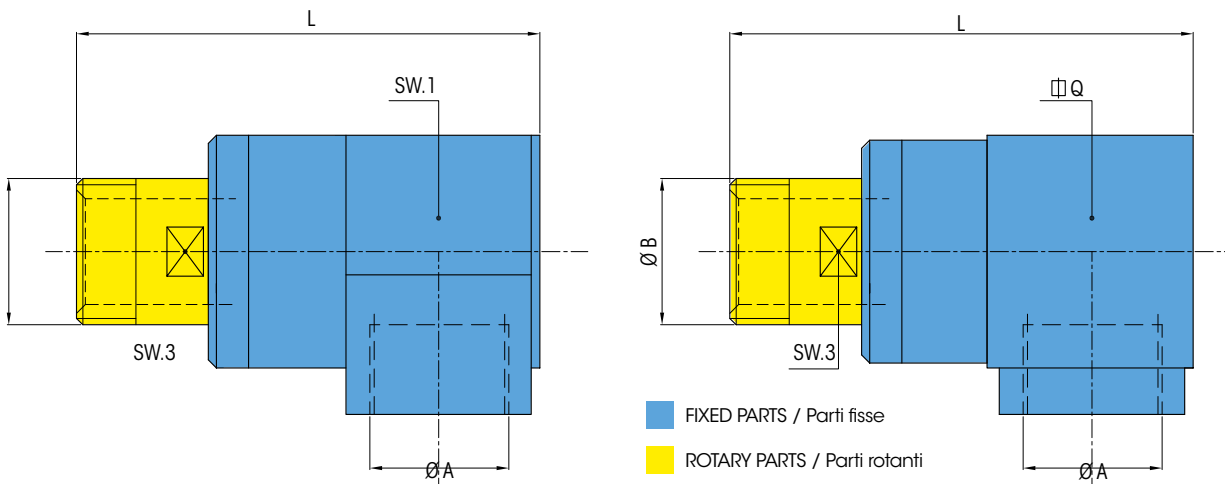


AXIAL VERSION - STAINLESS STEEL AISI 316
Versione assiale - Aisi 316

CODE-CODICE	A	B	L	SW.1	SW.3	Max. Press.
YD025AHGN6GN	1/4"	1/4"	75	27	11	350 Bar
YD037AHGN6GN	3/8"	3/8"	88	34	14	350 Bar
YD050AHGN6GN	1/2"	1/2"	101	36	18	300 Bar
YD075AHGN6GN	3/4"	3/4"	110	45	24	250 Bar
YD100AHGN6GN	1"	1"	124	∅ 55	30	250 Bar
YD125AHGN6GN	1 1/4"	1" 1/4"	129	∅ 60	38	180 Bar
YD150AHGN6GN	1 1/2"	1" 1/2"	138	∅ 75	41	150 Bar
YD200AHGN6GN	2"	2"	149	∅ 85	55	150 Bar



RADIAL VERSION - STAINLESS STEEL AISI 316
Versione radiale - Aisi 316

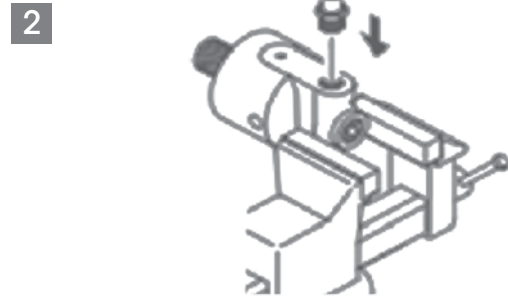
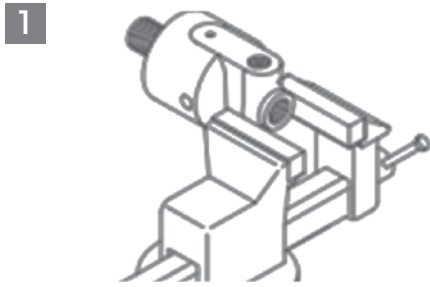


CODE - CODICE	A	B	L	SW.1	SW.3	Q	MAX PRESSURE (bar)
Y-D025HGN6GN	1/4"	1/4"	78	32	11	/	350
Y-D037HGN6GN	3/8"	3/8"	98	36	14	/	350
Y-D050HGN6GN	1/2"	1/2"	106	46	18	/	300
Y-D075HGN6GN	3/4"	3/4"	118	50	24	/	250
Y-D100HGN6GN	1"	1"	142	60	30	/	250
Y-D125HGN6GN	1 1/4"	1 1/4"	155	/	38	60	180
Y-D150HGN6GN	1 1/2"	1 1/2"	170	/	41	75	150
Y-D200HGN6GN	2"	2"	190	/	55	95	250

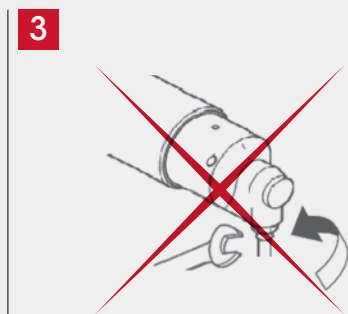
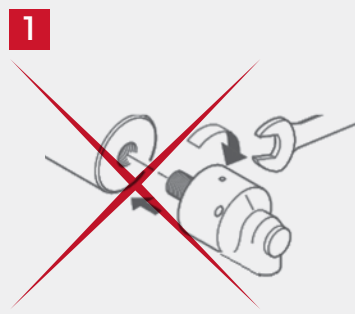


INSTALLATION installazione

HOW TO INSTALL // COME INSTALLARE



HOW TO **NOT** INSTALL // COME **NON** INSTALLARE



PIPES MUST BE FLEXIBLE!
ITUBI DEVONO ESSERE FLESSIBILI



HEADQUARTERS

Girol srl, via San Carlo 8, 20847 Albiate (MB), Italy
Tel: +39 0362-905204 | Fax: +39 0362-992972 | E-mail: info@girol.it
www.girol.it

RETAILERS

EUROPE

Finland

LOPITAL OY
Tel: +358 040 366 0376
info@lopital.fi

France

ROSS FRANCE (FORMERLY DIMAFLUID)
Tel: +33 1 49 45 65 65
sales@rossfrance.com

Germany

GIROL GERMANY
Tel: +49 160 500 7299
info@girol.eu

FAMAGA GROUP OHG
Tel: +49 7731 919 300
ft@famaga.de

Greece

TECNOPNEUMATIC S.A.
Tel: +30 210 347 0500
info@tecnopneumatic.gr

Hungary

MONOJET IPARTECHNIKA KFT.
Tel: +36 70 369 5393
kapcsolat@monojet.hu

Poland

INTROX SP. 200
Tel: +48 61 651 5331
tk@introx.biz

Czech Republic

KOPATECH S.R.O.
Tel: +420 797 976 543
kopatech@seznam.cz

Romania

AGMANN TECHNOLOGY S.R.L.
Tel: +40 31 229 7445
info@agmann.ro

Russia

EUROPROMPRODUCT 000
Tel: +7 343 345 6663
solid71@mail.ru

Slovenia

ALEŠ KOKOL
Tel: +386 31 568 950
a.kokol@agencija-ka.com

Spain

LIDERING S.A.
Tel: +34 934 840 4422
info@lidering.com

Switzerland

TICINO MECHANICS ENGINEERING & TRADING SAGL
Tel: +41 79 198 6477
igcp@ticinomechanics.ch

UK

INDUSTRIAL CLUTCH PARTS LTD
Tel: +44 16637 34627
sales@industrialclutch.com

Ukraine

INVEST-M ENGINEERING LTD
Tel: +38 050 500 2805
investm1@mail.ru

ASIA

China

SHANGHAI WIND CO LTD
Tel: +86 21 3990 0269
toni@ompisrl.com.cn

UAE

AL MAIMOON TRADING CO. LLC
Tel: +971 55 607 8650
agency@almaimoon.ae

India

RKB INTERNATIONAL
Tel: +91 661 250 0141
info@rkbinternational.com

Indonesia

PT. SUMITECH
Tel: +62 21 5575 5636
h.sumitaro@pt-sumitech.com

Turkey

GRT MAKİNA SANAYİ TİCARET LİMİTED ŞİRKETİ
Tel: 0552 667 66 16 - 0 543 317 99 66
ahmet.kocaturk@girolturkey.com

AMERICA

Brazil

ARTEN FREIOS & EMBREAGENS
Tel: +55 11 5594 8333
arten@arten.com

Ecuador

BEARLSA
Tel: +593 9 932 367 93
dcosta@beralsa.com

AFRICA

Morocco

AFRIC ROULEMENT
Tel: +212 522 407 010
import@africroulement.com

Open retailers
map