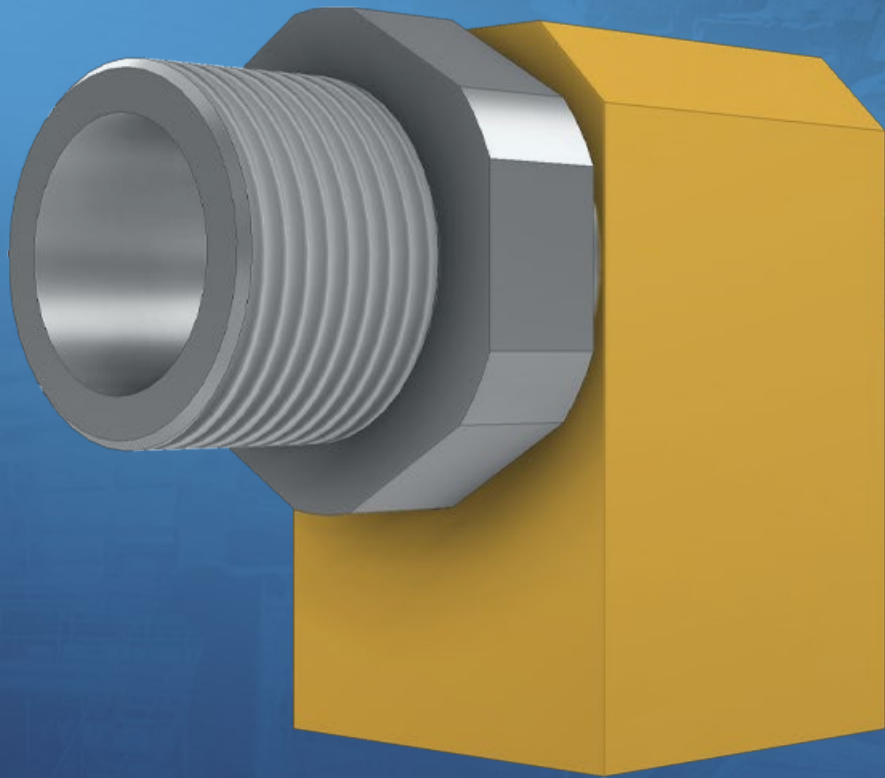




ROTARY UNIONS - GIUNTI ROTANTI

English version  |  Versione italiana



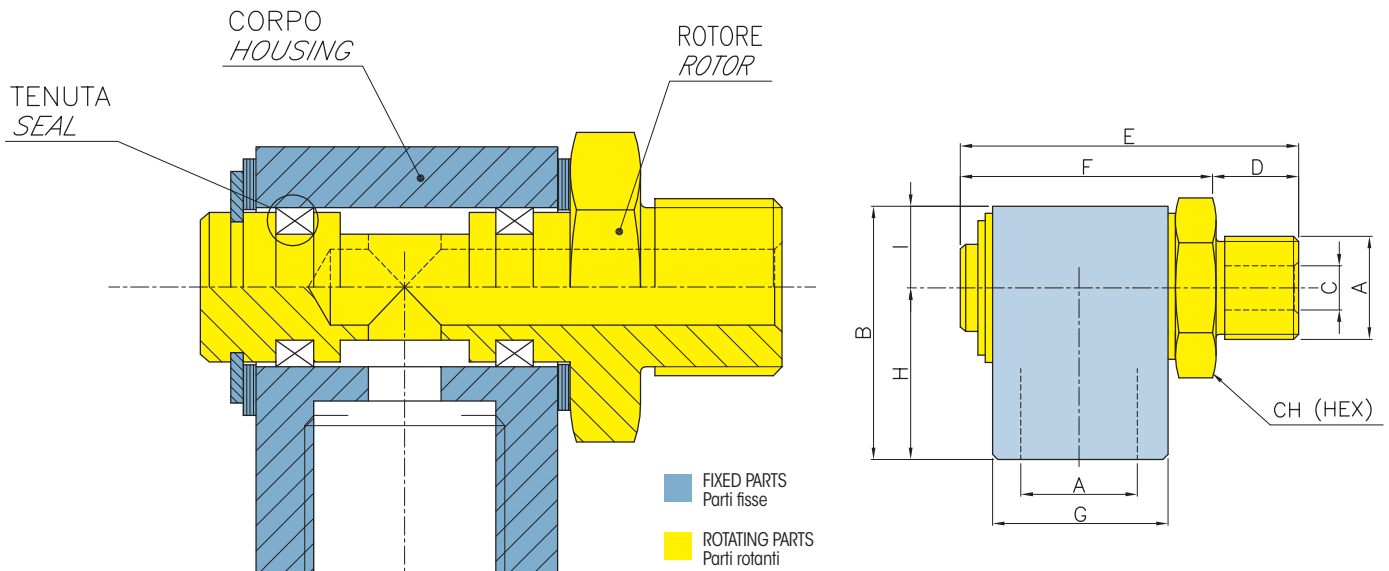
**RR**  
series

[www.girol.it/br/](http://www.girol.it/br/)

# RR

## ROTATING SWIVEL LUBRICATION - VERY LOW SPEED

### Snodo girevole per lubrificazione - Velocità molto basse



<b>MAX OIL PRESS</b>	<i>pressione max olio</i>	12 bar
<b>MAX AIR PRESS</b>	<i>pressione max aria</i>	10 bar
<b>MAX TEMPERATURE</b>	<i>temperatura max</i>	60 °C

#### Main features

- 1) Sizes from 1/8" to 1"
- 2) Niployed steel rotor
- 3) BSP/NPT or metric thread
- 4) Brass housing

#### Caratteristiche principali

- 1) Grandezze da 1/8" a 1"
- 2) Rotore in acciaio nichelato
- 3) Filettature GAS/BSP o metriche
- 4) Corpo in ottone

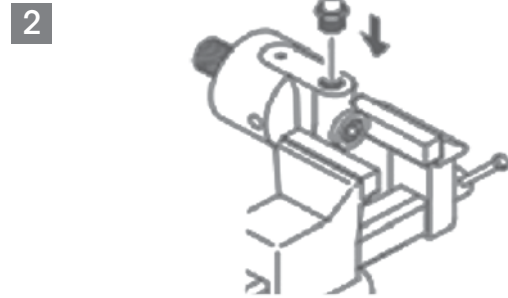
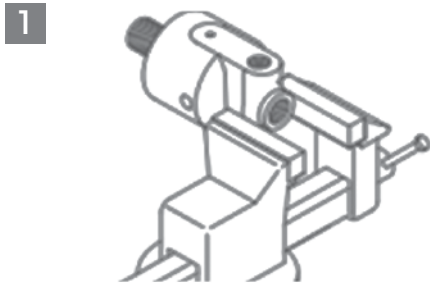
For left thread, the third letter of code change replacing "D" with "S"  
 Per filettature sinistre, la terza lettera del codice varia sostituendo "D" con "S"

CODE Codice	A	B	C	D	E	F	G	H	I	CH.
RRD012-GB6GS	1/8" BSP	29 1,141	3 0,128	7,5 0,295	33 1,300	25,5 1,003	15 0,590	21 0,826	8 0,314	14
RRD025-GB6GS	1/4" BSP	31 1,220	5 0,196	12 0,472	43 1,692	31 1,220	20 0,747	21 0,826	10 0,393	19
RRD037-GB6GS	3/8" BSP	40 1,574	7 0,275	13 0,511	54 2,125	41 1,614	28 1,102	27 1,063	13 0,511	24
RRD050-GB6GS	1/2" BSP	46 1,811	11 0,433	16 0,629	60 2,362	44 1,732	30 1,181	31 1,220	15 0,590	30
RRD075-GB6GS	3/4" BSP	58 2,283	18 0,708	20 0,787	72 2,834	52 2,047	35 1,377	39,5 1,555	18,5 0,728	32
RRD100-GB6GS	1" BSP	68 2,677	23 0,905	23 0,905	86 3,385	63 2,480	42 1,653	46 1,811	22 0,866	38
RRD081-GB6GS	M8X1	29 1,141	3 0,128	7,5 0,295	33 1,300	25,5 1,003	15 0,590	21 0,826	8 0,314	14
RRD101-GB6GS	M10X1	29 1,141	3 0,128	7,5 0,295	33 1,300	25,5 1,003	15 0,590	21 0,826	8 0,314	14

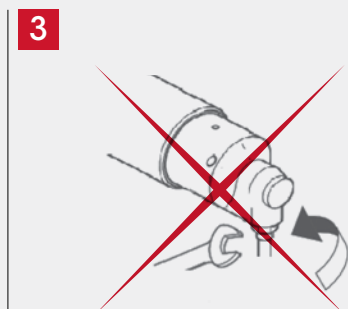
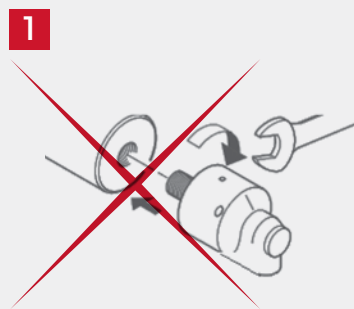


## INSTALLATION installazione

### HOW TO INSTALL // COME INSTALLARE



### HOW TO **NOT** INSTALL // COME **NON** INSTALLARE



**PIPES MUST BE FLEXIBLE!**  
**ITUBI DEVONO ESSERE FLESSIBILI**



## HEADQUARTERS

Girol srl, via San Carlo 8, 20847 Albiate (MB), Italy  
Tel: +39 0362-905204 | Fax: +39 0362-992972 | E-mail: info@girol.it  
[www.girol.it](http://www.girol.it)

## RETAILERS

Open retailers  
map

## EUROPE

### Finland

LOPITAL OY  
Tel: +358 040 366 0376  
info@lopital.fi

### France

ROSS FRANCE (FORMERLY DIMAFLUID)  
Tel: +33 1 49 45 65 65  
sales@rossfrance.com

### Germany

GIROL GERMANY  
Tel: +49 160 500 7299  
info@girol.eu

FAMAGA GROUP OHG  
Tel: +49 7731 919 300  
ft@famaga.de

### Greece

TECNOPNEUMATIC S.A.  
Tel: +30 210 347 0500  
info@tecnopneumatic.gr

### Hungary

MONOJET IPARTECHNIKA KFT.  
Tel: +36 70 369 5393  
kapcsolat@monojet.hu

### Poland

INTROX SP. 200  
Tel: +48 61 651 5331  
tk@introx.biz

### Czech Republic

KOPATECH S.R.O.  
Tel: +420 797 976 543  
kopatech@seznam.cz

### Romania

AGMANN TECHNOLOGY S.R.L.  
Tel: +40 31 229 7445  
info@agmann.ro

### Russia

EUROPROMPRODUCT 000  
Tel: +7 343 345 6663  
solid71@mail.ru

### Slovenia

ALEŠ KOKOL  
Tel: +386 31 568 950  
a.kokol@agencija-ka.com

### Spain

LIDERING S.A.  
Tel: +34 934 840 4422  
info@lidering.com

### Switzerland

TICINO MECHANICS ENGINEERING & TRADING SAGL  
Tel: +41 79 198 6477  
igcp@ticinomechanics.ch

### UK

INDUSTRIAL CLUTCH PARTS LTD  
Tel: +44 16637 34627  
sales@industrialclutch.com

### Ukraine

INVEST-M ENGINEERING LTD  
Tel: +38 050 500 2805  
investm1@mail.ru

## ASIA

### China

SHANGHAI WIND CO LTD  
Tel: +86 21 3990 0269  
toni@ompisrl.com.cn

### UAE

AL MAIMOON TRADING CO. LLC  
Tel: +971 55 607 8650  
agency@almaimoon.ae

### India

RKB INTERNATIONAL  
Tel: +91 661 250 0141  
info@rkbinternational.com

### Indonesia

PT. SUMITECH  
Tel: +62 21 5575 5636  
h.sumitaro@pt-sumitech.com

### Turkey

GRT MAKİNA SANAYİ TİCARET LİMİTED ŞİRKETİ  
Tel: 0552 667 66 16 - 0 543 317 99 66  
ahmet.kocaturk@girolturkey.com

## AMERICA

### Brazil

ARTEN FREIOS & EMBREAGENS  
Tel: +55 11 5594 8333  
arten@arten.com

### Ecuador

BEARLSA  
Tel: +593 9 932 367 93  
dcosta@beralsa.com

## AFRICA

### Morocco

AFRIC ROULEMENT  
Tel: +212 522 407 010  
import@africroulement.com