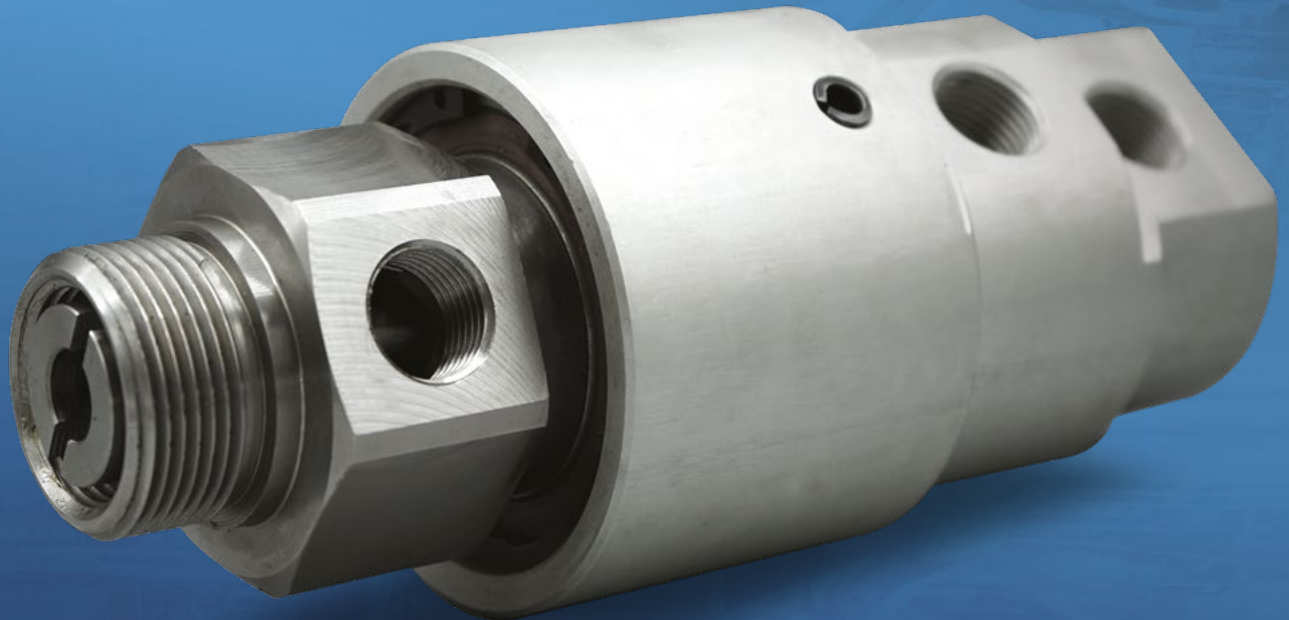




ROTARY UNIONS - GIUNTI ROTANTI

English version  |  Versione italiana



D
series

www.girol.it/br/

D

DUAL FLOW INDEPENDENT ROTARY UNIONS

Giunti rotanti a doppio passaggio indipendente

Girol Series D Rotary Unions are designed for the transfer of water, hydraulic oil, or gas at temperatures up to 100 °C.

They feature a dual mechanical seal, allowing the simultaneous rotation of two fluids at different pressures, and are equipped with ball bearings to ensure high performance at elevated rotational speeds.

Construction materials include AISI 420 stainless steel for the rotor and aluminum for the housing. The mechanical seal is achieved through the contact between resin-impregnated graphite and hardened stainless steel.

I giunti rotanti Girol Serie D sono progettati per il passaggio di acqua, olio idraulico o gas, fino a una temperatura massima di 100 °C.

Sono dotati di doppia tenuta meccanica, che consente la rotazione di due fluidi a pressioni differenti, e montano cuscinetti a sfera per garantire prestazioni elevate anche ad alte velocità.

I materiali costruttivi includono AISI 420 per il rotore e alluminio per il corpo.

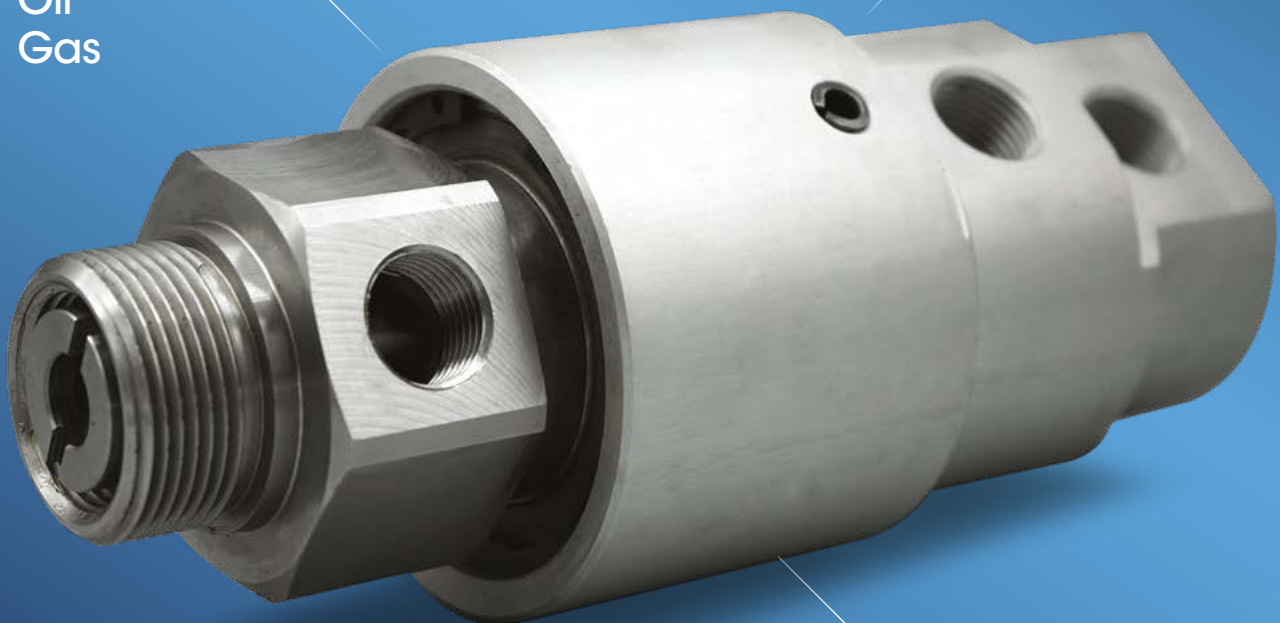
La tenuta meccanica è ottenuta per contatto tra grafite impregnata di resina e acciaio inox temprato.

FLUIDS

Water
Oil
Gas

ROTATION

1,000 rpm

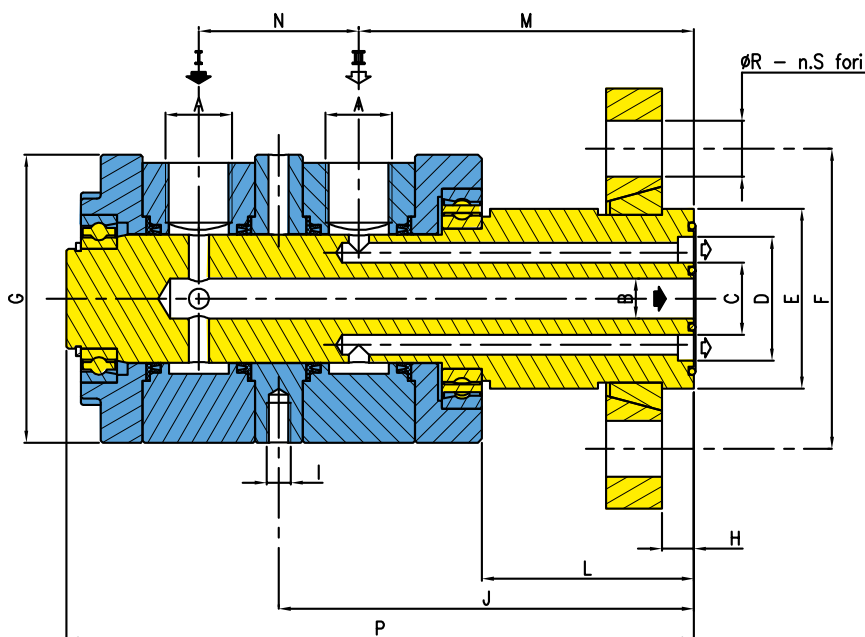


MAX PRESSURE

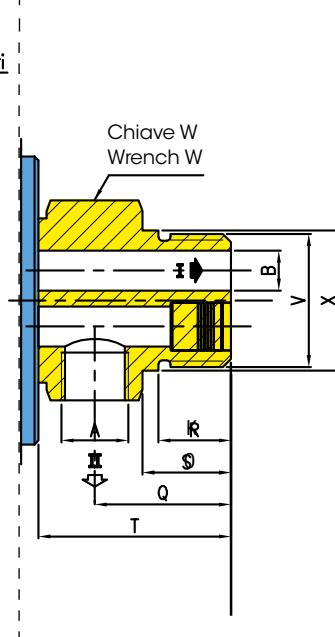
11 bar

play video
on Youtube

1 FLANGED VERSION Versione attacco a flangia



2 THREAD VERSION Versione attacco filettato



1 FLANGED VERSION / Versione attacco a flangia

For left-hand threads, the third letter of the code changes by replacing "D" with "S".
Per filettature sinistre, la terza lettera del codice varia sostituendo "D" con "S"

FIXED PARTS / Parti fisse

ROTARY PARTS / Parti rotanti

FOR WATER Per Acqua	FOR OIL Per olio	A (BSP)	B	C	D	E [F7]	F	G	H	I	J	L	M	N	P	R	S
D-0025-GY3LS	D-0025-GY2LS	1/4"	6 0,236	13,3 0,524	22,7 0,894	36 1,417	65 2,559	72 2,835	6 0,236	M6	100 3,937	49 1,929	80 3,150	40 1,575	153 6,024	14 0,551	4
D-0037-GY3LS	D-0037-GY2LS	3/8"	10 0,394	18 0,709	31 1,220	45 1,772	75 2,953	72 2,835	8 0,315	M6	104 4,094	53 2,087	84 3,307	40 1,575	157 6,181	14 0,551	4
D-0050-GY3LS	D-0050-GY2LS	1/2"	13 0,512	21,5 0,846	40,5 1,594	52 2,047	85 3,346	85 3,346	8 0,315	M10	115 4,528	54 2,126	89,5 3,524	50 1,969	178 7,008	14 0,551	4
D-0075-GY3LS	D-0075-GY2LS	3/4"	18 0,709	27 1,063	45 1,772	59 2,323	100 3,937	93 3,661	10 0,394	M10	135 5,315	66 2,598	105 4,134	60 2,362	208 8,189	18 0,709	4
D-0100-GY3LS	D-0100-GY2LS	1"	24 0,945	33 1,299	54 2,126	65 2,559	100 3,937	126 4,961	10 0,394	M10	147 5,787	64 2,520	113,7 4,476	66,5 2,618	235,5 9,272	18 0,709	4

2 THREAD VERSION / Versione attacco filettato

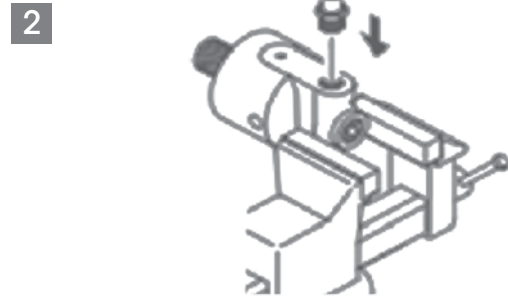
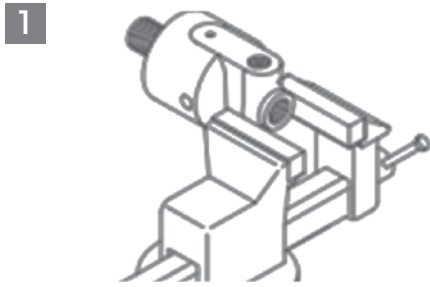
For left-hand threads, the third letter of the code changes by replacing "D" with "S".
Per filettature sinistre, la terza lettera del codice varia sostituendo "D" con "S"

FOR WATER Per Acqua	FOR OIL Per olio	A (BSP)	B	Q	K	O	T	W	V (BSP)	X [f7]	Y	rpm
D-D025-GY3GS	D-D025-GY2GS	1/4"	8 0,315	33 1,299	17 0,669	21 0,827	47 1,850	50	3/4"	30 1,181	98 3,858	2.800
D-D037-GY3GS	D-D037-GY2GS	3/8"	10 0,394	34 1,339	18 0,709	22 0,866	48 1,890	50	1"	35 1,378	99 3,898	2.100
D-D050-GY3GS	D-D050-GY2GS	1/2"	13 0,512	44 1,732	20 0,787	25 0,984	61 2,402	60	1 1/4"	45 1,772	122 4,803	1.700
D-D075-GY3GS	D-D075-GY2GS	3/4"	18 0,709	51 2,008	24 0,945	30 1,181	72 2,835	65	1 1/2"	50 1,969	141 5,551	1.500
D-D100-GY3GS	D-D100-GY2GS	1"	24 0,945	63 2,480	31 1,220	39 1,535	91 3,583	82	2"	60 2,362	174 6,850	1.200

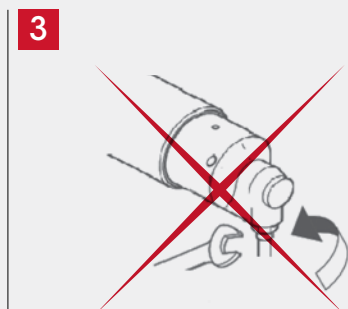
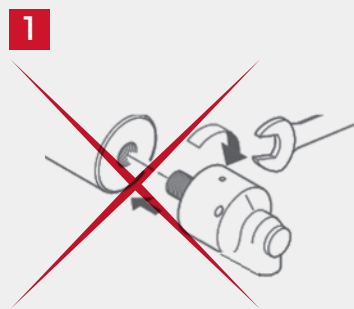


INSTALLATION installazione

HOW TO INSTALL // COME INSTALLARE



HOW TO **NOT** INSTALL // COME **NON** INSTALLARE



PIPES MUST BE FLEXIBLE!
ITUBI DEVONO ESSERE FLESSIBILI



HEADQUARTERS

Girol srl, via San Carlo 8, 20847 Albiate (MB), Italy
Tel: +39 0362-905204 | Fax: +39 0362-992972 | E-mail: info@girol.it
www.girol.it

RETAILERS

Open retailers
map

EUROPE

Finland

LOPITAL OY
Tel: +358 040 366 0376
info@lopital.fi

France

ROSS FRANCE (FORMERLY DIMAFLUID)
Tel: +33 1 49 45 65 65
sales@rossfrance.com

Germany

GIROL GERMANY
Tel: +49 160 500 7299
info@girol.eu

FAMAGA GROUP OHG
Tel: +49 7731 919 300
ft@famaga.de

Greece

TECNOPNEUMATIC S.A.
Tel: +30 210 347 0500
info@tecnopneumatic.gr

Hungary

MONOJET IPARTECHNIKA KFT.
Tel: +36 70 369 5393
kapcsolat@monojet.hu

Poland

INTROX SP. 200
Tel: +48 61 651 5331
tk@introx.biz

Czech Republic

KOPATECH S.R.O.
Tel: +420 797 976 543
kopatech@seznam.cz

Romania

AGMANN TECHNOLOGY S.R.L.
Tel: +40 31 229 7445
info@agmann.ro

Russia

EUROPROMPRODUCT 000
Tel: +7 343 345 6663
solid71@mail.ru

Slovenia

ALEŠ KOKOL
Tel: +386 31 568 950
a.kokol@agencija-ka.com

Spain

LIDERING S.A.
Tel: +34 934 840 4422
info@lidering.com

Switzerland

TICINO MECHANICS ENGINEERING & TRADING SAGL
Tel: +41 79 198 6477
igcp@ticinomechanics.ch

UK

INDUSTRIAL CLUTCH PARTS LTD
Tel: +44 16637 34627
sales@industrialclutch.com

Ukraine

INVEST-M ENGINEERING LTD
Tel: +38 050 500 2805
investm1@mail.ru

ASIA

China

SHANGHAI WIND CO LTD
Tel: +86 21 3990 0269
toni@ompisrl.com.cn

UAE

AL MAIMOON TRADING CO. LLC
Tel: +971 55 607 8650
agency@almaimoon.ae

India

RKB INTERNATIONAL
Tel: +91 661 250 0141
info@rkbinternational.com

Indonesia

PT. SUMITECH
Tel: +62 21 5575 5636
h.sumitaro@pt-sumitech.com

Turkey

GRT MAKİNA SANAYİ TİCARET LİMİTED ŞİRKETİ
Tel: 0552 667 66 16 - 0 543 317 99 66
ahmet.kocaturk@girolturkey.com

AMERICA

Brazil

ARTEN FREIOS & EMBREAGENS
Tel: +55 11 5594 8333
arten@arten.com

Ecuador

BEARLSA
Tel: +593 9 932 367 93
dcosta@beralsa.com

AFRICA

Morocco

AFRIC ROULEMENT
Tel: +212 522 407 010
import@africroulement.com