

B

| | |
|---------------------------------------|-------------|
| Constricting Features | B-1 |
| Element Descriptions | B-3 |
| CB Elements | B-5 |
| Technical and Dimensional Data | B-9 |
| Clutch and Brake Applications | B-15 |
| Mounting Components | B-40 |
| VC Elements | B-45 |
| Technical and Dimensional | B-49 |
| Clutch and Brake Applications | B-57 |
| Mounting Components | B-77 |
| CM Elements | B-88 |
| Selection Procedure | B-92 |

How They Work

CB, CM and VC elements utilize a rugged tire-like neoprene and cord tube that expands radially inward when pressurized. The constricting tube forces friction shoes against an outer cylindrical drum surface. The rate at which the tube is pressurized determines the rate at which element torque increases. Final tube pressure determines the element torque capacity.

Design Features

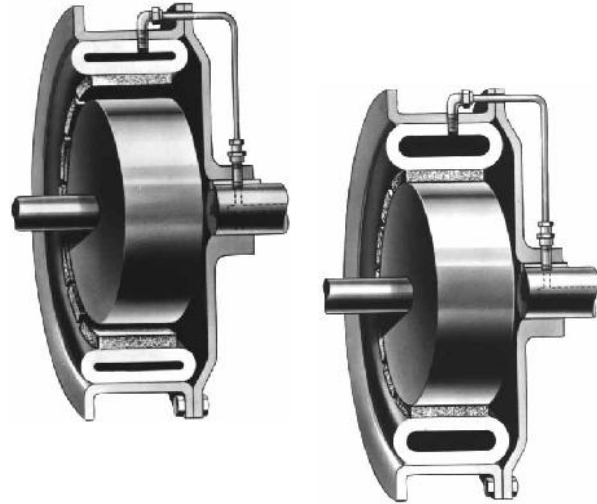


Plate Clutch



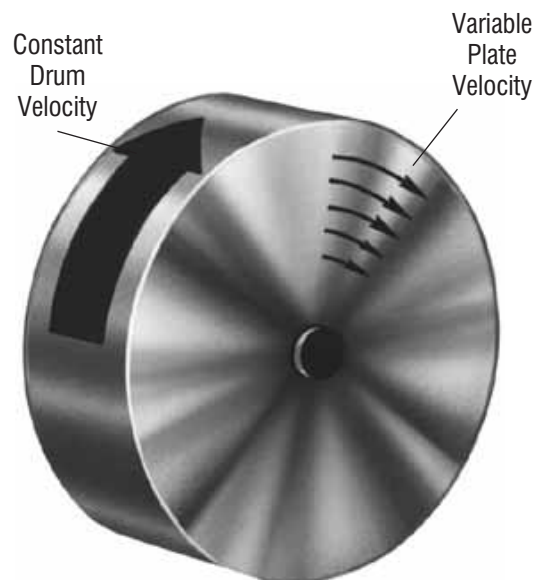
Drum Clutch

- **Force applied at maximum radius from axis**

Airflex constricting elements concentrates the frictional force on the outside drum diameter thereby achieving maximum torque. The torque lever arm is the drum radius, not a reduced radius as occurs in plate clutches. Not only is the force generated at the optimum radius, it is also applied uniformly around the drum circumference.

- **Uniform contact velocity**

Friction shoe contact occurs across the cylindrical surface of the drum where the contact velocity is constant unlike plate types where the contact velocity varies across the friction plate face.

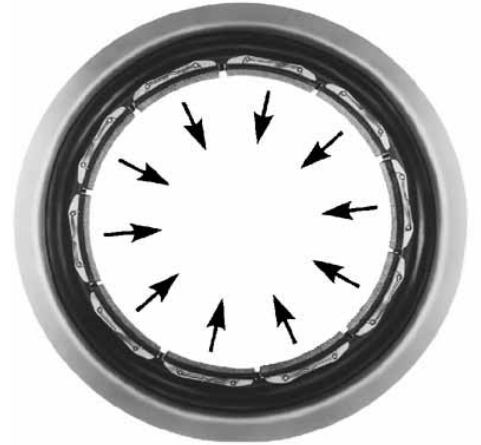


- **Self-adjustment**

As friction surfaces wear, the tube constricts further and compensates for the wear. Normal wear will not reduce torque capacity.

- **No lubrication**

There are no close fitting sliding components which require lubrication.



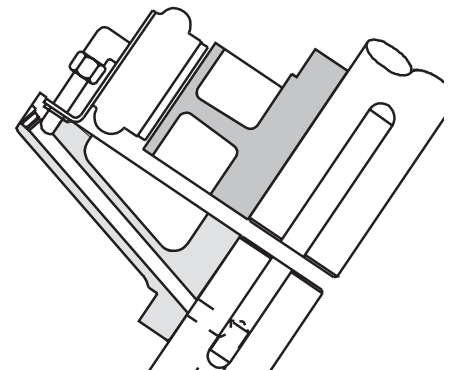
- **Centrifugal force assists clutch disengagement**

Upon release of tube pressure, centrifugal force, acting on the friction shoes at the rotating element, helps retract the shoes away from the drum surface. The centrifugal effect expels the tube pressurizing media and minimizes the possibility of disengaged friction shoe drag.



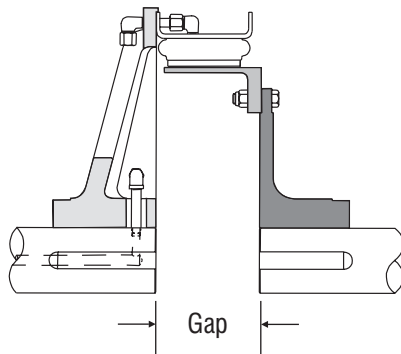
- **Operates in any plane**

The constricting design combined with centrifugal effects permits clutch operation in any plane. A plate clutch operates best in a vertical plane.

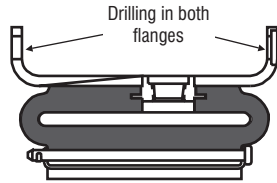


- **Gap mounting**

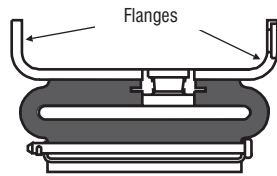
The constricting drum design allows a gap between the ends of the driving and driven shafts. This gap provides a space through which the element and drum can be removed to permit shaft alignment, clutch maintenance without disturbing existing shaft alignment and the removal of driving or driven components.



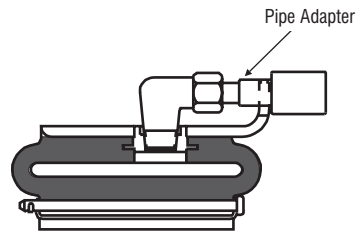
Elements are described by the number and type of fitting used to make the connection from the tube valve to the rim flange, the type of friction material and any special rim features. Since most of the special rim features pertain to CB elements only, the CB cross section has been used in the illustrations. A glossary of commonly used descriptive terms with their abbreviations in parenthesis follow:



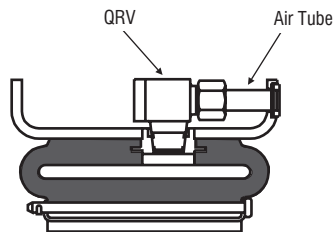
Dual drilled (DD) - Both flanges of the rim are drilled for air and/or mounting connections. Required for one of the elements used in a dual element and for air bridge mounting.



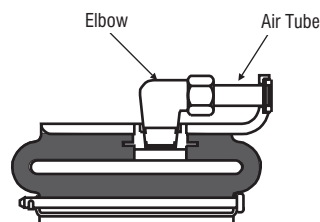
Dual flange (DFL) - A CB description for rims with two flanges. Standard on element sizes 16CB500 thru 45CB525. This description used primarily to differentiate between the single and dual flanged 12CB and 14CB elements.



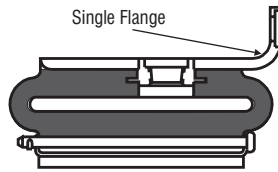
Pipe adapter - An adapter to connect standard tube fittings to pipe fittings.



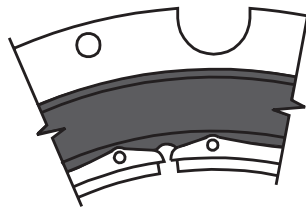
Quick release valve (QRV) - The plumbing from the valve to the rim flange incorporating a quick release valve and air tube.



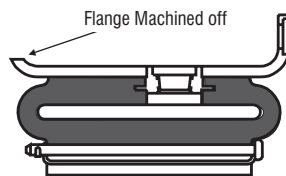
Side connection (SC) - The plumbing from the valve to the rim flange incorporating an elbow and air tube.



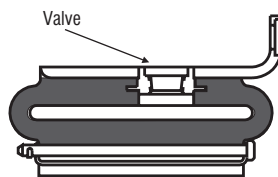
Single flange (SGL FL) - A CB description for rims having one flange. Element sizes 3CB150 thru 10CB300 have one flange. Element sizes 12CB350 and 14CB400 can be furnished single or dual flanged.



Slotted rim (SLOT) - A U-shaped cutout in the rim flange providing clearance for piping directly to the valve. Used with pipe adapter and in the small CB clutch applications which incorporate tapered bushings.



Turned down flange (TDF) - Applies to CB elements only. Element sizes 16CB500 thru 45CB525 have dual flange rims. This description is used when one flange is removed or "turned down" to provide clearance for adjacent components. Used primarily in FSPA applications.



Valve (VA or VAL or VL) - That part of the tube which permits a mechanical connection and through which the activating media enter and exhausts. Element sizes 3CB150 thru 14CB400 and 11.5VC500 can be furnished with either one or two valves; larger sizes with either one, two or four valves.

Lining (LNG or LN) or Friction lining (FR LNG) - Elements can be furnished with linings having different coefficients of friction. When no mention is made in the element description, standard linings are furnished. The lining descriptions are:

- **Standard lining** - This lining will produce the published element torque ratings.
- **Low coefficient (LO-CO) or Slip lining** - Lining that has a lower coefficient of friction than the standard lining. Used primarily for continuous slip or tensioning applications.
- **High coefficient (HI-CO) or Cork lining** - Lining that has a higher coefficient of friction than the standard lining. Used primarily in applications in which the elements operate in the engaged or locked up position for extended periods of time.



Single Flange Element



Dual Flange Element

The type CB element assembly is designed and built to provide dependable clutch or brake service in the most exacting industrial applications. It is suited to high speed, cyclic operations, as well as for coupling and general power transmission.

CB design, construction and operation is quite simple. A neoprene rubber tube reinforced with several plies of cord is bonded on its outside diameter to a steel rim. Friction shoes are attached to the tube's inside diameter by pins which in turn are held in position by lockwires, except for sizes 3CB150 through 5CB200 which have friction material bonded to the rubber tube. Pressurizing the tube forces the friction shoes to engage around a cylindrical drum.

Element torque capacity is dependent upon the applied pressure and rotating speed. Catalog ratings are given at 75 psi (5.2 bar)

and zero rpm. Maximum recommended pressure is 110 psi (7.6 bar). Adjustment for speed is explained under Selection Procedure.

CB elements are available in 20 sizes which are identified by the drum diameter in inches on which they constrict and the width in inches of its friction lining. For instance, size 16CB500 is designed to constrict on a 16 inch diameter drum and has a friction lining width of 5 inches. The smallest CB element will constrict on a 3 inch (76mm) diameter drum and the largest on a 45 inch (1143mm) diameter drum.

Element sizes 3CB150 through 10CB300 have rims with one flange. Element sizes 12CB350 and 14CB400 are normally furnished with rims having one flange; however, they can also be furnished, when specified, with two flanges. Element sizes

16CB500 and larger have rims with two flanges. CB elements are grouped and described as being single flanged or dual flanged elements.

Two dual flanged elements can be bolted together to form a dual element having twice the torque capacity of a single element. Dual elements can be furnished in sizes 12CB350 through 45CB525.

Because the rubber tube is the connecting member between the driving and driven shafts, the CB design offers the following features in addition to the constricting features described earlier in this section.

One moving component

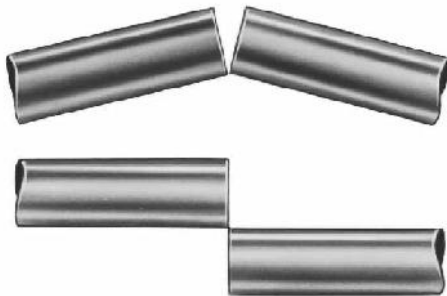
The tube is the only moving component. There are no springs or sliding parts.

Cushioned action

The tube transmits the torque through its side walls, cushioning damaging shock loads thereby protecting drive components. The rubber tube construction dampens the effects of torsional vibrations.

Flexible coupling

The tube flexibility is able to compensate for minor shaft misalignment and axial movement.



Split Elements

Element sizes 6CB200 and up are available in a split configuration. They are used in applications where there is limited axial space for maintenance or where the drum is mounted between bearings and the shaft cannot be moved for maintenance. Sizes through the 10CB300 can only be used as brakes. Larger sizes can also be used in relatively low-speed clutch applications. Note that split tubes are not as durable as standard continuous tube.

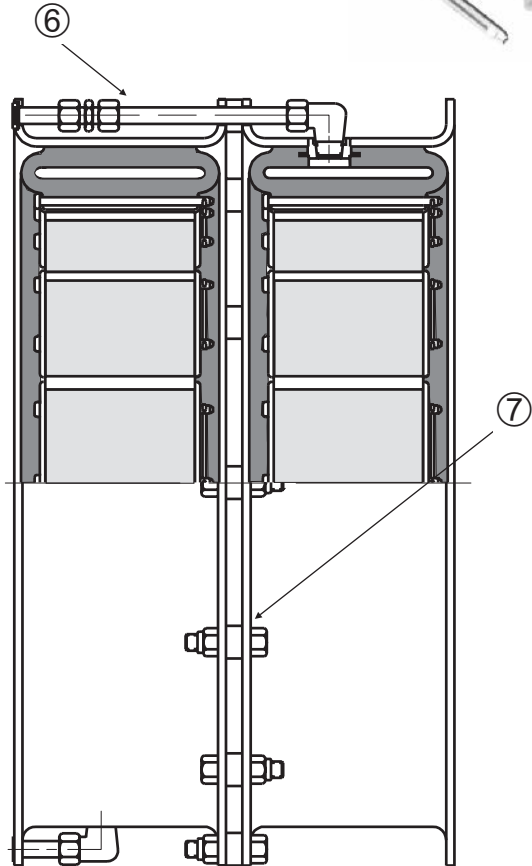
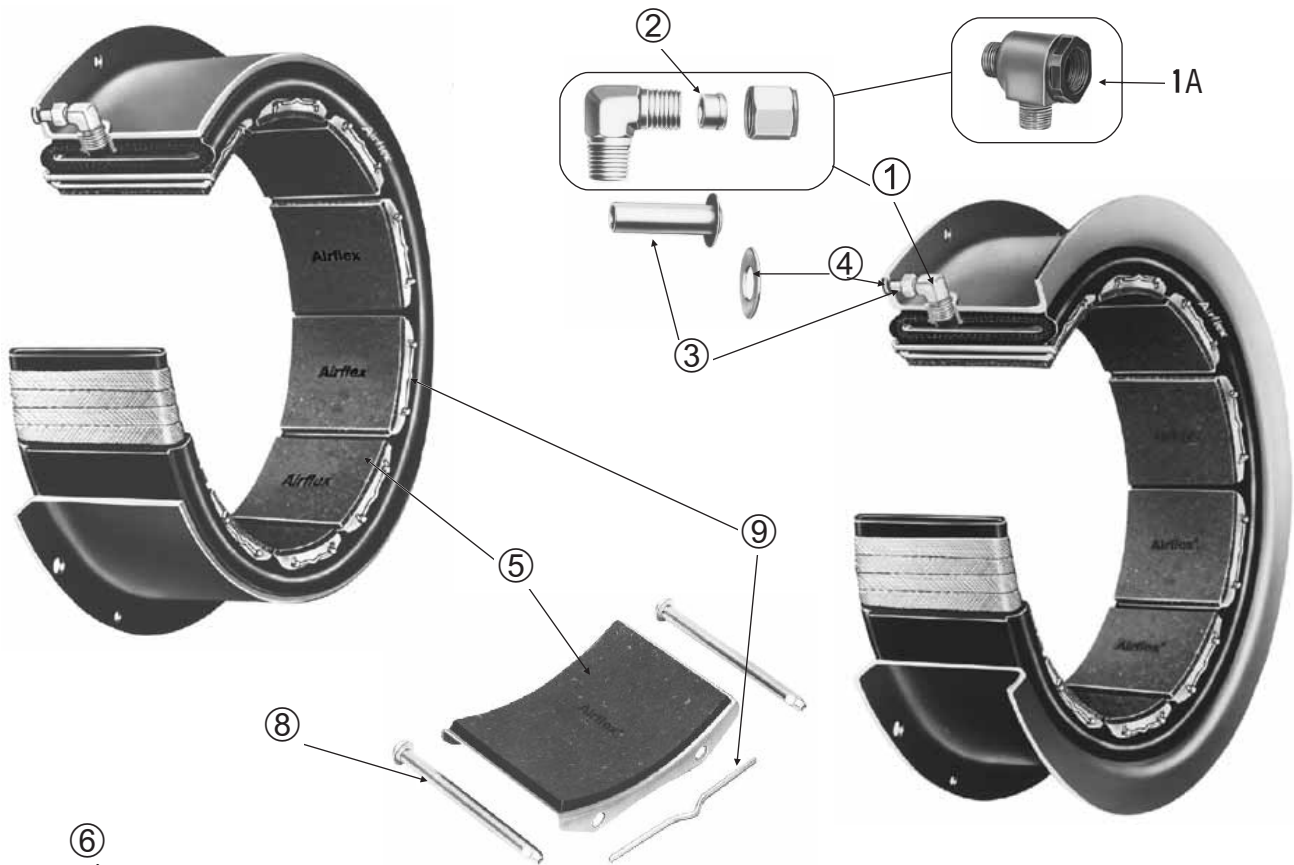


The following pages give additional descriptive information, selection procedures and common clutch and brake arrangements for the complete CB product line.

| Size | Torque Rating | |
|---------|---------------------|--------------------|
| | lb • in @ 75 psi | N • m @ 5,2 bar |
| 3CB150 | 360 | 41 |
| 4CB200 | 1,000 | 113 |
| 5CB200 | 1,460 | 165 |
| 6CB200 | 2,040 | 231 |
| 8CB250 | 4,290 | 485 |
| 10CB300 | 8,150 | 921 |
| 12CB350 | 13,300 | 1500 |
| 14CB400 | 19,700 | 2230 |
| 16CB500 | 35,200 | 3980 |
| 18CB500 | 44,000 | 4970 |
| 20CB500 | 53,600 | 6060 |
| 22CB500 | 62,300 | 7040 |
| 24CB500 | 75,000 | 8480 |
| 26CB525 | 92,400 | 10400 |
| 28CB525 | 106,000 | 12000 |
| 30CB525 | 121,000 | 13700 |
| 32CB525 | 137,000 | 15500 |
| 36CB525 | 172,000 | 19400 |
| 40CB525 | 211,000 | 23800 |
| 45CB525 | 260,000 | 29400 |

Where Used:

- **Can Making Machinery**
- **Commercial Laundry Equipment**
- **Metal Forming Machinery**
- **Oil Field Machinery**
- **Printing Machinery**
- **Rubber Processing Machinery**
- **Tire Building Machinery**

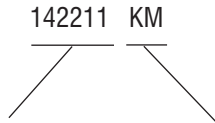


| Item | Component Description |
|--------|---|
| 1 | Elbow Assembly |
| 1A ① | Optional - Quick Release Valve Assembly |
| 1B ① | Optional - Quick Release Valve Muffler |
| 2 | Compression Ring |
| 3 | Air Connection Tube |
| 4 | Air Connection Gasket |
| 5 ② | Friction Shoe Assembly |
| 6 | Air Tube Group (Dual Mounted) |
| 7 | Spacer Group (Dual Mounted) |
| 8 ② | Shoe Pin |
| 9 ② | Lockwire |
| 5, 8&9 | Friction Shoe Replacement Kit |

Notes:

- ① This option not available for sizes 3 thru 14.
- ② These items are not applicable to sizes 3 thru 5. The friction material is bonded to the rubber tube and is not replaceable.

A double alpha suffix is added to the basic element part number to completely describe the element configuration.



Basic Part No.

Configuration

| Alpha Suffixes for 3 thru 14 CB Elements | | | | |
|--|----------------|----------------------|----------------|-----------------------|
| No. of Valves or Side Connections | Type of Lining | Special Rim Features | Alpha Suffixes | |
| | | | Valves Only | With Side Connections |
| 1 | Standard | | JA | JB |
| 1 | Standard | Slotted | JC | |
| 1 | Cork | | JT | JN |
| 1 | Cork | Slotted | JU | |
| 2 | Standard | | JH | JG |
| 2 | Standard | Slotted | JK | |
| 2 | Cork | | | JQ |

The basic element part number is shown on the element catalog pages. Alphas for the more common element configurations are shown on this page. The element part number used in the above example identifies a 16CB500 element equipped with standard friction linings and one side connection.

| Alpha Suffixes for 16 thru 45 CB Elements | | | | | |
|---|----------------|----------------------|----------------|-----------------------|------------|
| No. of Valves, Side Connections, or QRV's | Type of Lining | Special Rim Features | Alpha Suffixes | | |
| | | | Valves only | with Side Connections | with QRV's |
| 1 | Standard | | KY | KM | KN |
| 1 | Standard | Dual Drilled | KS | LH | LJ |
| 1 | Cork | | LQ | MG | LA |
| 1 | Cork | Dual Drilled | LR | | |
| 2 | Standard | | LX | LB | LK |
| 2 | Standard | Dual Drilled | MT | | LW |
| 2 | Cork | | KD | KE | |
| 2 | Cork | Dual Drilled | LY | KL | |
| 4 | Standard | | KZ | KP | KR |
| 4 | Standard | Dual Drilled | LS | KT | KU |
| 4 | Cork | | NR | LV | ML |
| 4 | Cork | Dual Drilled | LT | LU | NE |

| Alpha Suffixes for Dual 12 thru 45 CB Elements ² | | | |
|---|----------------|-----------------------|------------|
| No. of Side Connections or QRV's | Type of Lining | Alpha Suffix | |
| | | with Side Connections | with QRV's |
| 2 | Standard | DA | DD |
| 2 | Cork | DF | DJ |
| 4 | Standard | DK | DL |
| 4 | Cork | DT | |

Notes:

- ① Not available for sizes 3 thru 5.
- ② Dual sizes 12 and 14 elements only available with suffixes DA and DF.

| English | | lb in @ 75 psi | rpm | psi/rpm ² | lb ft ² | lb | in ² | inches | | in ³ | inches |
|----------------|--------|-------------------|------|----------------------|--------------------|------|-----------------|--------|------|-----------------|--------|
| 3CB150 | 142252 | 360 | 2000 | 1.5 E-06 | 0.1 | 1.8 | 14 | 0.20 | 0.04 | 7 | 2.90 |
| 4CB200 | 142840 | 1000 | 2000 | 1.7 E-06 | 0.2 | 2.5 | 23 | 0.12 | 0.03 | 10 | 3.90 |
| 5CB200 | 142253 | 1460 | 2000 | 2.0 E-06 | 0.4 | 3.5 | 30 | 0.20 | 0.04 | 17 | 4.90 |
| 6CB200 | 142095 | 2040 | 1800 | 6.0 E-06 | 1.0 | 7.0 | 36 | 0.14 | 0.06 | 19 | 5.90 |
| 8CB250 | 142096 | 4290 | 1800 | 7.0 E-06 | 2.0 | 9.0 | 61 | 0.12 | 0.06 | 30 | 7.90 |
| 10CB300 | 142197 | 8150 | 1800 | 10.0 E-06 | 6.0 | 19.0 | 91 | 0.20 | 0.06 | 50 | 9.90 |
| 12CB350 | 142098 | 13300 | 1800 | 12.0 E-06 | 11.0 | 26.0 | 128 | 0.20 | 0.06 | 80 | 11.90 |
| 14CB400 | 142087 | 19700 | 1800 | 15.0 E-06 | 17.0 | 31.0 | 170 | 0.20 | 0.06 | 70 | 13.90 |

| Size | Part Number | M _t ² Torque Rating | Maximum Speed | C _s Centrifugal Loss Constant | Wk ² J | Weight Mass | Friction Area | New Worn | | Air Tube Cavity | Minimum Drum Diameter |
|----------------|----------------|---|------------------|---|----------------------|----------------|------------------|----------|------------------|--------------------|-----------------------------|
| | | | | | | | | Friction | Lining Thickness | | |
| | | | | | | | | New | Worn | | |
| 3CB150 | 142252 | 40,7 | 2000 | 0,10 E-06 | 0,00 | 0,8 | 90,3 | 5 | 1 | 0,12 | 74 |
| 4CB200 | 142840 | 113 | 2000 | 0,12 E-06 | 0,01 | 1,1 | 148,4 | 3 | 1 | 0,17 | 99 |
| 5CB200 | 142253 | 165 | 2000 | 0,14 E-06 | 0,02 | 1,6 | 193,5 | 5 | 1 | 0,28 | 124 |
| 6CB200 | 142095 | 231 | 1800 | 0,41 E-06 | 0,04 | 3,2 | 232,2 | 4 | 2 | 0,32 | 150 |
| 8CB250 | 142096 | 485 | 1800 | 0,48 E-06 | 0,08 | 4,1 | 393,5 | 3 | 2 | 0,49 | 201 |
| 10CB300 | 142197 | 921 | 1800 | 0,69 E-06 | 0,25 | 8,6 | 587,0 | 5 | 2 | 0,82 | 251 |
| 12CB350 | 142098 | 1500 | 1800 | 0,83 E-06 | 0,46 | 12 | 825,6 | 5 | 2 | 1,31 | 302 |
| 14CB400 | 142087 | 2230 | 1800 | 1,04 E-06 | 0,71 | 14 | 1096,5 | 5 | 2 | 1,15 | 353 |

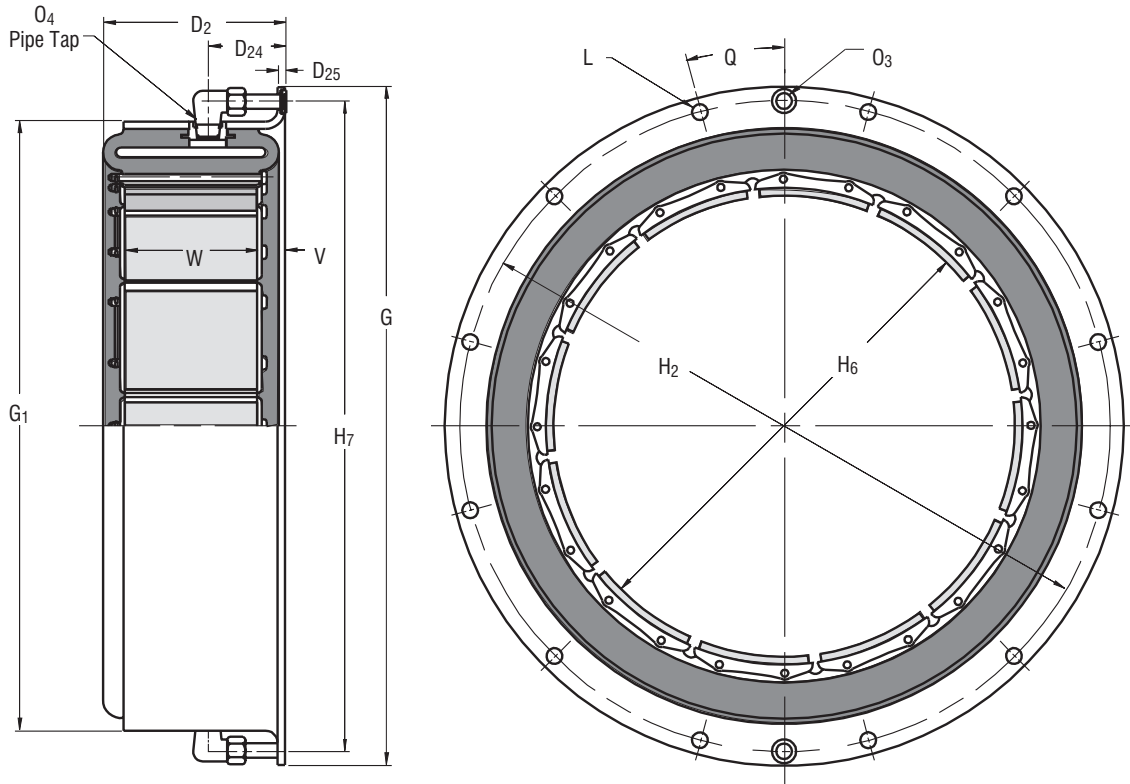
| SI | | N m @ 5, 2 bar | rpm | bar/rpm ² | kg m ² | kg | cm ² | millimeters | | dm ³ | millimeters |
|----|--|-------------------|-----|----------------------|-------------------|----|-----------------|-------------|--|-----------------|-------------|
|----|--|-------------------|-----|----------------------|-------------------|----|-----------------|-------------|--|-----------------|-------------|

Notes:

- ① Refers to basic part number only. When ordering, the number of air inlets and type of connection must be specified.
- ② Dynamic torque shown, static torque approximately 25% greater. Torque in each application is dependent upon air pressure and speed.
- ③ Tolerance for sizes:
3 thru 5
+0.000/-0.003 in (+0,00/-0,08 mm)
6 and larger
+0.000/-0.005 in (+0,00/-0,13 mm)
- ④ American National Pipe Thread.
Sizes 3 thru 5 only available with one air inlet. All other sizes available with either one or two air inlets.
- ⑤ Maximum rpm is dependent upon operating conditions and varies for each application. Consult factory for applications exceeding these speeds.
- ⑥ Drum contact with worn shoes.

Form CB-401

Dimensional Data – Sizes 3 to 14



| English | | lbin @ 75 psi | Dimensions in inches | | | | | | | | | | | | | | | |
|----------------|----------------|------------------------|---------------------------|-----------------|-----------------|--------|----------------|----------------|----------------|----------------|----------------|-------|------------|--------|--------|-------|----|------|
| 3CB150 | 142252 | 360 | 2.16 | 1.18 | 0.10 | 6.299 | 4.86 | 5.748 | 3.15 | 5.75 | 8 | 0.25 | 0.28 | 1/8-27 | 22.500 | 0.35 | 6 | 1.50 |
| 4CB200 | 142840 | 1000 | 2.63 | 1.38 | 0.09 | 7.248 | 5.81 | 6.688 | 4.13 | 6.69 | 8 | 0.25 | 0.19 | 1/8-27 | 22.500 | 0.38 | 6 | 2.00 |
| 5CB200 | 142253 | 1460 | 2.85 | 1.50 | 0.10 | 8.819 | 7.20 | 8.071 | 5.16 | 8.07 | 8 | 0.31 | 0.29 | 1/8-27 | 22.500 | 0.48 | 6 | 2.00 |
| 6CB200 | 142095 | 2040 | 2.94 | 1.56 | 0.09 | 10.752 | 9.06 | 10.000 | 6.16 | 10.00 | 8 | 0.38 | 0.31 | 3/8-18 | 22.500 | 0.56 | 6 | 2.00 |
| 8CB250 | 142096 | 4290 | 3.44 | 1.91 | 0.09 | 12.875 | 11.19 | 12.125 | 8.16 | 12.13 | 8 | 0.38 | 0.31 | 3/8-18 | 22.500 | 0.56 | 8 | 2.50 |
| 10CB300 | 142197 | 8150 | 4.13 | 2.00 | 0.19 | 15.373 | 13.63 | 14.625 | 10.13 | 14.63 | 12 | 0.38 | 0.31 | 3/8-18 | 15.000 | 0.69 | 10 | 3.00 |
| 12CB350 | 142098 | 13300 | 4.72 | 2.00 | 0.19 | 17.625 | 15.88 | 16.875 | 12.13 | 16.88 | 14 | 0.38 | 0.31 | 3/8-18 | 12.857 | 0.69 | 12 | 3.50 |
| 14CB400 | 142087 | 19700 | 5.22 | 2.00 | 0.19 | 19.625 | 17.88 | 18.875 | 14.13 | 18.88 | 16 | 0.38 | 0.31 | 3/8-18 | 11.250 | 0.69 | 14 | 4.00 |
| Size | Part Number | M, Torque Rating | D ₂ | D ₂₄ | D ₂₅ | G | G ₁ | H ₂ | H ₆ | H ₇ | O ₃ | | Q (Deg) | V | W | | | |
| | | | | | | | | | | | No | .Size | | | No | Width | | |
| | | | | | | | | | | | L (Bolt) | .Size | | | No | Width | | |
| 3CB150 | 142252 | 40,7 | 55 | 30 | 2 | 160,0 | 123 | 146,0 | 80 | 146 | 8 | 6 | 7 | 1/8-27 | 22,500 | 9 | 6 | 38 |
| 4CB200 | 142840 | 113 | 67 | 35 | 2 | 184,1 | 148 | 169,9 | 105 | 170 | 8 | 6 | 5 | 1/8-27 | 22,500 | 10 | 6 | 51 |
| 5CB200 | 142253 | 165 | 72 | 38 | 2 | 224,0 | 183 | 205,0 | 131 | 205 | 8 | 8 | 7 | 1/8-27 | 22,500 | 12 | 6 | 51 |
| 6CB200 | 142095 | 231 | 75 | 40 | 2 | 273,1 | 230 | 254,0 | 156 | 254 | 8 | 10 | 8 | 3/8-18 | 22,500 | 14 | 6 | 51 |
| 8CB250 | 142096 | 485 | 87 | 48 | 2 | 327,0 | 284 | 308,0 | 207 | 308 | 8 | 10 | 8 | 3/8-18 | 22,500 | 14 | 8 | 64 |
| 10CB300 | 142197 | 921 | 105 | 51 | 5 | 390,5 | 346 | 371,5 | 257 | 371 | 12 | 10 | 8 | 3/8-18 | 15,000 | 17 | 10 | 76 |
| 12CB350 | 142098 | 1500 | 120 | 51 | 5 | 447,7 | 403 | 428,6 | 308 | 429 | 14 | 10 | 8 | 3/8-18 | 12,857 | 17 | 12 | 89 |
| 14CB400 | 142087 | 2230 | 133 | 51 | 5 | 498,5 | 454 | 479,4 | 359 | 479 | 16 | 10 | 8 | 3/8-18 | 11,250 | 17 | 14 | 102 |
| SI | | Nm @ 5, 2 bar | Dimensions in millimeters | | | | | | | | | | | | | | | |

Form CB-402

Technical Data – Sizes 12 to 45

| English | | lb in @ 75 psi | rpm | psi/rpm ² | lb ft ² | lb | in ² | Inches | | in ³ | inches |
|---------|--------|-------------------|------|----------------------|--------------------|-----|-----------------|--------|------|-----------------|--------|
| 12CB350 | 142098 | 13000 | 1800 | 12 E-06 | 12 | 30 | 128 | 0.20 | 0.06 | 80 | 11.90 |
| 14CB400 | 142087 | 19700 | 1800 | 15 E-06 | 21 | 35 | 170 | 0.20 | 0.06 | 70 | 13.90 |
| 16CB500 | 142211 | 35200 | 1550 | 20 E-06 | 52 | 74 | 241 | 0.26 | 0.06 | 140 | 15.87 |
| 18CB500 | 142264 | 44000 | 1400 | 23 E-06 | 70 | 81 | 262 | 0.26 | 0.06 | 160 | 17.87 |
| 20CB500 | 142265 | 53600 | 1300 | 25 E-06 | 90 | 88 | 288 | 0.26 | 0.06 | 170 | 19.87 |
| 22CB500 | 142266 | 62300 | 1250 | 28 E-06 | 114 | 95 | 312 | 0.26 | 0.06 | 190 | 21.87 |
| 24CB500 | 142267 | 75000 | 1200 | 30 E-06 | 142 | 102 | 338 | 0.26 | 0.06 | 200 | 23.87 |
| 26CB525 | 142268 | 92400 | 1100 | 34 E-06 | 210 | 133 | 404 | 0.33 | 0.06 | 260 | 25.81 |
| 28CB525 | 142269 | 106000 | 1000 | 37 E-06 | 252 | 140 | 430 | 0.33 | 0.06 | 280 | 27.81 |
| 30CB525 | 142270 | 121000 | 950 | 40 E-06 | 303 | 148 | 458 | 0.33 | 0.06 | 290 | 29.81 |
| 32CB525 | 142271 | 137000 | 900 | 43 E-06 | 359 | 157 | 483 | 0.33 | 0.06 | 310 | 31.81 |
| 36CB525 | 142272 | 172000 | 800 | 48 E-06 | 510 | 178 | 550 | 0.33 | 0.06 | 350 | 35.81 |
| 40CB525 | 142273 | 211000 | 750 | 52 E-06 | 730 | 201 | 610 | 0.33 | 0.06 | 380 | 39.81 |
| 45CB525 | 142081 | 260000 | 670 | 64 E-06 | 1115 | 262 | 675 | 0.33 | 0.06 | 430 | 44.75 |

| Size | Part Number ^① | M _r Torque Rating ^② | Maximum Speed ^③ | C _s Centrifugal Loss Constant | Wk ² J | Weight Mass | Friction Area | Friction Lining Thickness | | Air Tube Cavity ^⑦ | Minimum Drum Diameter |
|---------|--------------------------|---|----------------------------|--|-------------------|-------------|---------------|---------------------------|------|------------------------------|-----------------------|
| | | | | | | | | New | Worn | | |
| | | | | | | | | New | Worn | | |
| 12CB350 | 142098 | 1470 | 1800 | 0,83 E-06 | 0,50 | 14 | 826 | 5 | 2 | 1,31 | 302 |
| 14CB400 | 142087 | 2230 | 1800 | 1,04 E-06 | 0,88 | 16 | 1097 | 5 | 2 | 1,15 | 353 |
| 16CB500 | 142211 | 3980 | 1550 | 1,38 E-06 | 2,18 | 34 | 1554 | 7 | 2 | 2,30 | 403 |
| 18CB500 | 142264 | 4970 | 1400 | 1,59 E-06 | 2,94 | 37 | 1690 | 7 | 2 | 2,62 | 454 |
| 20CB500 | 142265 | 6060 | 1300 | 1,73 E-06 | 3,78 | 40 | 1858 | 7 | 2 | 2,79 | 505 |
| 22CB500 | 142266 | 7040 | 1250 | 1,93 E-06 | 4,79 | 43 | 2012 | 7 | 2 | 3,12 | 555 |
| 24CB500 | 142267 | 8480 | 1200 | 2,07 E-06 | 5,96 | 46 | 2180 | 7 | 2 | 3,28 | 606 |
| 26CB525 | 142268 | 10400 | 1100 | 2,35 E-06 | 8,82 | 60 | 2606 | 8 | 2 | 4,26 | 656 |
| 28CB525 | 142269 | 12000 | 1000 | 2,55 E-06 | 10,58 | 63 | 2774 | 8 | 2 | 4,59 | 706 |
| 30CB525 | 142270 | 13700 | 950 | 2,76 E-06 | 12,73 | 67 | 2954 | 8 | 2 | 4,76 | 757 |
| 32CB525 | 142271 | 15500 | 900 | 2,97 E-06 | 15,08 | 71 | 3115 | 8 | 2 | 5,08 | 808 |
| 36CB525 | 142272 | 19400 | 800 | 3,31 E-06 | 21,42 | 81 | 3548 | 8 | 2 | 5,74 | 910 |
| 40CB525 | 142273 | 23800 | 750 | 3,59 E-06 | 30,66 | 91 | 3935 | 8 | 2 | 6,23 | 1011 |
| 45CB525 | 142081 | 29400 | 670 | 4,42 E-06 | 46,83 | 119 | 4354 | 8 | 2 | 7,05 | 1137 |

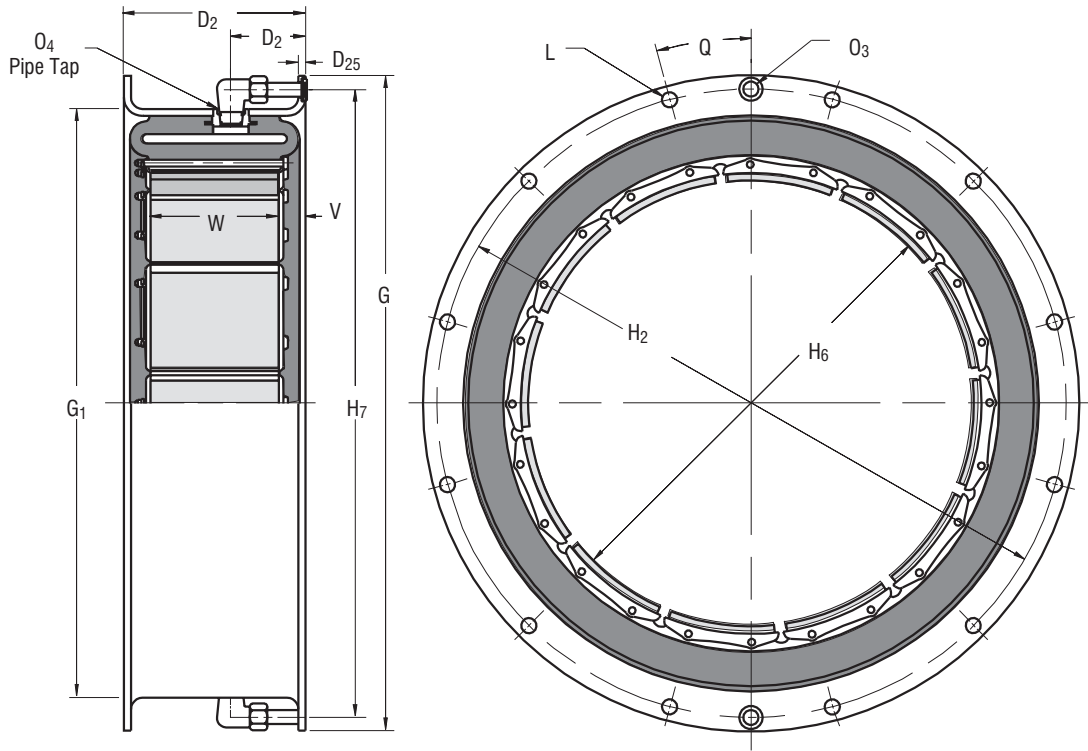
| SI | | Nm @ 5,2 bar | rpm | bar/rpm ² | kg m ² | kg | cm ² | millimeters | | dm ³ | millimeters |
|----|--|--------------|-----|----------------------|-------------------|----|-----------------|-------------|--|-----------------|-------------|
|----|--|--------------|-----|----------------------|-------------------|----|-----------------|-------------|--|-----------------|-------------|

Notes:

- ① Refers to basic part number only. When ordering, the number of air inlets and type of connection must be specified.
- ② Dynamic torque shown, static torque approximately 25% greater. Torque in each application is dependent upon air pressure and speed.
- ③ Tolerance for sizes:
12 thru 24, 28 and 32
+0.000/-0.005 in (+0,00/-0,13 mm)
26 and 30
+0.000/-0.008 in (+0,00/-0,20 mm)
36 thru 45
+0.000/-0.010 in (+0,00/-0,25 mm)
- ④ American National Pipe Thread.
Sizes 12 and 14 available with one or two air inlets. All other sizes available with one, two or four air inlets.
- ⑤ 10.00 degrees for elements with one air inlet, 5.00 degrees for elements with two or four air inlets.
- ⑥ Maximum rpm is dependent upon operating conditions and varies for each application. Consult factory for applications exceeding these speeds.
- ⑦ Drum contact with worn shoes.

Form CB-402

Dimensional Data – Sizes 12 to 45



| English | lb in @ 75 psi | Dimensions in inches | | | | | | | | | | | | | | | | |
|---------|-------------------|--|---------------------------|-----------------|-----------------|--------|----------------|----------------|----------------|----------------|----------|----------|----------------|----------------|---------|------|-----------|-------|
| 12CB350 | 142098 | 13300 | 4.88 | 2.00 | 0.19 | 17.625 | 15.88 | 16.875 | 12.13 | 16.88 | 14 | 0.375 | 0.31 | 3/8-18 | 12.857 | 0.69 | 12 | 3.50 |
| 14CB400 | 142087 | 19700 | 5.38 | 2.00 | 0.19 | 19.625 | 17.88 | 18.875 | 14.13 | 18.88 | 16 | 0.375 | 0.31 | 3/8-18 | 11.250 | 0.69 | 14 | 4.00 |
| 16CB500 | 142211 | 35200 | 6.63 | 2.50 | 0.19 | 23.500 | 20.75 | 22.500 | 16.19 | 22.25 | 8 | 0.500 | 0.38 | 3/8-18 | 22.500 | 0.81 | 10 | 5.00 |
| 18CB500 | 142264 | 44000 | 6.63 | 2.50 | 0.19 | 25.500 | 22.75 | 24.375 | 18.19 | 24.38 | 12 | 0.500 | 0.38 | 3/8-18 | 15.000 | 0.81 | 11 | 5.00 |
| 20CB500 | 142265 | 53600 | 6.63 | 2.50 | 0.19 | 27.500 | 24.75 | 26.375 | 20.19 | 26.38 | 12 | 0.500 | 0.38 | 3/8-18 | 15.000 | 0.81 | 12 | 5.00 |
| 22CB500 | 142266 | 62300 | 6.63 | 2.50 | 0.19 | 29.500 | 26.75 | 28.375 | 22.19 | 28.38 | 12 | 0.500 | 0.38 | 3/8-18 | 15.000 | 0.81 | 13 | 5.00 |
| 24CB500 | 142267 | 75000 | 6.63 | 2.50 | 0.19 | 31.500 | 28.75 | 30.375 | 24.19 | 30.38 | 16 | 0.500 | 0.38 | 3/8-18 | 11.250 | 0.81 | 14 | 5.00 |
| 26CB525 | 142268 | 92400 | 6.94 | 2.50 | 0.25 | 34.000 | 31.00 | 32.750 | 26.19 | 32.50 | 16 | 0.625 | 0.50 | 1/2-14 | 11.250 | 0.84 | 16 | 5.25 |
| 28CB525 | 142269 | 106000 | 6.94 | 2.50 | 0.25 | 36.000 | 33.00 | 34.750 | 28.19 | 34.50 | 16 | 0.625 | 0.50 | 1/2-14 | 11.250 | 0.84 | 17 | 5.25 |
| 30CB525 | 142270 | 121000 | 6.94 | 2.50 | 0.25 | 38.000 | 35.00 | 36.750 | 30.19 | 36.50 | 16 | 0.625 | 0.50 | 1/2-14 | 11.250 | 0.84 | 18 | 5.25 |
| 32CB525 | 142271 | 137000 | 6.94 | 2.50 | 0.25 | 40.000 | 37.00 | 38.750 | 32.19 | 38.50 | 18 | 0.625 | 0.50 | 1/2-14 | 5 | 0.84 | 19 | 5.25 |
| 36CB525 | 142272 | 172000 | 6.94 | 2.75 | 0.28 | 44.625 | 41.56 | 43.125 | 36.19 | 43.25 | 18 | 0.750 | 0.63 | 3/4-14 | 5 | 0.84 | 22 | 5.25 |
| 40CB525 | 142273 | 211000 | 6.94 | 2.75 | 0.28 | 48.625 | 45.56 | 47.125 | 40.19 | 47.25 | 20 | 0.750 | 0.63 | 3/4-14 | 9.000 | 0.84 | 24 | 5.25 |
| 45CB525 | 142081 | 260000 | 6.94 | 2.75 | 0.28 | 53.625 | 50.69 | 52.125 | 45.19 | 52.25 | 24 | 0.750 | 0.63 | 3/4-14 | 7.500 | 0.84 | 27 | 5.25 |
| Size | Part Number | M _t ² Torque Rating | D ₂ | D ₂₄ | D ₂₅ | G | G ₁ | H ₂ | H ₆ | H ₇ | No. Size | | 4 | | Q (Deg) | V | No. Width | |
| | | | | | | | | | | | L (Bolt) | No. Size | O ₃ | O ₄ | | | No. | Width |
| | | | | | | | | | | | | | | | | | | |
| 12CB350 | 142098 | 1500 | 124 | 51 | 5 | 447,7 | 403 | 428,6 | 308 | 429 | 14 | 10 | 8 | 3/8-18 | 12,857 | 17 | 12 | 89 |
| 14CB400 | 142087 | 2230 | 137 | 51 | 5 | 498,5 | 454 | 479,4 | 359 | 479 | 16 | 10 | 8 | 3/8-18 | 11,250 | 17 | 14 | 102 |
| 16CB500 | 142211 | 3980 | 168 | 64 | 5 | 596,9 | 527 | 571,5 | 411 | 565 | 8 | 13 | 10 | 3/8-18 | 22,500 | 21 | 10 | 127 |
| 18CB500 | 142264 | 4970 | 168 | 64 | 5 | 647,7 | 578 | 619,1 | 462 | 619 | 12 | 13 | 10 | 3/8-18 | 15,000 | 21 | 11 | 127 |
| 20CB500 | 142265 | 6060 | 168 | 64 | 5 | 698,5 | 629 | 669,9 | 513 | 670 | 12 | 13 | 10 | 3/8-18 | 15,000 | 21 | 12 | 127 |
| 22CB500 | 142266 | 7040 | 168 | 64 | 5 | 749,3 | 679 | 720,7 | 564 | 721 | 12 | 13 | 10 | 3/8-18 | 15,000 | 21 | 13 | 127 |
| 24CB500 | 142267 | 8480 | 168 | 64 | 5 | 800,1 | 730 | 771,5 | 614 | 772 | 16 | 13 | 10 | 3/8-18 | 11,250 | 21 | 14 | 127 |
| 26CB525 | 142268 | 10400 | 176 | 64 | 6 | 863,6 | 787 | 831,9 | 665 | 826 | 16 | 16 | 13 | 1/2-14 | 11,250 | 21 | 16 | 133 |
| 28CB525 | 142269 | 12000 | 176 | 64 | 6 | 914,4 | 838 | 882,7 | 716 | 876 | 16 | 16 | 13 | 1/2-14 | 11,250 | 21 | 17 | 133 |
| 30CB525 | 142270 | 13700 | 176 | 64 | 6 | 965,2 | 889 | 933,5 | 767 | 927 | 16 | 16 | 13 | 1/2-14 | 11,250 | 21 | 18 | 133 |
| 32CB525 | 142271 | 15500 | 176 | 64 | 6 | 1016,0 | 940 | 984,3 | 818 | 978 | 18 | 16 | 13 | 1/2-14 | 5 | 21 | 19 | 133 |
| 36CB525 | 142272 | 19400 | 176 | 70 | 7 | 1133,5 | 1056 | 1095,4 | 919 | 1099 | 18 | 19 | 16 | 3/4-14 | 5 | 21 | 22 | 133 |
| 40CB525 | 142273 | 23800 | 176 | 70 | 7 | 1235,1 | 1157 | 1197,0 | 1021 | 1200 | 20 | 19 | 16 | 3/4-14 | 9,000 | 21 | 24 | 133 |
| 45CB525 | 142081 | 29400 | 176 | 70 | 7 | 1362,1 | 1287 | 1324,0 | 1148 | 1327 | 24 | 19 | 16 | 3/4-14 | 7,500 | 21 | 27 | 133 |
| SI | Nm @ 5,2 bar | | Dimensions in millimeters | | | | | | | | | | | | | | | |

| English | | lb in @ 75 psi | rpm | psi/rpm ² | lb ft ² | lb | in ² | inches | | in ³ | inches |
|----------------|--------|-------------------|------|----------------------|--------------------|-----|-----------------|--------|------|-----------------|--------|
| 12CB350 | 142731 | 26600 | 1800 | 12 E-06 | 25 | 62 | 256 | 0.20 | 0.06 | 160 | 11.90 |
| 14CB400 | 142604 | 39400 | 1800 | 15 E-06 | 42 | 75 | 340 | 0.20 | 0.06 | 140 | 13.90 |
| 16CB500 | 142432 | 70400 | 1550 | 20 E-06 | 106 | 151 | 482 | 0.26 | 0.06 | 280 | 15.87 |
| 18CB500 | 142433 | 88000 | 1400 | 23 E-06 | 144 | 166 | 524 | 0.26 | 0.06 | 320 | 17.87 |
| 20CB500 | 142434 | 107200 | 1300 | 25 E-06 | 185 | 180 | 576 | 0.26 | 0.06 | 340 | 19.87 |
| 22CB500 | 142435 | 124600 | 1250 | 28 E-06 | 233 | 194 | 624 | 0.26 | 0.06 | 380 | 21.87 |
| 24CB500 | 142436 | 150000 | 1200 | 30 E-06 | 292 | 209 | 676 | 0.26 | 0.06 | 400 | 23.87 |
| 26CB525 | 142437 | 184800 | 1050 | 34 E-06 | 432 | 272 | 808 | 0.33 | 0.06 | 520 | 25.81 |
| 28CB525 | 142438 | 212000 | 1000 | 37 E-06 | 517 | 286 | 860 | 0.33 | 0.06 | 560 | 27.81 |
| 30CB525 | 142439 | 242000 | 950 | 40 E-06 | 621 | 302 | 916 | 0.33 | 0.06 | 580 | 29.81 |
| 32CB525 | 142440 | 274000 | 900 | 43 E-06 | 736 | 321 | 966 | 0.33 | 0.06 | 620 | 31.81 |
| 36CB525 | 142441 | 344000 | 800 | 48 E-06 | 1052 | 366 | 1100 | 0.33 | 0.06 | 700 | 35.81 |
| 40CB525 | 142442 | 422000 | 750 | 52 E-06 | 1502 | 413 | 1220 | 0.33 | 0.06 | 760 | 39.81 |
| 45CB525 | 142443 | 520000 | 670 | 64 E-06 | 2293 | 537 | 1350 | 0.33 | 0.06 | 860 | 44.75 |

| Size | ① Part Number | ② M, Torque Rating | ③ Maximum Speed | C _s Centrifugal Loss Constant | Wk ² J | Weight Mass | Friction Area | Friction Lining Thickness | | ⑦ Air Tube Cavity | Minimum Drum Diameter |
|----------------|---------------------|-----------------------------|-----------------------|---|----------------------|----------------|------------------|---------------------------|------|----------------------------|-----------------------------|
| | | | | | | | | New | Worn | | |
| | | | | | | | | New | Worn | | |
| 12CB350 | 142731 | 3010 | 1800 | 0,83 E-06 | 1,05 | 28 | 1651 | 5 | 2 | 2,62 | 302 |
| 14CB400 | 142604 | 4450 | 1800 | 1,04 E-06 | 1,76 | 34 | 2193 | 5 | 2 | 2,30 | 353 |
| 16CB500 | 142432 | 7960 | 1550 | 1,38 E-06 | 4,45 | 68 | 3109 | 7 | 2 | 4,59 | 403 |
| 18CB500 | 142433 | 9940 | 1400 | 1,59 E-06 | 6,05 | 75 | 3380 | 7 | 2 | 5,25 | 454 |
| 20CB500 | 142434 | 12100 | 1300 | 1,73 E-06 | 7,77 | 82 | 3715 | 7 | 2 | 5,58 | 505 |
| 22CB500 | 142435 | 14100 | 1250 | 1,93 E-06 | 9,79 | 88 | 4025 | 7 | 2 | 6,23 | 555 |
| 24CB500 | 142436 | 17000 | 1200 | 2,07 E-06 | 12,26 | 95 | 4360 | 7 | 2 | 6,56 | 606 |
| 26CB525 | 142437 | 20900 | 1050 | 2,35 E-06 | 18,14 | 123 | 5212 | 8 | 2 | 8,53 | 656 |
| 28CB525 | 142438 | 24000 | 1000 | 2,55 E-06 | 21,71 | 130 | 5547 | 8 | 2 | 9,18 | 706 |
| 30CB525 | 142439 | 27300 | 950 | 2,76 E-06 | 26,08 | 137 | 5908 | 8 | 2 | 9,51 | 757 |
| 32CB525 | 142440 | 31000 | 900 | 2,97 E-06 | 30,91 | 145 | 6231 | 8 | 2 | 10,2 | 808 |
| 36CB525 | 142441 | 38900 | 800 | 3,31 E-06 | 44,18 | 166 | 7095 | 8 | 2 | 11,5 | 910 |
| 40CB525 | 142442 | 47700 | 750 | 3,59 E-06 | 63,08 | 187 | 7869 | 8 | 2 | 12,5 | 1011 |
| 45CB525 | 142443 | 58800 | 670 | 4,42 E-06 | 96,31 | 243 | 8708 | 8 | 2 | 14,1 | 1137 |

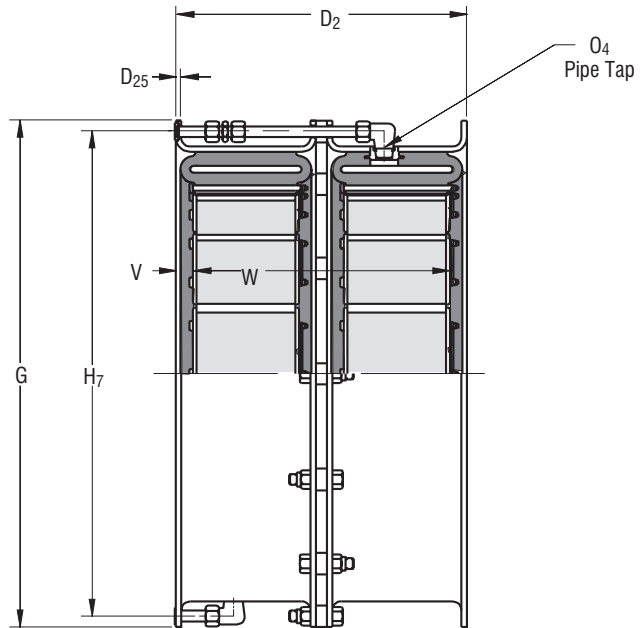
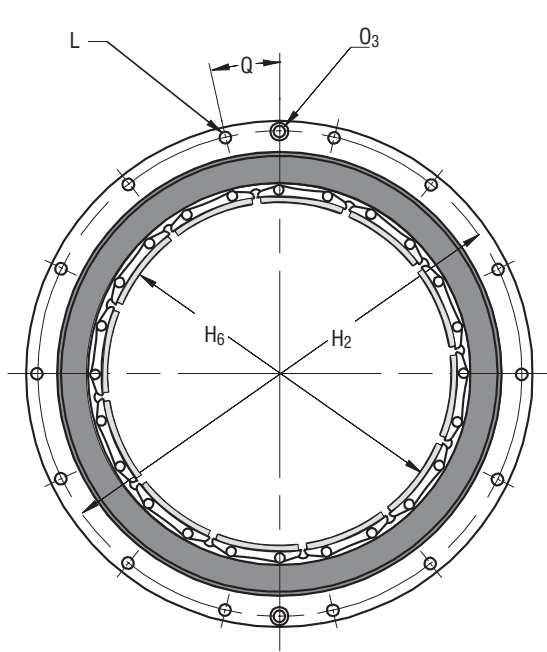
| SI | | Nm @ 5,2 bar | rpm | bar/rpm ² | kg m ² | kg | cm ² | millimeters | | dm ³ | millimeters |
|----|--|-----------------|-----|----------------------|-------------------|----|-----------------|-------------|--|-----------------|-------------|
|----|--|-----------------|-----|----------------------|-------------------|----|-----------------|-------------|--|-----------------|-------------|

Notes:

- ① Refers to basic part number only. When ordering, the number of air inlets and type of connection must be specified.
- ② Dynamic torque shown, static torque approximately 25% greater. Torque in each application is dependent upon air pressure and speed.
- ③ Tolerance for sizes:
12 thru 24, 28 and 32
+0.000/-0.005 in (+0,00/-0,13 mm)
26 and 30
+0.000/-0.008 in (+0,00/-0,20 mm)
36 thru 45
+0.000/-0.010 in (+0,00/-0,25 mm)
- ④ American National Pipe Thread
Sizes 12 and 14 available with two air inlets. All other sizes available with two or four air inlets.
- ⑤ 10.00 degrees for elements with one air inlet.
5.00 degrees for elements with two or four air inlets.
- ⑥ Maximum rpm is dependent upon operating conditions and varies for each application. Consult factory for applications exceeding these speeds.
- ⑦ Drum contact with worn shoes.

Form CB-403

Dimensional Data – Sizes 12 to 45



| English | | lb in @ 75 psi | Dimensions in inches | | | | | | | | | | | | | |
|----------------|--------|-------------------|----------------------|------|--------|--------|-------|-------|----|-------|------|--------|--------|------|----|-------|
| 12CB350 | 142731 | 26600 | 10.13 | 0.19 | 17.625 | 16.875 | 12.13 | 16.88 | 14 | 0.375 | 0.31 | 3/8-18 | 12.857 | 0.69 | 24 | 8.75 |
| 14CB400 | 142604 | 39400 | 11.13 | 0.19 | 19.625 | 18.875 | 14.13 | 18.88 | 16 | 0.375 | 0.31 | 3/8-18 | 11.250 | 0.69 | 28 | 9.75 |
| 16CB500 | 142432 | 70400 | 13.63 | 0.19 | 23.500 | 22.500 | 16.19 | 22.25 | 8 | 0.500 | 0.38 | 3/8-18 | 22.500 | 0.81 | 20 | 12.00 |
| 18CB500 | 142433 | 88000 | 13.63 | 0.19 | 25.500 | 24.375 | 18.19 | 24.38 | 12 | 0.500 | 0.38 | 3/8-18 | 15.000 | 0.81 | 22 | 12.00 |
| 20CB500 | 142434 | 107200 | 13.63 | 0.19 | 27.500 | 26.375 | 20.19 | 26.38 | 12 | 0.500 | 0.38 | 3/8-18 | 15.000 | 0.81 | 24 | 12.00 |
| 22CB500 | 142435 | 124600 | 13.63 | 0.19 | 29.500 | 28.375 | 22.19 | 28.38 | 12 | 0.500 | 0.38 | 3/8-18 | 15.000 | 0.81 | 26 | 12.00 |
| 24CB500 | 142436 | 150000 | 13.63 | 0.19 | 31.500 | 30.375 | 24.19 | 30.38 | 16 | 0.500 | 0.38 | 3/8-18 | 11.250 | 0.81 | 28 | 12.00 |
| 26CB525 | 142437 | 184800 | 14.25 | 0.25 | 34.000 | 32.750 | 26.19 | 32.50 | 16 | 0.625 | 0.50 | 1/2-14 | 11.250 | 0.84 | 32 | 12.56 |
| 28CB525 | 142438 | 212000 | 14.44 | 0.25 | 36.000 | 34.750 | 28.19 | 34.50 | 16 | 0.625 | 0.50 | 1/2-14 | 11.250 | 0.84 | 34 | 12.69 |
| 30CB525 | 142439 | 242000 | 14.44 | 0.25 | 38.000 | 36.750 | 30.19 | 36.50 | 16 | 0.625 | 0.50 | 1/2-14 | 11.250 | 0.84 | 36 | 12.69 |
| 32CB525 | 142440 | 274000 | 14.44 | 0.25 | 40.000 | 38.750 | 32.19 | 38.50 | 18 | 0.625 | 0.50 | 1/2-14 | 5 | 0.84 | 38 | 12.69 |
| 36CB525 | 142441 | 344000 | 14.44 | 0.25 | 44.625 | 43.125 | 36.19 | 43.25 | 18 | 0.750 | 0.63 | 3/4-14 | 5 | 0.84 | 44 | 12.69 |
| 40CB525 | 142442 | 422000 | 14.44 | 0.25 | 48.625 | 47.125 | 40.19 | 47.25 | 20 | 0.750 | 0.63 | 3/4-14 | 9.000 | 0.84 | 48 | 12.69 |
| 45CB525 | 142443 | 520000 | 14.44 | 0.28 | 53.625 | 52.125 | 45.19 | 52.25 | 24 | 0.750 | 0.63 | 3/4-14 | 7.500 | 0.84 | 54 | 12.69 |

| Size | ① Part Number | ② M. Torque Rating | D ₂ | D ₂₅ | ③ G | H ₂ | H ₆ | H ₇ | No. Size | | ④ O ₃ | O ₄ | Q (Deg) | V | No. Width | |
|----------------|------------------|--------------------------|----------------|-----------------|--------|----------------|----------------|----------------|----------|------|---------------------|----------------|------------|----|-----------|-------|
| | | | | | | | | | L (Bolt) | Size | | | | | W | Width |
| | | | | | | | | | | | | | | | | |
| 12CB350 | 142731 | 3010 | 257 | 5 | 447,7 | 428,6 | 308 | 429 | 14 | 10 | 8 | 3/8-18 | 12,857 | 17 | 24 | 222 |
| 14CB400 | 142604 | 4450 | 283 | 5 | 498,5 | 479,4 | 359 | 479 | 16 | 10 | 8 | 3/8-18 | 11,250 | 17 | 28 | 248 |
| 16CB500 | 142432 | 7960 | 346 | 5 | 596,9 | 571,5 | 411 | 565 | 8 | 13 | 10 | 3/8-18 | 22,500 | 21 | 20 | 305 |
| 18CB500 | 142433 | 9940 | 346 | 5 | 647,7 | 619,1 | 462 | 619 | 12 | 13 | 10 | 3/8-18 | 15,000 | 21 | 22 | 305 |
| 20CB500 | 142434 | 12100 | 346 | 5 | 698,5 | 669,9 | 513 | 670 | 12 | 13 | 10 | 3/8-18 | 15,000 | 21 | 24 | 305 |
| 22CB500 | 142435 | 14100 | 346 | 5 | 749,3 | 720,7 | 564 | 721 | 12 | 13 | 10 | 3/8-18 | 15,000 | 21 | 26 | 305 |
| 24CB500 | 142436 | 17000 | 346 | 5 | 800,1 | 771,5 | 614 | 772 | 16 | 13 | 10 | 3/8-18 | 11,300 | 21 | 28 | 305 |
| 26CB525 | 142437 | 20900 | 362 | 6 | 863,6 | 831,9 | 665 | 826 | 16 | 16 | 13 | 1/2-14 | 11,300 | 21 | 32 | 319 |
| 28CB525 | 142438 | 24000 | 367 | 6 | 914,4 | 882,7 | 716 | 876 | 16 | 16 | 13 | 1/2-14 | 11,300 | 21 | 34 | 322 |
| 30CB525 | 142439 | 27300 | 367 | 6 | 965,2 | 933,5 | 767 | 927 | 16 | 16 | 13 | 1/2-14 | 11,300 | 21 | 36 | 322 |
| 32CB525 | 142440 | 31000 | 367 | 6 | 1016,0 | 984,3 | 818 | 978 | 18 | 16 | 13 | 1/2-14 | 5 | 21 | 38 | 322 |
| 36CB525 | 142441 | 38900 | 367 | 6 | 1133,5 | 1095,4 | 919 | 1099 | 18 | 19 | 16 | 3/4-14 | 5 | 21 | 44 | 322 |
| 40CB525 | 142442 | 47700 | 367 | 6 | 1235,1 | 1197,0 | 1021 | 1200 | 20 | 19 | 16 | 3/4-14 | 9,000 | 21 | 48 | 322 |
| 45CB525 | 142443 | 58800 | 367 | 7 | 1362,1 | 1324,0 | 1148 | 1327 | 24 | 19 | 16 | 3/4-14 | 7,500 | 21 | 54 | 322 |

| SI | | Nm @ 5, 2bar | Dimensions in millimeters | | | | | | | | | | | | | |
|----------------|--------|-----------------|---------------------------|---|--------|--------|------|------|----|----|----|--------|--------|----|----|-----|
| 12CB350 | 142731 | 3010 | 257 | 5 | 447,7 | 428,6 | 308 | 429 | 14 | 10 | 8 | 3/8-18 | 12,857 | 17 | 24 | 222 |
| 14CB400 | 142604 | 4450 | 283 | 5 | 498,5 | 479,4 | 359 | 479 | 16 | 10 | 8 | 3/8-18 | 11,250 | 17 | 28 | 248 |
| 16CB500 | 142432 | 7960 | 346 | 5 | 596,9 | 571,5 | 411 | 565 | 8 | 13 | 10 | 3/8-18 | 22,500 | 21 | 20 | 305 |
| 18CB500 | 142433 | 9940 | 346 | 5 | 647,7 | 619,1 | 462 | 619 | 12 | 13 | 10 | 3/8-18 | 15,000 | 21 | 22 | 305 |
| 20CB500 | 142434 | 12100 | 346 | 5 | 698,5 | 669,9 | 513 | 670 | 12 | 13 | 10 | 3/8-18 | 15,000 | 21 | 24 | 305 |
| 22CB500 | 142435 | 14100 | 346 | 5 | 749,3 | 720,7 | 564 | 721 | 12 | 13 | 10 | 3/8-18 | 15,000 | 21 | 26 | 305 |
| 24CB500 | 142436 | 17000 | 346 | 5 | 800,1 | 771,5 | 614 | 772 | 16 | 13 | 10 | 3/8-18 | 11,300 | 21 | 28 | 305 |
| 26CB525 | 142437 | 20900 | 362 | 6 | 863,6 | 831,9 | 665 | 826 | 16 | 16 | 13 | 1/2-14 | 11,300 | 21 | 32 | 319 |
| 28CB525 | 142438 | 24000 | 367 | 6 | 914,4 | 882,7 | 716 | 876 | 16 | 16 | 13 | 1/2-14 | 11,300 | 21 | 34 | 322 |
| 30CB525 | 142439 | 27300 | 367 | 6 | 965,2 | 933,5 | 767 | 927 | 16 | 16 | 13 | 1/2-14 | 11,300 | 21 | 36 | 322 |
| 32CB525 | 142440 | 31000 | 367 | 6 | 1016,0 | 984,3 | 818 | 978 | 18 | 16 | 13 | 1/2-14 | 5 | 21 | 38 | 322 |
| 36CB525 | 142441 | 38900 | 367 | 6 | 1133,5 | 1095,4 | 919 | 1099 | 18 | 19 | 16 | 3/4-14 | 5 | 21 | 44 | 322 |
| 40CB525 | 142442 | 47700 | 367 | 6 | 1235,1 | 1197,0 | 1021 | 1200 | 20 | 19 | 16 | 3/4-14 | 9,000 | 21 | 48 | 322 |
| 45CB525 | 142443 | 58800 | 367 | 7 | 1362,1 | 1324,0 | 1148 | 1327 | 24 | 19 | 16 | 3/4-14 | 7,500 | 21 | 54 | 322 |

Form CB-405

Close-Mounted Arrangement – Technical Data
Sizes 6 to 14

| Size | Part Numbers | | | | |
|----------------|------------------|------------|-----------------------|-----------|------------|
| | Element Assembly | | Integral Drum and Hub | Spider | |
| | One inlet | Two inlets | | One inlet | Two inlets |
| 6CB200 | 142095JB | 142095JG | 10108 | 408367 | 408368 |
| 8CB250 | 142096JB | 142096JG | 10109 | 408369 | 408370 |
| 10CB300 | 142197JB | 142197JG | 10110 | 408371 | 408372 |
| 12CB350 | 142098JB | 142098JG | 10111 | 408373 | 408374 |
| 14CB400 | 142087JB | 142087JG | 9617 | 408375 | 408376 |

| English ⑥ | lb | | lb ft ² | | lb | | lb ft ² | |
|----------------|--------|-----------------|--------------------|-----------------|--------|-----------------|--------------------|-----------------|
| | Weight | Wk ² | Weight | Wk ² | Weight | Wk ² | Weight | Wk ² |
| 6CB200 | 7 | 1 | 10 | 0.3 | 15 | 1.2 | | |
| 8CB250 | 9 | 2 | 19 | 0.8 | 19 | 2.3 | | |
| 10CB300 | 19 | 6 | 33 | 2.5 | 40 | 5.3 | | |
| 12CB350 | 26 | 11 | 53 | 5.4 | 46 | 8.1 | | |
| 14CB400 | 31 | 17 | 65 | 8.5 | 50 | 11.2 | | |

| Size | Element | | Integral Drum and Hub | | Spider | |
|----------------|---------|-----------------|-----------------------|-----------------|--------|-----------------|
| | Weight | Wk ² | Weight | Wk ² | Weight | Wk ² |
| | Mass | J | Mass | J | Mass | J |
| 6CB200 | 3,2 | 0,04 | 4,5 | 0,01 | 6,8 | 0,05 |
| 8CB250 | 4,1 | 0,08 | 8,6 | 0,03 | 8,6 | 0,10 |
| 10CB300 | 8,6 | 0,25 | 15 | 0,11 | 18 | 0,22 |
| 12CB350 | 12 | 0,46 | 24 | 0,23 | 21 | 0,34 |
| 14CB400 | 14 | 0,71 | 29 | 0,36 | 23 | 0,47 |

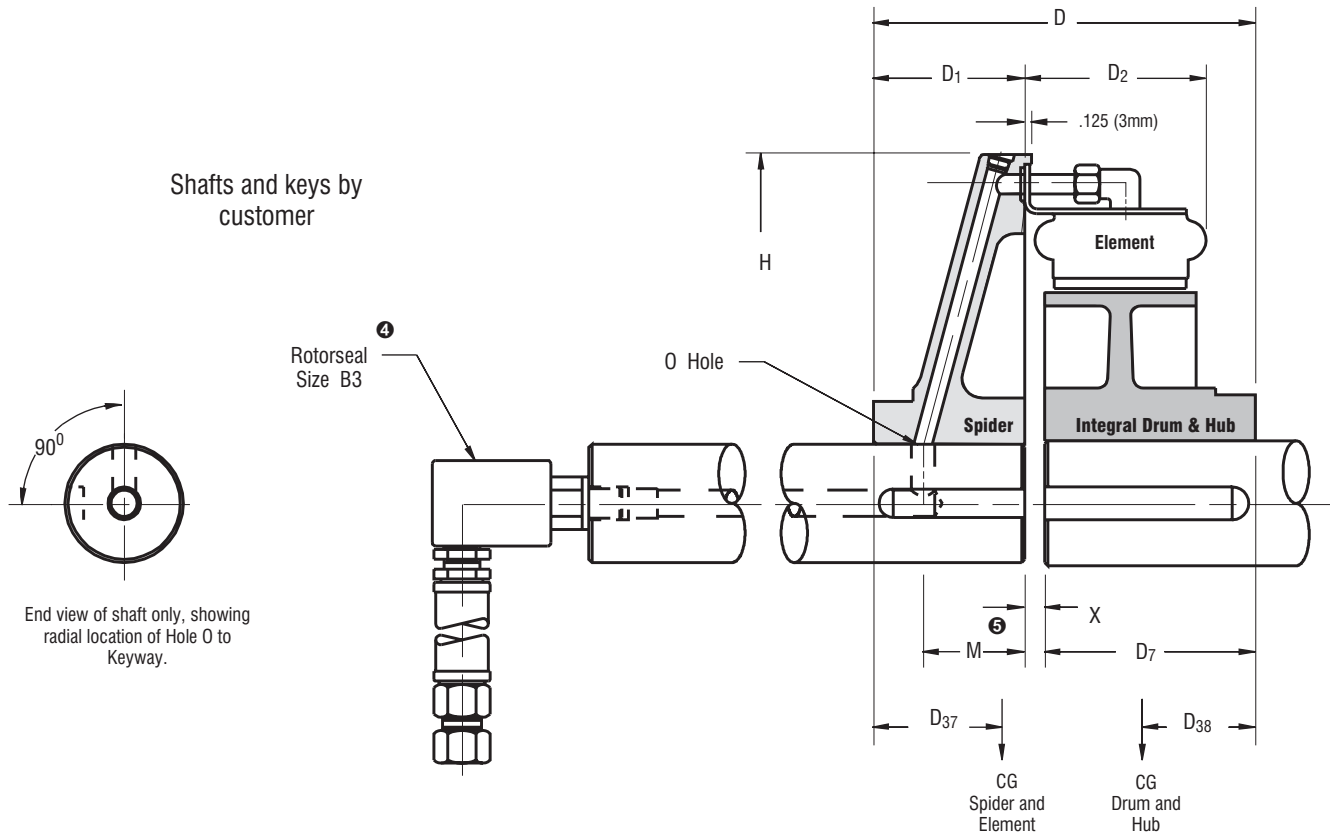
| SI ⑥ | kg | | kg m ² | | kg | | kg m ² | |
|------|----|--|-------------------|--|----|--|-------------------|--|
|------|----|--|-------------------|--|----|--|-------------------|--|

Notes:

- ① Refers to basic part number only and does not include the rotor seal and hose. When ordering, the number of element connections must be specified.
- ② Dynamic torque shown, static torque approximately 25% greater. Torque in each application is dependent upon air pressure and speed.
- ③ Based upon minimum bores. Rotor seal and hose not included.
- ④ Refer to Rotor Seal Section for mounting and dimension information.
- ⑤ $M = 0.268 (H/2 - \text{radius of bore}) + Y_1$
- ⑥ Based upon minimum bores.

Form CB-405

Close-Mounted Arrangement – Dimensional Data
Sizes 6 to 14



| English | | | | Dimensions in inches | | | | | | | | | | | | | |
|----------------|---------------|--------------------|-----------------|---------------------------|------|------|----------------|----------------|----------------|-----------------|-----------------|-------|------|------|----------------|--|--|
| | | lb in @ 75 psi | lb ^③ | | | | | | | | | | | | | | |
| 6CB200 | 104119 | 2040 | 32 | 1.00 | 2.50 | 5.63 | 2.38 | 2.94 | 2.88 | 2.40 | 1.50 | 11.13 | 0.44 | 0.38 | 0.34 | | |
| 8CB250 | 104120 | 4290 | 47 | 1.00 | 2.88 | 6.75 | 2.88 | 3.44 | 3.50 | 2.70 | 1.90 | 13.25 | 0.44 | 0.38 | 0.41 | | |
| 10CB300 | 104121 | 8150 | 92 | 1.25 | 3.31 | 8.00 | 3.56 | 4.13 | 4.00 | 2.50 | 2.10 | 15.75 | 0.44 | 0.44 | 0.41 | | |
| 12CB350 | 104122 | 13300 | 125 | 1.50 | 3.31 | 8.94 | 4.00 | 4.72 | 4.50 | 3.20 | 2.30 | 18.00 | 0.44 | 0.44 | 0.34 | | |
| 14CB400 | 104123 | 19700 | 146 | 2.00 | 4.25 | 9.96 | 4.34 | 5.22 | 5.00 | 3.40 | 2.60 | 20.00 | 0.44 | 0.56 | 0.34 | | |
| Size | ① Part Number | ② M, Torque Rating | Total Weight | Bore Range | | D | D ₁ | D ₂ | D ₇ | D ₃₇ | D ₃₈ | H | O | X | Y ₁ | | |
| | | | | Min. | Max. | | | | | | | | | | | | |
| | | | | Min. | Max. | | | | | | | | | | | | |
| 6CB200 | 104119 | 231 | 14 | 25 | 64 | 143 | 60 | 75 | 73 | 61 | 38 | 283 | 11 | 10 | 9 | | |
| 8CB250 | 104120 | 485 | 21 | 25 | 73 | 171 | 73 | 87 | 89 | 69 | 48 | 337 | 11 | 10 | 10 | | |
| 10CB300 | 104121 | 921 | 42 | 32 | 84 | 203 | 90 | 105 | 102 | 64 | 53 | 400 | 11 | 11 | 10 | | |
| 12CB350 | 104122 | 1500 | 57 | 38 | 84 | 227 | 102 | 120 | 114 | 81 | 58 | 457 | 11 | 11 | 9 | | |
| 14CB400 | 104123 | 2230 | 66 | 51 | 108 | 253 | 110 | 133 | 127 | 86 | 66 | 508 | 11 | 14 | 9 | | |
| SI | | | | Dimensions in millimeters | | | | | | | | | | | | | |
| | | Nm @ 5.2 bar | kg ^③ | | | | | | | | | | | | | | |

Form CB-404

Gap-Mounted Arrangement

| Size | Part Numbers | | | | | |
|----------------|------------------|------------|--------|----------|-----------|------------|
| | Element Assembly | | Drum | Drum Hub | Spider | |
| | One inlet | Two inlets | | | One inlet | Two inlets |
| 6CB200 | 142095JB | 142095JG | 407044 | 408414 | 408367 | 408368 |
| 8CB250 | 142096JB | 142096JG | 407046 | 406900 | 408369 | 408370 |
| 10CB300 | 142197JB | 142197JG | 407048 | 406902 | 408371 | 408372 |
| 12CB350 | 142098JB | 142098JG | 407050 | 406902 | 408373 | 408374 |
| 14CB400 | 142087JB | 142087JG | 407052 | 406904 | 408375 | 408376 |

| English ^⑥ | lb | lb ft ² | lb | lb ft ² | lb | lb ft ² | lb | lb ft ² |
|----------------------|----|--------------------|------|--------------------|----|--------------------|----|--------------------|
| 6CB200 | 7 | 1 | 5.5 | 0.3 | 8 | 0.1 | 15 | 1.2 |
| 8CB250 | 9 | 2 | 12.5 | 1.1 | 11 | 0.3 | 19 | 2.3 |
| 10CB300 | 19 | 6 | 19 | 2.7 | 22 | 0.8 | 40 | 5.3 |
| 12CB350 | 26 | 11 | 30 | 5.9 | 22 | 0.8 | 46 | 8.1 |
| 14CB400 | 31 | 17 | 38 | 10.5 | 54 | 3.2 | 50 | 11.2 |

| Size | Weight | | Weight | | Weight | | Weight | |
|----------------|---------|------|--------|------|----------|------|--------|------|
| | Element | | Drum | | Drum Hub | | Spider | |
| | Mass | J | Mass | J | Mass | J | Mass | J |
| 6CB200 | 3,2 | 0,04 | 2,5 | 0,01 | 3,6 | 0,00 | 6,8 | 0,05 |
| 8CB250 | 4,1 | 0,08 | 5,7 | 0,05 | 5,0 | 0,01 | 8,6 | 0,10 |
| 10CB300 | 8,6 | 0,25 | 8,6 | 0,11 | 10,0 | 0,03 | 18 | 0,22 |
| 12CB350 | 12 | 0,46 | 14 | 0,25 | 10,0 | 0,03 | 21 | 0,34 |
| 14CB400 | 14 | 0,71 | 17 | 0,44 | 24 | 0,13 | 23 | 0,47 |

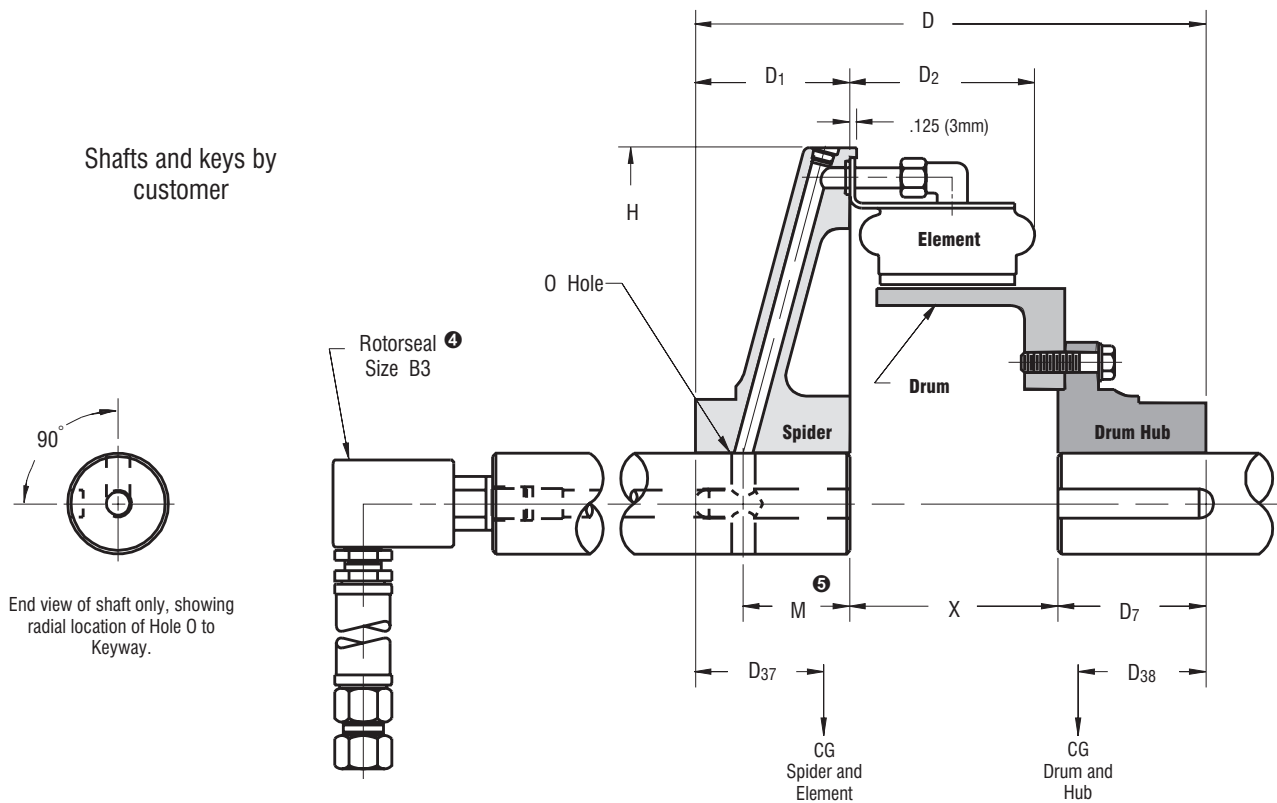
| SI ^⑥ | Kg | kg m ² | Kg | kg m ² | Kg | kg m ² | Kg | kg m ² |
|-----------------|----|-------------------|----|-------------------|----|-------------------|----|-------------------|
|-----------------|----|-------------------|----|-------------------|----|-------------------|----|-------------------|

Notes:

- ① Refers to basic part number only and does not include the rotorseal and hose. When ordering, the number of element connections must be specified.
- ② Dynamic torque shown, static torque approximately 25% greater. Torque in each application is dependent upon air pressure and speed.
- ③ Based upon minimum bores. Rotorseal and hose not included.
- ④ Refer to Rotorseal Section for mounting and dimension information.
- ⑤ $M = 0.268 (H/2 - \text{radius of bore}) + Y_1$
- ⑥ Based upon minimum bores.

Form CB-404

Gap-Mounted Arrangement – Dimensional Data
Sizes 6 to 14



| English | | lb in @ 75 psi | lb [ⓐ] | Dimensions in inches | | | | | | | | | | | |
|----------------|--------------------------|-------------------------------|-----------------|---------------------------|------|-------|----------------|----------------|----------------|-----------------|-----------------|-------|------|------|----------------|
| 6CB200 | 104114 | 2040 | 35.5 | 1.00 | 2.50 | 8.38 | 2.38 | 2.94 | 2.75 | 2.40 | 2.40 | 11.13 | 0.44 | 3.25 | 0.34 |
| 8CB250 | 104115 | 4290 | 51.5 | 1.00 | 2.88 | 9.38 | 2.88 | 3.44 | 2.75 | 2.70 | 2.70 | 13.25 | 0.44 | 3.75 | 0.41 |
| 10CB300 | 104116 | 8150 | 100 | 1.25 | 3.31 | 11.19 | 3.56 | 4.13 | 3.25 | 2.50 | 3.20 | 15.75 | 0.44 | 4.38 | 0.41 |
| 12CB350 | 104117 | 13300 | 124 | 1.50 | 3.31 | 12.25 | 4.00 | 4.72 | 3.25 | 3.20 | 3.50 | 18.00 | 0.44 | 5.00 | 0.34 |
| 14CB400 | 104118 | 19700 | 173 | 2.00 | 4.25 | 14.84 | 4.34 | 5.22 | 5.00 | 3.40 | 4.30 | 20.00 | 0.44 | 5.50 | 0.34 |
| Size | Part Number ^① | Mr Torque Rating ^② | Weight Mass | Bore Range | | D | D ₁ | D ₂ | D ₇ | D ₃₇ | D ₃₈ | H | O | X | Y ₁ |
| | | | | min | max | | | | | | | | | | |
| 6CB200 | 104114 | 231 | 16 | 25 | 64 | 213 | 60 | 75 | 70 | 61 | 61 | 283 | 11 | 83 | 9 |
| 8CB250 | 104115 | 485 | 23 | 25 | 73 | 238 | 73 | 87 | 70 | 69 | 69 | 337 | 11 | 95 | 10 |
| 10CB300 | 104116 | 921 | 45 | 32 | 84 | 284 | 90 | 105 | 83 | 64 | 81 | 400 | 11 | 111 | 10 |
| 12CB350 | 104117 | 1500 | 56 | 38 | 84 | 311 | 102 | 120 | 83 | 81 | 89 | 457 | 11 | 127 | 9 |
| 14CB400 | 104118 | 2230 | 78 | 51 | 108 | 377 | 110 | 133 | 127 | 86 | 109 | 508 | 11 | 140 | 9 |
| SI | | Nm @ 5,2 bar | Kg [ⓐ] | Dimensions in millimeters | | | | | | | | | | | |

Form CB-406

Gap-Mounted Arrangement – Technical Data
Sizes 16 to 45

| Size | Part Numbers | | | | |
|----------------|------------------|-------------|--------|----------|--------|
| | Element Assembly | | Drum | Drum Hub | Spider |
| | One inlet | Four inlets | | | |
| 16CB500 | 142211KM | 142211KP | 407053 | 406906 | 408276 |
| 18CB500 | 142264KM | 142264KP | 408285 | 406908 | 408277 |
| 20CB500 | 142265KM | 142265KP | 407055 | 406910 | 408278 |
| 22CB500 | 142266KM | 142266KP | 408287 | 406912 | 408279 |
| 24CB500 | 142267KM | 142267KP | 407057 | 406914 | 408280 |
| 26CB525 | 142268KM | 142268KP | 408289 | 406916 | 408281 |

| Size | Part Numbers | | | | |
|----------------|------------------|-------------|--------|----------|--------|
| | Element Assembly | | Drum | Drum Hub | Spider |
| | One inlet | Four inlets | | | |
| 28CB525 | 142269KM | 142269KP | 407059 | 406918 | 408282 |
| 30CB525 | 142270KM | 142270KP | 408343 | 406920 | 407096 |
| 32CB525 | 142271KM | 142271KP | 407061 | 406922 | 407097 |
| 36CB525 | 142272KM | 142272KP | 407063 | 406924 | 407098 |
| 40CB525 | 142273KM | 142273KP | 407065 | 406926 | 407099 |
| 45CB525 | 142081KM | 142081KP | 407067 | 406928 | 502369 |

| English ⑦ | lb | lb ft ² | lb | lb ft ² | lb | lb ft ² | lb | lb ft ² |
|----------------|-----|--------------------|-----|--------------------|-----|--------------------|------|--------------------|
| 16CB500 | 74 | 52 | 50 | 19 | 74 | 6.6 | 146 | 53 |
| 18CB500 | 81 | 70 | 67 | 31 | 83 | 9 | 152 | 63 |
| 20CB500 | 88 | 90 | 72 | 43 | 97 | 16 | 183 | 91 |
| 22CB500 | 95 | 114 | 79 | 58 | 133 | 25 | 227 | 123 |
| 24CB500 | 102 | 142 | 93 | 80 | 142 | 33 | 257 | 150 |
| 26CB525 | 133 | 210 | 108 | 110 | 164 | 43 | 298 | 220 |
| 28CB525 | 140 | 252 | 117 | 140 | 172 | 55 | 337 | 270 |
| 30CB525 | 148 | 303 | 140 | 192 | 213 | 69 | 341 | 390 |
| 32CB525 | 157 | 359 | 160 | 252 | 234 | 97 | 392 | 453 |
| 36CB525 | 178 | 510 | 160 | 319 | 319 | 157 | 505 | 710 |
| 40CB525 | 201 | 730 | 209 | 523 | 344 | 214 | 464 | 774 |
| 45CB525 | 262 | 1115 | 237 | 758 | 491 | 379 | 1294 | 1887 |

| Size | Weight | | Weight | | Weight | | Weight | |
|----------------|------------------|-------|--------|-------|----------|-------|--------|-------|
| | Element Assembly | | Drum | | Drum Hub | | Spider | |
| | Mass | J | Mass | J | Mass | J | Mass | J |
| 16CB500 | 34 | 2,18 | 23 | 0,80 | 34 | 0,28 | 66 | 2,23 |
| 18CB500 | 37 | 2,94 | 30 | 1,30 | 38 | 0,38 | 69 | 2,65 |
| 20CB500 | 40 | 3,78 | 33 | 1,81 | 44 | 0,67 | 83 | 3,82 |
| 22CB500 | 43 | 4,79 | 36 | 2,44 | 60 | 1,05 | 103 | 5,17 |
| 24CB500 | 46 | 5,96 | 42 | 3,36 | 64 | 1,39 | 116 | 6,30 |
| 26CB525 | 60 | 8,82 | 49 | 4,62 | 74 | 1,81 | 135 | 9,24 |
| 28CB525 | 63 | 10,58 | 53 | 5,88 | 78 | 2,31 | 153 | 11,34 |
| 30CB525 | 67 | 12,73 | 63 | 8,06 | 96 | 2,90 | 154 | 16,38 |
| 32CB525 | 71 | 15,08 | 72 | 10,58 | 106 | 4,07 | 178 | 19,03 |
| 36CB525 | 81 | 21,42 | 72 | 13,40 | 145 | 6,59 | 229 | 29,82 |
| 40CB525 | 91 | 30,66 | 95 | 21,97 | 156 | 8,99 | 210 | 32,51 |
| 45CB525 | 119 | 46,83 | 107 | 31,84 | 222 | 15,92 | 586 | 79,25 |

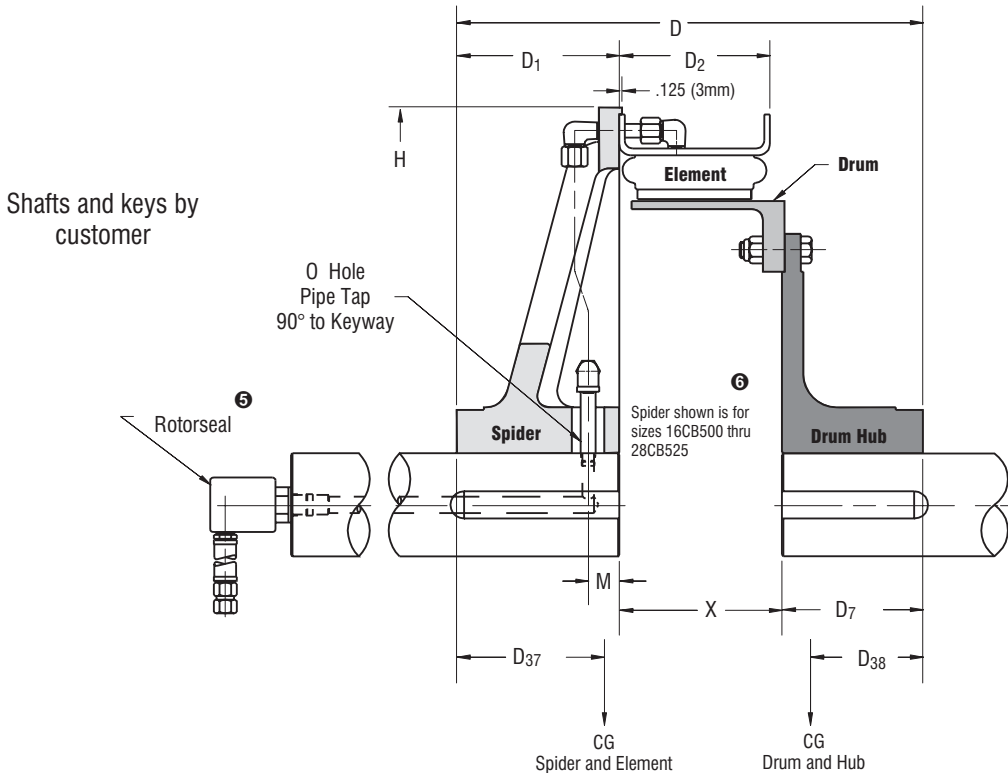
| SI ⑦ | kg | kg m ² | kg | kg m ² | kg | kg m ² | kg | kg m ² |
|------|----|-------------------|----|-------------------|----|-------------------|----|-------------------|
|------|----|-------------------|----|-------------------|----|-------------------|----|-------------------|

Notes:

- ① Refers to basic part number only and does not include the rotor seal and hose. When ordering, the number and type of element connections must be specified.
- ② Dynamic torque shown, static torque approximately 25% greater. Torque in each application is dependent upon air pressure and speed.
- ③ Based upon minimum bores. Rotor seal and hose not included.
- ④ American National Pipe Thread
- ⑤ Refer to Rotor Seal Section for mounting and dimension information.
- ⑥ Refer to CB Spider Piping and Configuration catalog page for other sizes.
- ⑦ Based upon minimum bores.

Form CB-406

Gap-Mounted Arrangement – Dimensional Data
Sizes 16 to 45



| English | | lb in @ 75 psi | lb ③ | Dimensions in inches | | | | | | | | | | | | | |
|---------|-------------|-----------------------|----------------|----------------------|------------|------|-------|----------------|----------------|----------------|-----------------|-----------------|-------|------|--------|------|--|
| Size | Part Number | M, ② Torque Rating | Rotorseal Size | Weight Mass | min | max | D | D ₁ | D ₂ | D ₇ | D ₃₇ | D ₃₈ | H | M ④ | O | X | |
| | | | | | Bore Range | | | | | | | | | | | | |
| | | | | | min | max | | | | | | | | | | | |
| 16CB500 | 104124 | 35200 | C2 | 344 | 2.00 | 4.88 | 18.31 | 5.50 | 6.63 | 5.75 | 5.20 | 5.30 | 24.00 | 1.44 | 3/8-18 | 7.06 | |
| 18CB500 | 104125 | 44000 | C2 | 383 | 2.25 | 5.00 | 18.31 | 5.50 | 6.63 | 5.75 | 5.30 | 5.40 | 26.00 | 1.44 | 3/8-18 | 7.06 | |
| 20CB500 | 104126 | 53600 | C2 | 440 | 2.50 | 5.00 | 18.31 | 5.50 | 6.63 | 5.75 | 5.30 | 5.50 | 28.00 | 1.44 | 3/8-18 | 7.06 | |
| 22CB500 | 104127 | 62300 | C2 | 534 | 2.75 | 5.69 | 19.56 | 6.00 | 6.63 | 6.50 | 5.40 | 5.80 | 30.00 | 1.44 | 3/8-18 | 7.06 | |
| 24CB500 | 104128 | 75000 | C2 | 594 | 2.75 | 5.69 | 20.06 | 6.50 | 6.63 | 6.50 | 5.60 | 5.90 | 32.00 | 1.44 | 3/8-18 | 7.06 | |
| 26CB525 | 104129 | 92400 | C2 | 703 | 2.75 | 5.69 | 20.50 | 6.50 | 6.94 | 6.50 | 5.90 | 6.00 | 34.63 | 1.44 | 3/8-18 | 7.50 | |
| 28CB525 | 104130 | 106000 | C2 | 766 | 2.75 | 5.69 | 21.50 | 7.50 | 6.94 | 6.50 | 6.60 | 6.00 | 36.63 | 1.44 | 3/8-18 | 7.50 | |
| 30CB525 | 104131 | 121000 | C2 | 842 | 3.00 | 6.31 | 23.00 | 7.50 | 6.94 | 8.00 | 6.80 | 7.20 | 38.63 | 1.44 | 3/8-18 | 7.50 | |
| 32CB525 | 104132 | 137000 | C2 | 943 | 3.00 | 6.06 | 23.00 | 7.50 | 6.94 | 8.00 | 6.60 | 7.40 | 40.63 | 1.44 | 3/8-18 | 7.50 | |
| 36CB525 | 104133 | 172000 | C2 | 1162 | 4.00 | 7.00 | 25.00 | 8.50 | 6.94 | 9.00 | 7.10 | 7.70 | 45.25 | 1.44 | 1/2-14 | 7.50 | |
| 40CB525 | 104134 | 211000 | 3/4 RH | 1218 | 4.00 | 7.00 | 25.00 | 8.50 | 6.94 | 9.00 | 7.60 | 8.10 | 49.25 | 1.44 | 1/2-14 | 7.50 | |
| 45CB525 | 104135 | 260000 | 3/4 RH | 2284 | 4.38 | 9.88 | 28.50 | 11.00 | 6.94 | 10.00 | 8.80 | 8.30 | 54.25 | 6.00 | 1/2-14 | 7.50 | |

| SI | | Nm @ 5,2 bar | kg ③ | Dimensions in millimeters | | | | | | | | | | | | | |
|---------|-------------|-----------------------|----------------|---------------------------|------------|-----|-----|----------------|----------------|----------------|-----------------|-----------------|------|-----|--------|-----|--|
| Size | Part Number | M, ② Torque Rating | Rotorseal Size | Weight Mass | min | max | D | D ₁ | D ₂ | D ₇ | D ₃₇ | D ₃₈ | H | M ④ | O | X | |
| | | | | | Bore Range | | | | | | | | | | | | |
| | | | | | min | max | | | | | | | | | | | |
| 16CB500 | 104124 | 3980 | C2 | 156 | 51 | 124 | 465 | 140 | 168 | 146 | 132 | 135 | 610 | 37 | 3/8-18 | 179 | |
| 18CB500 | 104125 | 4970 | C2 | 173 | 57 | 127 | 465 | 140 | 168 | 146 | 135 | 137 | 660 | 37 | 3/8-18 | 179 | |
| 20CB500 | 104126 | 6060 | C2 | 199 | 64 | 127 | 465 | 140 | 168 | 146 | 135 | 140 | 711 | 37 | 3/8-18 | 179 | |
| 22CB500 | 104127 | 7040 | C2 | 242 | 70 | 144 | 497 | 152 | 168 | 165 | 137 | 147 | 762 | 37 | 3/8-18 | 179 | |
| 24CB500 | 104128 | 8480 | C2 | 269 | 70 | 144 | 510 | 165 | 168 | 165 | 142 | 150 | 813 | 37 | 3/8-18 | 179 | |
| 26CB525 | 104129 | 10400 | C2 | 318 | 70 | 144 | 521 | 165 | 176 | 165 | 150 | 152 | 879 | 37 | 3/8-18 | 191 | |
| 28CB525 | 104130 | 12000 | C2 | 347 | 70 | 144 | 546 | 191 | 176 | 165 | 168 | 152 | 930 | 37 | 3/8-18 | 191 | |
| 30CB525 | 104131 | 13700 | C2 | 381 | 76 | 160 | 584 | 191 | 176 | 203 | 173 | 183 | 981 | 37 | 3/8-18 | 191 | |
| 32CB525 | 104132 | 15500 | C2 | 427 | 76 | 154 | 584 | 191 | 176 | 203 | 168 | 188 | 1032 | 37 | 3/8-18 | 191 | |
| 36CB525 | 104133 | 19400 | C2 | 526 | 102 | 178 | 635 | 216 | 176 | 229 | 180 | 196 | 1149 | 37 | 1/2-14 | 191 | |
| 40CB525 | 104134 | 23800 | 3/4 RH | 552 | 102 | 178 | 635 | 216 | 176 | 229 | 193 | 206 | 1251 | 37 | 1/2-14 | 191 | |
| 45CB525 | 104135 | 29400 | 3/4 RH | 1035 | 111 | 251 | 724 | 279 | 176 | 254 | 224 | 211 | 1378 | 152 | 1/2-14 | 191 | |

Form CB-407

Gap-Mounted Arrangement – Technical Data
Sizes Dual 12 to Dual 45

| Size | Part Number | | Drum | Drum Hub | Spider |
|---------|------------------|-------------|--------|----------|--------|
| | Element Assembly | | | | |
| | Two inlets | Four inlets | | | |
| 12CB350 | 142731DA | | 411860 | 406902 | 408374 |
| 14CB400 | 142604DA | | 411861 | 406904 | 408376 |
| 16CB500 | 142432DA | 142432DK | 411862 | 406906 | 408276 |
| 18CB500 | 142433DA | 142433DK | 411863 | 406908 | 408277 |
| 20CB500 | 142434DA | 142434DK | 411864 | 406910 | 408278 |
| 22CB500 | 142435DA | 142435DK | 411865 | 406912 | 408279 |
| 24CB500 | 142436DA | 142436DK | 411866 | 406914 | 408280 |

| Size | Part Number | | Drum | Drum Hub | Spider |
|---------|------------------|-------------|--------|----------|--------|
| | Element Assembly | | | | |
| | Two inlets | Four inlets | | | |
| 26CB525 | 142437DA | 142437DK | 411867 | 406916 | 408281 |
| 28CB525 | 142438DA | 142438DK | 411868 | 406918 | 408282 |
| 30CB525 | 142439DA | 142439DK | 411869 | 406920 | 407096 |
| 32CB525 | 142440DA | 142440DK | 411870 | 406922 | 407097 |
| 36CB525 | 142441DA | 142441DK | 411871 | 406924 | 407098 |
| 40CB525 | 142442DA | 142442DK | 411872 | 406926 | 407099 |
| 45CB525 | 142443DA | 142443DK | 411873 | 406928 | 502369 |

| English ^⑨ | lb | lb ft ² | lb | lb ft ² | lb | lb ft ² | lb | lb ft ² |
|----------------------|-----|--------------------|-----|--------------------|-----|--------------------|------|--------------------|
| 12CB350 | 58 | 24 | 61 | 13 | 22 | 0.8 | 46 | 8.1 |
| 14CB400 | 75 | 42 | 83 | 24 | 54 | 3.2 | 50 | 11.2 |
| 16CB500 | 151 | 106 | 109 | 43 | 74 | 6.6 | 146 | 53 |
| 18CB500 | 166 | 144 | 126 | 63 | 83 | 9 | 152 | 63 |
| 20CB500 | 180 | 185 | 139 | 87 | 97 | 16 | 183 | 91 |
| 22CB500 | 194 | 233 | 152 | 117 | 133 | 25 | 227 | 123 |
| 24CB500 | 209 | 292 | 173 | 156 | 142 | 33 | 257 | 150 |
| 26CB525 | 272 | 432 | 198 | 211 | 164 | 43 | 298 | 220 |
| 28CB525 | 286 | 517 | 216 | 268 | 172 | 55 | 337 | 270 |
| 30CB525 | 302 | 621 | 237 | 337 | 213 | 69 | 341 | 390 |
| 32CB525 | 321 | 736 | 254 | 413 | 234 | 97 | 392 | 453 |
| 36CB525 | 366 | 1052 | 287 | 597 | 319 | 157 | 505 | 710 |
| 40CB525 | 413 | 1502 | 327 | 840 | 344 | 214 | 464 | 774 |
| 45CB525 | 537 | 2293 | 369 | 1212 | 491 | 379 | 1294 | 1887 |

| Size | Weight | | Weight | | Weight | | Weight | |
|---------|------------------|-------|--------|-------|----------|-------|--------|-------|
| | Element Assembly | | Drum | | Drum Hub | | Spider | |
| | Mass | J | Mass | J | Mass | J | Mass | J |
| 12CB350 | 26 | 1,01 | 28 | 0,55 | 10 | 0,03 | 21 | 0,34 |
| 14CB400 | 34 | 1,76 | 38 | 1,01 | 24 | 0,13 | 23 | 0,47 |
| 16CB500 | 68 | 4,45 | 49 | 1,81 | 34 | 0,28 | 66 | 2,23 |
| 18CB500 | 75 | 6,05 | 57 | 2,65 | 38 | 0,38 | 69 | 2,65 |
| 20CB500 | 82 | 7,77 | 63 | 3,65 | 44 | 0,67 | 83 | 3,82 |
| 22CB500 | 88 | 9,79 | 69 | 4,91 | 60 | 1,05 | 103 | 5,17 |
| 24CB500 | 95 | 12,26 | 78 | 6,55 | 64 | 1,39 | 116 | 6,30 |
| 26CB525 | 123 | 18,14 | 90 | 8,86 | 74 | 1,81 | 135 | 9,24 |
| 28CB525 | 130 | 21,71 | 98 | 11,26 | 78 | 2,31 | 153 | 11,34 |
| 30CB525 | 137 | 26,08 | 107 | 14,15 | 96 | 2,90 | 154 | 16,38 |
| 32CB525 | 145 | 30,91 | 115 | 17,35 | 106 | 4,07 | 178 | 19,03 |
| 36CB525 | 166 | 44,18 | 130 | 25,07 | 145 | 6,59 | 229 | 29,82 |
| 40CB525 | 187 | 63,08 | 148 | 35,28 | 156 | 8,99 | 210 | 32,51 |
| 45CB525 | 243 | 96,31 | 167 | 50,90 | 222 | 15,92 | 586 | 79,25 |

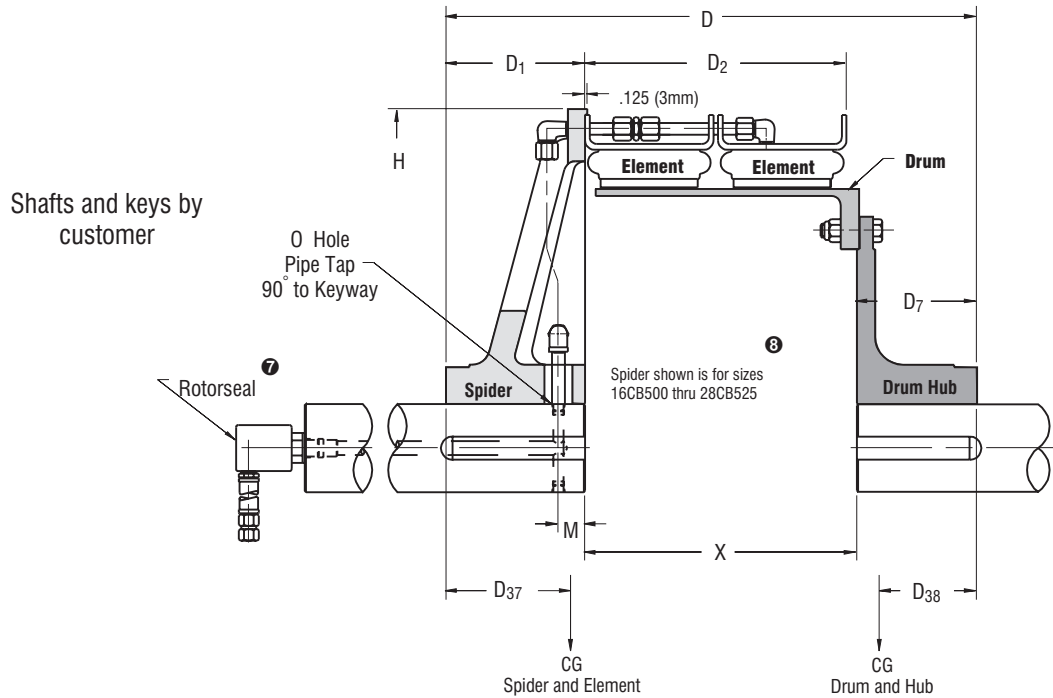
| SI ^⑨ | kg | kg m ² | kg | kg m ² | kg | kg m ² | kg | kg m ² |
|-----------------|----|-------------------|----|-------------------|----|-------------------|----|-------------------|
|-----------------|----|-------------------|----|-------------------|----|-------------------|----|-------------------|

Notes:

- ① Refers to basic part number only and does not include the rotorseal and hose. When ordering, the number and type of element connections must be specified.
- ② Dynamic torque shown, static torque approximately 25% greater. Torque in each application is dependent upon air pressure and speed.
- ③ Based upon minimum bores. Rotorseal and hose not included.
- ④ $M (in) = 0.268 (H/2 - \text{radius of bore}) + 0.34$
 $M (mm) = 0.268 (H/2 - \text{radius of bore}) + 8,7$
- ⑤ American National Pipe Thread
- ⑥ Pipe tap not required. Thru hole diameter 0.44 in (11 mm).
- ⑦ Refer to Rotorseal Section for mounting and dimension information.
- ⑧ Refer to CB Spider Piping and Configuration catalog page for other sizes.
- ⑨ Based upon minimum bores.

Form CB-407

Gap-Mounted Arrangement – Dimensional Data
Sizes Dual 12 to Dual 45



| English | Part Number | lb in @ 75 psi | Weight | Rotorseal Size | Dimensions in inches | | | | | | | | | | | | |
|---------|-------------|----------------|--------|----------------|---------------------------|------|-------|----------------|----------------|----------------|-----------------|-----------------|-------|------|--------|-------|---|
| | | | lb ③ | | min | max | D | D ₁ | D ₂ | D ₇ | D ₃₇ | D ₃₈ | H | M | ⑤ | O | X |
| | | | | | Bore Range | | | | | | | | | | | | |
| | | | | | min | max | | | | | | | | | | | |
| 12CB350 | 105480 | 26600 | C2 | 187 | 1.50 | 2.63 | 17.75 | 4.00 | 10.13 | 3.25 | 6.20 | 5.80 | 18.00 | ④ | ⑥ | 10.50 | |
| 14CB400 | 105481 | 39400 | C2 | 262 | 2.00 | 3.56 | 20.84 | 4.34 | 11.13 | 5.00 | 7.40 | 6.70 | 20.00 | ④ | ⑥ | 11.50 | |
| 16CB500 | 105482 | 70400 | C2 | 480 | 2.00 | 4.13 | 25.25 | 5.50 | 13.63 | 5.75 | 8.00 | 8.00 | 24.00 | 1.44 | 3/8-18 | 14.00 | |
| 18CB500 | 105483 | 88000 | C2 | 527 | 2.25 | 4.38 | 25.25 | 5.50 | 13.63 | 5.75 | 8.10 | 8.00 | 26.00 | 1.44 | 3/8-18 | 14.00 | |
| 20CB500 | 105522 | 107200 | C2 | 599 | 2.50 | 3.81 | 25.25 | 5.50 | 13.63 | 5.75 | 7.70 | 8.10 | 28.00 | 1.44 | 3/8-18 | 14.00 | |
| 22CB500 | 105484 | 124600 | C2 | 706 | 2.75 | 4.50 | 26.50 | 6.00 | 13.63 | 6.50 | 7.90 | 8.30 | 30.00 | 1.44 | 3/8-18 | 14.00 | |
| 24CB500 | 105485 | 150000 | C2 | 781 | 2.75 | 4.50 | 27.00 | 6.50 | 13.63 | 6.50 | 8.10 | 8.30 | 32.00 | 1.44 | 3/8-18 | 14.00 | |
| 26CB525 | 105486 | 184800 | 3/4 RH | 932 | 2.75 | 4.50 | 27.63 | 6.50 | 14.25 | 6.50 | 8.70 | 8.40 | 34.63 | 1.44 | 3/8-18 | 14.63 | |
| 28CB525 | 105487 | 212000 | 3/4 RH | 1011 | 2.75 | 3.81 | 28.75 | 7.50 | 14.44 | 6.50 | 9.30 | 8.70 | 36.63 | 1.44 | 3/8-18 | 14.75 | |
| 30CB525 | 105488 | 242000 | 3/4 RH | 1093 | 3.00 | 4.50 | 30.25 | 7.50 | 14.44 | 8.00 | 9.50 | 9.50 | 38.63 | 1.44 | 3/8-18 | 14.75 | |
| 32CB525 | 105489 | 274000 | 3/4 RH | 1201 | 3.00 | 4.00 | 30.25 | 7.50 | 14.44 | 8.00 | 9.30 | 9.70 | 40.63 | 1.44 | 3/8-18 | 14.75 | |
| 36CB525 | 105490 | 344000 | 3/4 RH | 1477 | 4.00 | 5.75 | 32.25 | 8.50 | 14.44 | 9.00 | 9.70 | 9.90 | 45.25 | 1.44 | 1/2-14 | 14.75 | |
| 40CB525 | 105491 | 422000 | 1 RH | 1548 | 4.00 | 4.88 | 32.25 | 8.50 | 14.44 | 9.00 | 10.40 | 10.10 | 49.25 | 1.44 | 1/2-14 | 14.75 | |
| 45CB525 | 105492 | 520000 | 1 RH | 2691 | 4.38 | 8.00 | 35.75 | 11.00 | 14.44 | 10.00 | 10.70 | 10.10 | 54.25 | 6.00 | 1/2-14 | 14.75 | |
| SI | Part Number | Nm @ 5,2 bar | Weight | Rotorseal Size | Dimensions in millimeters | | | | | | | | | | | | |
| | | | Kg ③ | | min | max | D | D ₁ | D ₂ | D ₇ | D ₃₇ | D ₃₈ | H | M | ⑤ | O | X |
| | | | | | min | max | | | | | | | | | | | |
| 12CB350 | 105480 | 3010 | C2 | 85 | 38 | 67 | 451 | 102 | 257 | 83 | 157 | 147 | 457 | ④ | ⑥ | 267 | |
| 14CB400 | 105481 | 4450 | C2 | 119 | 51 | 90 | 529 | 110 | 283 | 127 | 188 | 170 | 508 | ④ | ⑥ | 292 | |
| 16CB500 | 105482 | 7960 | C2 | 217 | 51 | 105 | 641 | 140 | 346 | 146 | 203 | 203 | 610 | 37 | 3/8-18 | 356 | |
| 18CB500 | 105483 | 9940 | C2 | 239 | 57 | 111 | 641 | 140 | 346 | 146 | 206 | 203 | 660 | 37 | 3/8-18 | 356 | |
| 20CB500 | 105522 | 12100 | C2 | 271 | 64 | 97 | 641 | 140 | 346 | 146 | 196 | 206 | 711 | 37 | 3/8-18 | 356 | |
| 22CB500 | 105484 | 14100 | C2 | 320 | 70 | 114 | 673 | 152 | 346 | 165 | 201 | 211 | 762 | 37 | 3/8-18 | 356 | |
| 24CB500 | 105485 | 17000 | C2 | 354 | 70 | 114 | 686 | 165 | 346 | 165 | 206 | 211 | 813 | 37 | 3/8-18 | 356 | |
| 26CB525 | 105486 | 20900 | 3/4 RH | 422 | 70 | 114 | 702 | 165 | 362 | 165 | 221 | 213 | 879 | 37 | 3/8-18 | 372 | |
| 28CB525 | 105487 | 24000 | 3/4 RH | 458 | 70 | 97 | 730 | 191 | 367 | 165 | 236 | 221 | 930 | 37 | 3/8-18 | 375 | |
| 30CB525 | 105488 | 27300 | 3/4 RH | 495 | 76 | 114 | 768 | 191 | 367 | 203 | 241 | 241 | 981 | 37 | 3/8-18 | 375 | |
| 32CB525 | 105489 | 31000 | 3/4 RH | 544 | 76 | 102 | 768 | 191 | 367 | 203 | 236 | 246 | 1032 | 37 | 3/8-18 | 375 | |
| 36CB525 | 105490 | 38900 | 3/4 RH | 669 | 102 | 146 | 819 | 216 | 367 | 229 | 246 | 251 | 1149 | 37 | 1/2-14 | 375 | |
| 40CB525 | 105491 | 47700 | 1 RH | 701 | 102 | 124 | 819 | 216 | 367 | 229 | 264 | 257 | 1251 | 37 | 1/2-14 | 375 | |
| 45CB525 | 105492 | 58800 | 1 RH | 1219 | 111 | 203 | 908 | 279 | 367 | 254 | 272 | 257 | 1378 | 152 | 1/2-14 | 375 | |

Form CB-408

Engine Mounted Arrangement – Technical Data
Sizes 12 to 45

| Size | Part Numbers | | | |
|----------------|------------------|-------------|--------|---------|
| | Element Assembly | | Drum | Spider |
| | Two inlets | Four inlets | | |
| 12CB350 | 142098JB | 142098JG Ⓞ | 411778 | 408373● |
| 14CB400 | 142087JB | 142087JG Ⓞ | 411779 | 408375■ |
| 16CB500 | 142211KM | 142211KP | 411780 | 408276 |
| 18CB500 | 142264KM | 142264KP | 411781 | 408277 |
| 20CB500 | 142265KM | 142265KP | 411782 | 408278 |
| 22CB500 | 142266KM | 142266KP | 411783 | 408279 |
| 24CB500 | 142267KM | 142267KP | 411784 | 408280 |

| Size | Part Numbers | | | |
|----------------|------------------|-------------|--------|--------|
| | Element Assembly | | Drum | Spider |
| | Two inlets | Four inlets | | |
| 26CB525 | 142268KM | 142268KP | 411786 | 408281 |
| 28CB525 | 142269KM | 142269KP | 411785 | 408282 |
| 30CB525 | 142270KM | 142270KP | 411787 | 407096 |
| 32CB525 | 142271KM | 142271KP | 411788 | 407097 |
| 36CB525 | 142272KM | 142272KP | 411789 | 407098 |
| 40CB525 | 142273KM | 142273KP | 411790 | 407099 |
| 45CB525 | 142081KM | 142081KP | 411791 | 502369 |

| English ▲ | lb | lb ft² | lb | lb ft² | lb | lb ft² |
|----------------|-----|--------|-----|--------|------|--------|
| 12CB350 | 30 | 12 | 26 | 6.4 | 46 | 8.1 |
| 14CB400 | 35 | 21 | 45 | 18 | 50 | 11.2 |
| 16CB500 | 74 | 52 | 63 | 31 | 146 | 53 |
| 18CB500 | 81 | 70 | 72 | 44 | 152 | 63 |
| 20CB500 | 88 | 90 | 126 | 102 | 183 | 91 |
| 22CB500 | 95 | 114 | 115 | 103 | 227 | 123 |
| 24CB500 | 102 | 142 | 130 | 139 | 257 | 150 |
| 26CB525 | 133 | 210 | 144 | 178 | 298 | 220 |
| 28CB525 | 140 | 252 | 143 | 200 | 337 | 270 |
| 30CB525 | 148 | 303 | 166 | 271 | 341 | 390 |
| 32CB525 | 157 | 359 | 177 | 327 | 392 | 453 |
| 36CB525 | 178 | 510 | 199 | 462 | 505 | 710 |
| 40CB525 | 201 | 730 | 220 | 631 | 464 | 774 |
| 45CB525 | 262 | 1115 | 248 | 893 | 1294 | 1887 |

| Size | Weight | Wk² | Weight | Wk² | Weight | Wk² |
|------|---------|-----|--------|-----|--------|-----|
| | Element | | Drum | | Spider | |

| SI ▲ | kg | kg m² | kg | kg m² | kg | kg m² |
|----------------|-----|-------|-----|-------|-----|-------|
| 12CB350 | 14 | 0,50 | 12 | 0,27 | 21 | 0,34 |
| 14CB400 | 16 | 0,88 | 20 | 0,76 | 23 | 0,47 |
| 16CB500 | 34 | 2,18 | 29 | 1,30 | 66 | 2,23 |
| 18CB500 | 37 | 2,94 | 33 | 1,85 | 69 | 2,65 |
| 20CB500 | 40 | 3,78 | 57 | 4,28 | 83 | 3,82 |
| 22CB500 | 43 | 4,79 | 52 | 4,33 | 103 | 5,17 |
| 24CB500 | 46 | 5,96 | 59 | 5,84 | 116 | 6,30 |
| 26CB525 | 60 | 8,82 | 65 | 7,48 | 135 | 9,24 |
| 28CB525 | 63 | 10,58 | 65 | 8,40 | 153 | 11,34 |
| 30CB525 | 67 | 12,73 | 75 | 11,38 | 154 | 16,38 |
| 32CB525 | 71 | 15,08 | 80 | 13,73 | 178 | 19,03 |
| 36CB525 | 81 | 21,42 | 90 | 19,40 | 229 | 29,82 |
| 40CB525 | 91 | 30,66 | 100 | 26,50 | 210 | 32,51 |
| 45CB525 | 119 | 46,83 | 112 | 37,51 | 586 | 79,25 |

| Size | Mass | J | Mass | J | Mass | J |
|------|---------|---|------|---|--------|---|
| | Element | | Drum | | Spider | |

Notes:

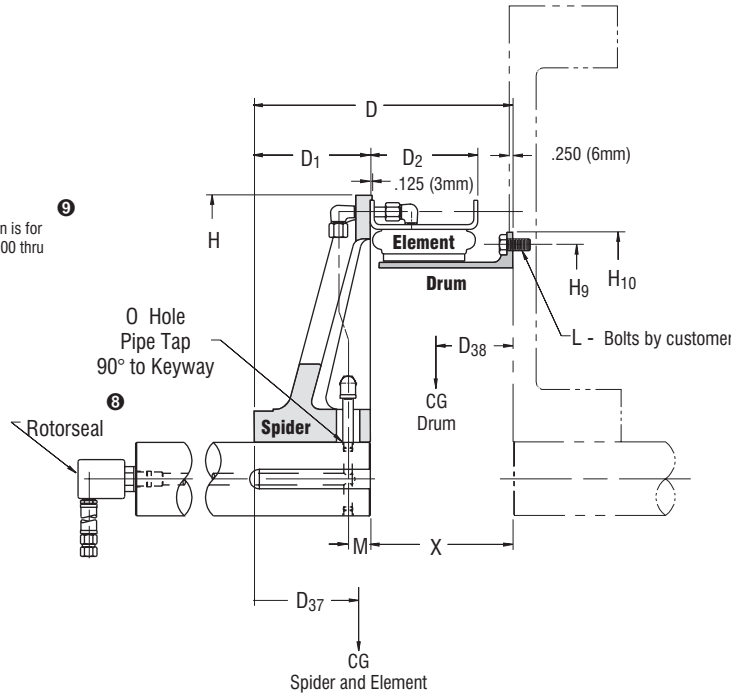
- ① Refers to basic part number only and does not include the rotor seal and hose. Element sizes 12 and 14 have either one or two inlets. All other sizes have either one or four air inlets.
- ② Dynamic torque shown, static torque approximately 25% greater. Torque in each application is dependent upon air pressure and speed.
- ③ Based upon minimum bores. Rotor seal and hose not included.
- ④ Drum flange tolerance +0.000/-0.003 in (+0,00/-0,08 mm).
- ⑤ $M (in) = 0.268 (H/2 - \text{radius of bore}) + 0.34$
 $M (mm) = 0.268 (H/2 - \text{radius of bore}) + 8,7$
- ⑥ American National Pipe Thread
- ⑦ Pipe tap not required. Thru hole diameter 0.44 in (11 mm).
- ⑧ Refer to Rotor seal Section for mounting and dimension information.
- ⑨ Refer to CB Spider Piping and Configuration catalog page for other sizes.
- ⑩ Part number for two inlets.
- Part number for one inlet. Part number for two inlets - 408374.
- Part number for one inlet. Part number for two inlets - 408376.
- ▲ Based upon minimum bore.

Form CB-408

Engine Mounted Arrangement – Dimensional Data
Sizes 12 to 45

Shafts and keys
by customer

Spider shown is for
sizes 16CB500 thru
28CB525



| English | | lb/in @ 75 psi | lb ③ | Dimensions in inches | | | | | | | | | | | | | | | | |
|---------|------------------|--------------------------|-------------------|----------------------|---------------------------|------|-------|----------------|----------------|-----------------|-----------------|-------|----------------|-------------------|----------|-------|--------|------|--------|------|
| 12CB350 | 104137 | 13300 | B2 | 102 | 1.50 | 3.31 | 10.56 | 4.00 | 4.72 | 3.20 | 2.20 | 18.00 | 13.125 | 13.875 | 8 | 0.375 | 1.00 | ⑤ | ⑦ | 6.56 |
| 14CB400 | 104140 | 19700 | B2 | 130 | 2.00 | 4.25 | 11.53 | 4.34 | 5.22 | 3.40 | 2.00 | 20.00 | 17.250 | 18.375 | 8 | 0.500 | 1.25 | ⑤ | ⑦ | 7.19 |
| 16CB500 | 104142 | 35200 | C2 | 283 | 2.00 | 4.88 | 14.19 | 5.50 | 6.63 | 5.20 | 2.60 | 24.00 | 19.250 | 20.375 | 8 | 0.500 | 1.25 | 1.44 | 3/8-18 | 8.69 |
| 18CB500 | 104144 | 44000 | C2 | 305 | 2.25 | 5.00 | 14.19 | 5.50 | 6.63 | 5.30 | 2.60 | 26.00 | 21.375 | 22.500 | 6 | 0.625 | 1.25 | 1.44 | 3/8-18 | 8.69 |
| 20CB500 | 104145 | 53600 | C2 | 397 | 2.50 | 5.00 | 14.19 | 5.50 | 6.63 | 5.30 | 2.30 | 28.00 | 25.250 | 26.500 | 12 | 0.625 | 1.25 | 1.44 | 3/8-18 | 8.69 |
| 22CB500 | 104147 | 62300 | C2 | 437 | 2.75 | 5.69 | 14.69 | 6.00 | 6.63 | 5.40 | 2.60 | 30.00 | 25.250 | 26.500 | 12 | 0.625 | 1.25 | 1.44 | 3/8-18 | 8.69 |
| 24CB500 | 104148 | 75000 | C2 | 489 | 2.75 | 5.69 | 15.19 | 6.50 | 6.63 | 5.60 | 2.60 | 32.00 | 27.250 | 28.875 | 12 | 0.750 | 1.25 | 1.44 | 3/8-18 | 8.69 |
| 26CB525 | 104149 | 92400 | C2 | 575 | 2.75 | 5.69 | 15.69 | 6.50 | 6.94 | 5.90 | 2.80 | 34.63 | 29.250 | 30.750 | 12 | 0.750 | 1.50 | 1.44 | 3/8-18 | 9.19 |
| 28CB525 | 104150 | 106000 | C2 | 620 | 2.75 | 5.69 | 16.69 | 7.50 | 6.94 | 6.60 | 3.00 | 36.63 | 30.250 | 31.875 | 12 | 0.750 | 1.50 | 1.44 | 3/8-18 | 9.19 |
| 30CB525 | 104151 | 121000 | C2 | 655 | 3.00 | 6.31 | 16.69 | 7.50 | 6.94 | 6.80 | 2.80 | 38.63 | 33.000 | 34.750 | 12 | 0.750 | 1.50 | 1.44 | 3/8-18 | 9.19 |
| 32CB525 | 105472 | 137000 | C2 | 726 | 3.00 | 6.06 | 16.69 | 7.50 | 6.94 | 6.60 | 2.80 | 40.63 | 35.250 | 36.750 | 14 | 0.750 | 1.50 | 1.44 | 3/8-18 | 9.19 |
| 36CB525 | 105473 | 172000 | C2 | 882 | 4.00 | 7.00 | 17.69 | 8.50 | 6.94 | 7.10 | 2.80 | 45.25 | 39.250 | 40.750 | 16 | 0.750 | 1.50 | 1.44 | 1/2-14 | 9.19 |
| 40CB525 | 104153 | 211000 | 3/4 RH | 885 | 4.00 | 7.00 | 17.69 | 8.50 | 6.94 | 7.60 | 2.80 | 49.25 | 43.250 | 44.750 | 16 | 0.750 | 1.50 | 1.44 | 1/2-14 | 9.19 |
| 45CB525 | 105474 | 260000 | 3/4 RH | 1804 | 4.38 | 9.88 | 20.19 | 11.00 | 6.94 | 8.80 | 2.90 | 54.25 | 48.250 | 49.750 | 16 | 0.750 | 1.50 | 6.00 | 1/2-14 | 9.19 |
| Size | Part Number ① | M, Torque Rating ② | Rotorseal Size | Weight Mass | Spider Bore | | D | D ₁ | D ₂ | D ₃₇ | D ₃₈ | H | H ₉ | H ₁₀ ③ | L (Bolt) | | | M | O | X |
| | | | | | min | max | | | | | | | | | No. | Dia. | Length | | | |
| | | | | | min | max | | | | | | | | | No. | Dia. | Length | | | |
| 12CB350 | 104137 | 1500 | B2 | 46 | 38 | 84 | 268 | 102 | 120 | 81 | 56 | 457 | 333,4 | 352,4 | 8 | 10 | 25 | ⑤ | ⑦ | 167 |
| 14CB400 | 104140 | 2230 | B2 | 59 | 51 | 108 | 293 | 110 | 133 | 86 | 51 | 508 | 438,2 | 466,7 | 8 | 13 | 32 | ⑤ | ⑦ | 183 |
| 16CB500 | 104142 | 3980 | C2 | 128 | 51 | 124 | 360 | 140 | 168 | 132 | 66 | 610 | 489,0 | 517,5 | 8 | 13 | 32 | 37 | 3/8-18 | 221 |
| 18CB500 | 104144 | 4970 | C2 | 138 | 57 | 127 | 360 | 140 | 168 | 135 | 66 | 660 | 542,9 | 571,5 | 6 | 16 | 32 | 37 | 3/8-18 | 221 |
| 20CB500 | 104145 | 6060 | C2 | 180 | 64 | 127 | 360 | 140 | 168 | 135 | 58 | 711 | 641,4 | 673,1 | 12 | 16 | 32 | 37 | 3/8-18 | 221 |
| 22CB500 | 104147 | 7040 | C2 | 198 | 70 | 144 | 373 | 152 | 168 | 137 | 66 | 762 | 641,4 | 673,1 | 12 | 16 | 32 | 37 | 3/8-18 | 221 |
| 24CB500 | 104148 | 8480 | C2 | 222 | 70 | 144 | 386 | 165 | 168 | 142 | 66 | 813 | 692,2 | 733,4 | 12 | 19 | 32 | 37 | 3/8-18 | 221 |
| 26CB525 | 104149 | 10400 | C2 | 260 | 70 | 144 | 398 | 165 | 176 | 150 | 71 | 879 | 743,0 | 781,1 | 12 | 19 | 38 | 37 | 3/8-18 | 233 |
| 28CB525 | 104150 | 12000 | C2 | 281 | 70 | 144 | 424 | 191 | 176 | 168 | 76 | 930 | 768,4 | 809,6 | 12 | 19 | 38 | 37 | 3/8-18 | 233 |
| 30CB525 | 104151 | 13700 | C2 | 297 | 76 | 160 | 424 | 191 | 176 | 173 | 71 | 981 | 838,2 | 882,7 | 12 | 19 | 38 | 37 | 1/2-14 | 233 |
| 32CB525 | 105472 | 15500 | C2 | 329 | 76 | 154 | 424 | 191 | 176 | 168 | 71 | 1032 | 895,4 | 933,5 | 14 | 19 | 38 | 37 | 1/2-14 | 233 |
| 36CB525 | 105473 | 19400 | C2 | 400 | 102 | 178 | 449 | 216 | 176 | 180 | 71 | 1149 | 997,0 | 1035,1 | 16 | 19 | 38 | 37 | 1/2-14 | 233 |
| 40CB525 | 104153 | 23800 | 3/4 RH | 401 | 102 | 178 | 449 | 216 | 176 | 193 | 71 | 1251 | 1098,6 | 1136,7 | 16 | 19 | 38 | 37 | 1/2-14 | 233 |
| 45CB525 | 105474 | 29400 | 3/4 RH | 817 | 111 | 251 | 513 | 279 | 176 | 224 | 74 | 1378 | 1225,6 | 1263,7 | 16 | 19 | 38 | 152 | 1/2-14 | 233 |
| SI | | Nm @ 5,2 bar | | kg ④ | Dimensions in millimeters | | | | | | | | | | | | | | | |

Form CB427

Engine Mounted Arrangements – Technical Data
Sizes Dual 12 to Dual 28

| Size | Part Numbers | | | |
|---------|------------------|-------------|--------|--------|
| | Element Assembly | | Drum | Spider |
| | Two inlets | Four inlets | | |
| 12CB350 | 142731DA | | 408648 | 408374 |
| 14CB400 | 142604DA | | 411707 | 408376 |
| 16CB500 | 142432DA | 142432DK | 408682 | 408276 |
| 18CB500 | 142433DA | 142433DK | 410523 | 408277 |
| 20CB500 | 142434DA | 142434DK | 404605 | 408278 |
| 22CB500 | 142435DA | 142435DK | 406030 | 408279 |
| 24CB500 | 142436DA | 142436DK | 402145 | 408280 |
| 26CB525 | 142437DA | 142437DK | 411453 | 408281 |
| 28CB525 | 142438DA | 142438DK | 404942 | 408282 |

| Size | English Units | | | | | |
|---------|---------------|------------------------------------|-----------|------------------------------------|-----------|------------------------------------|
| | Element Ass'y | | Drum | | Spider | |
| | Weight lb | Wk ² lb ft ² | Weight lb | Wk ² lb ft ² | Weight lb | Wk ² lb ft ² |
| 12CB350 | 58 | 24 | 100 | 28 | 46 | 8.1 |
| 14CB400 | 75 | 42 | 103 | 47 | 50 | 11.2 |
| 16CB500 | 151 | 106 | 182 | 103 | 146 | 53 |
| 18CB500 | 166 | 144 | 201 | 126 | 152 | 63 |
| 20CB500 | 180 | 185 | 191 | 144 | 183 | 91 |
| 22CB500 | 194 | 233 | 186 | 159 | 227 | 123 |
| 24CB500 | 209 | 292 | 208 | 212 | 257 | 150 |
| 26CB525 | 272 | 432 | 234 | 278 | 298 | 220 |
| 28CB525 | 286 | 517 | 240 | 326 | 337 | 270 |

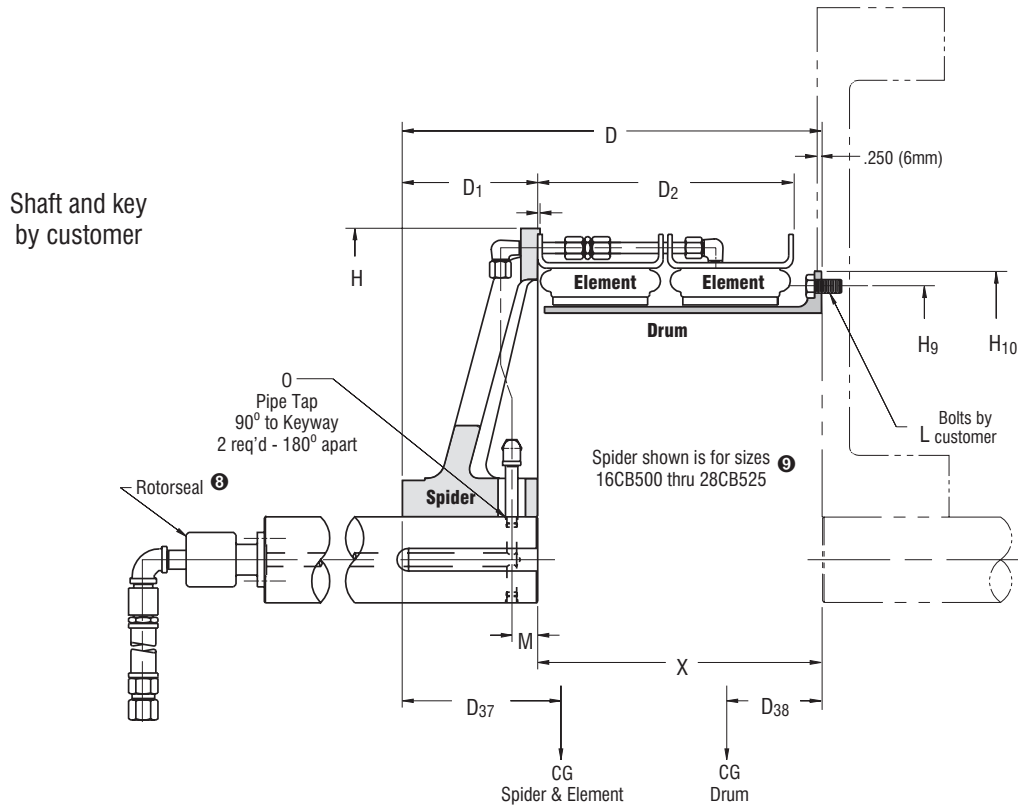
| Size | SI Units | | | | | |
|---------|---------------|---------------------|---------|---------------------|---------|---------------------|
| | Element Ass'y | | Drum | | Spider | |
| | Mass kg | J kg m ² | Mass kg | J kg m ² | Mass kg | J kg m ² |
| 12CB350 | 26 | 1,01 | 45 | 1,18 | 21 | 0,34 |
| 14CB400 | 34 | 1,76 | 47 | 1,97 | 23 | 0,47 |
| 16CB500 | 68 | 4,45 | 82 | 4,33 | 66 | 2,23 |
| 18CB500 | 75 | 6,05 | 91 | 5,29 | 69 | 2,65 |
| 20CB500 | 82 | 7,77 | 87 | 6,05 | 83 | 3,82 |
| 22CB500 | 88 | 9,79 | 84 | 6,68 | 103 | 5,17 |
| 24CB500 | 95 | 12,26 | 94 | 8,90 | 116 | 6,30 |
| 26CB525 | 123 | 18,14 | 106 | 11,68 | 135 | 9,24 |
| 28CB525 | 130 | 21,71 | 109 | 13,69 | 153 | 11,34 |

Notes:

- ① Refers to basic part number only and does not include the rotorseal and hose. Element sizes 12 and 14 have two inlets. All other sizes have either two or four air inlets.
- ② Dynamic torque shown, static torque approximately 25% greater. Torque in each application is dependent upon air pressure and speed.
- ③ Based upon minimum bores. Rotorseal and hose not included.
- ④ Drum flange tolerance +0.000/-0.003 in (+0,00/-0,08 mm).
- ⑤ $M (in) = 0.268 (H/2 - \text{radius of bore}) + 0.34$
 $M (mm) = 0,268 (H/2 - \text{radius of bore}) + 8,7$
- ⑥ American National Pipe Thread
- ⑦ Pipe tap not required. Thru hole diameter 0.44 in (11 mm).
- ⑧ Refer to Rotorseal Section for mounting and dimension information.
- ⑨ Refer to CB Spider Piping and Configuration catalog page for other sizes.
- ⑩ Based upon minimum bores.

Form CB427

Engine Mounted Arrangements – Dimensional Data
Sizes Dual 12 to Dual 28



| English | | lb in @ 75 psi | lb ^③ | Dimensions in inches | | | | | | | | | | | | | | | | | |
|---------|----------|-------------------------------------|-----------------------|---------------------------|-------------|-----|-----|----------------|----------------|-----------------|-----------------|-----|----------------|-----------------|----|-----------------|------|--------|--------|-----|---|
| Size | Part No. | M, ② Dynamic Torque Rating | Rotor seal Size | Weight Mass | Spider Bore | | D | D ₁ | D ₂ | D ₃₇ | D ₃₈ | H | H ₉ | H ₁₀ | ④ | No. Dia. Length | | | M | O | X |
| | | | | | min | max | | | | | | | | | | No. | Dia. | Length | | | |
| 12CB350 | 105500 | 3010 | C2 | 92 | 38 | 67 | 422 | 102 | 257 | 157 | 112 | 457 | 438,2 | 466,7 | 8 | 13 | 38 | ⑤ | ⑦ | 321 | |
| 14CB400 | 105501 | 4450 | C2 | 103 | 51 | 90 | 455 | 110 | 283 | 188 | 91 | 508 | 542,9 | 571,5 | 6 | 16 | 44 | ⑤ | ⑦ | 344 | |
| 16CB500 | 105502 | 7960 | C2 | 217 | 51 | 105 | 521 | 140 | 346 | 203 | 117 | 610 | 641,4 | 673,1 | 12 | 16 | 44 | 37 | 3/8-18 | 381 | |
| 18CB500 | 105503 | 9940 | C2 | 235 | 57 | 111 | 564 | 140 | 346 | 206 | 147 | 660 | 641,4 | 673,1 | 12 | 16 | 44 | 37 | 3/8-18 | 424 | |
| 20CB500 | 105504 | 12100 | C2 | 251 | 64 | 97 | 564 | 140 | 346 | 196 | 142 | 711 | 641,4 | 673,1 | 12 | 16 | 51 | 37 | 3/8-18 | 424 | |
| 22CB500 | 105505 | 14100 | C2 | 275 | 70 | 114 | 576 | 152 | 346 | 201 | 157 | 762 | 641,4 | 673,1 | 12 | 16 | 51 | 37 | 3/8-18 | 424 | |
| 24CB500 | 105506 | 17000 | C2 | 305 | 70 | 114 | 589 | 165 | 346 | 206 | 155 | 813 | 692,2 | 733,4 | 12 | 19 | 57 | 37 | 3/8-18 | 424 | |
| 26CB525 | 105507 | 20900 | 3/4 | 364 | 70 | 114 | 614 | 165 | 362 | 221 | 168 | 879 | 743,0 | 781,1 | 12 | 19 | 57 | 37 | 3/8-18 | 449 | |
| 28CB525 | 105508 | 24000 | 3/4 | 391 | 70 | 97 | 640 | 191 | 367 | 236 | 175 | 930 | 768,4 | 809,6 | 12 | 19 | 57 | 37 | 3/8-18 | 449 | |
| SI | | Nm @ 5,2 bar | kg ^③ | Dimensions in millimeters | | | | | | | | | | | | | | | | | |

Form CB-409

Air Bridge Arrangement – Technical Data
Sizes 12 to 45

| Size | Part Numbers | | | |
|----------------|------------------|--------|----------|------------|
| | Element Assembly | Drum | Drum Hub | Air Bridge |
| 12CB350 | 142098KH | 407049 | 406903 | 411807 |
| 14CB400 | 142087KH | 407051 | 406905 | 401546 |
| 16CB500 | 142211KT | 407053 | 406907 | 408165 |
| 18CB500 | 142264KT | 408285 | 406909 | 407294 |
| 20CB500 | 142265KT | 407055 | 406911 | 407296 |
| 22CB500 | 142266KT | 408287 | 406913 | 407307 |
| 24CB500 | 142267KT | 407057 | 406915 | 12038 |

| Size | Part Numbers | | | |
|----------------|------------------|--------|----------|------------|
| | Element Assembly | Drum | Drum Hub | Air Bridge |
| 26CB525 | 142268KT | 408289 | 406917 | 411796 |
| 28CB525 | 142269KT | 407059 | 406919 | 400878 |
| 30CB525 | 142270KT | 408343 | 406921 | 400203 |
| 32CB525 | 142271KT | 407061 | 406923 | 400764 |
| 36CB525 | 142272KT | 407063 | 406925 | 400410 |
| 40CB525 | 142273KT | 407065 | 406927 | 411797 |
| 45CB525 | 142081KT | 407067 | 406929 | 411798 |

| Size | English Units | | | | | | | |
|----------------|---------------|------------------------------------|-----------|------------------------------------|-----------|------------------------------------|------------|------------------------------------|
| | Element Ass'y | | Drum | | Drum Hub | | Air Bridge | |
| | Weight lb | Wk ² lb ft ² | Weight lb | Wk ² lb ft ² | Weight lb | Wk ² lb ft ² | Weight lb | Wk ² lb ft ² |
| 12CB350 | 30 | 12 | 30 | 5.9 | 22 | 0.8 | 2 | 0.2 |
| 14CB400 | 35 | 21 | 38 | 10.5 | 54 | 3.2 | 2 | 0.3 |
| 16CB500 | 74 | 52 | 50 | 19 | 74 | 6.6 | 6 | 1.3 |
| 18CB500 | 81 | 70 | 67 | 31 | 83 | 9 | 14 | 10.3 |
| 20CB500 | 88 | 90 | 72 | 43 | 97 | 16 | 15 | 12.5 |
| 22CB500 | 95 | 114 | 79 | 58 | 133 | 25 | 15 | 16 |
| 24CB500 | 102 | 142 | 93 | 80 | 142 | 33 | 19 | 22 |
| 26CB525 | 133 | 210 | 108 | 110 | 164 | 43 | 19 | 25 |
| 28CB525 | 140 | 252 | 117 | 140 | 172 | 55 | 19 | 29 |
| 30CB525 | 148 | 303 | 140 | 192 | 213 | 69 | 20 | 32 |
| 32CB525 | 157 | 359 | 160 | 252 | 234 | 97 | 19 | 32 |
| 36CB525 | 178 | 510 | 160 | 319 | 319 | 157 | 19 | 42 |
| 40CB525 | 201 | 730 | 209 | 523 | 344 | 214 | 23 | 56 |
| 45CB525 | 262 | 1115 | 237 | 758 | 491 | 379 | 24 | 66 |

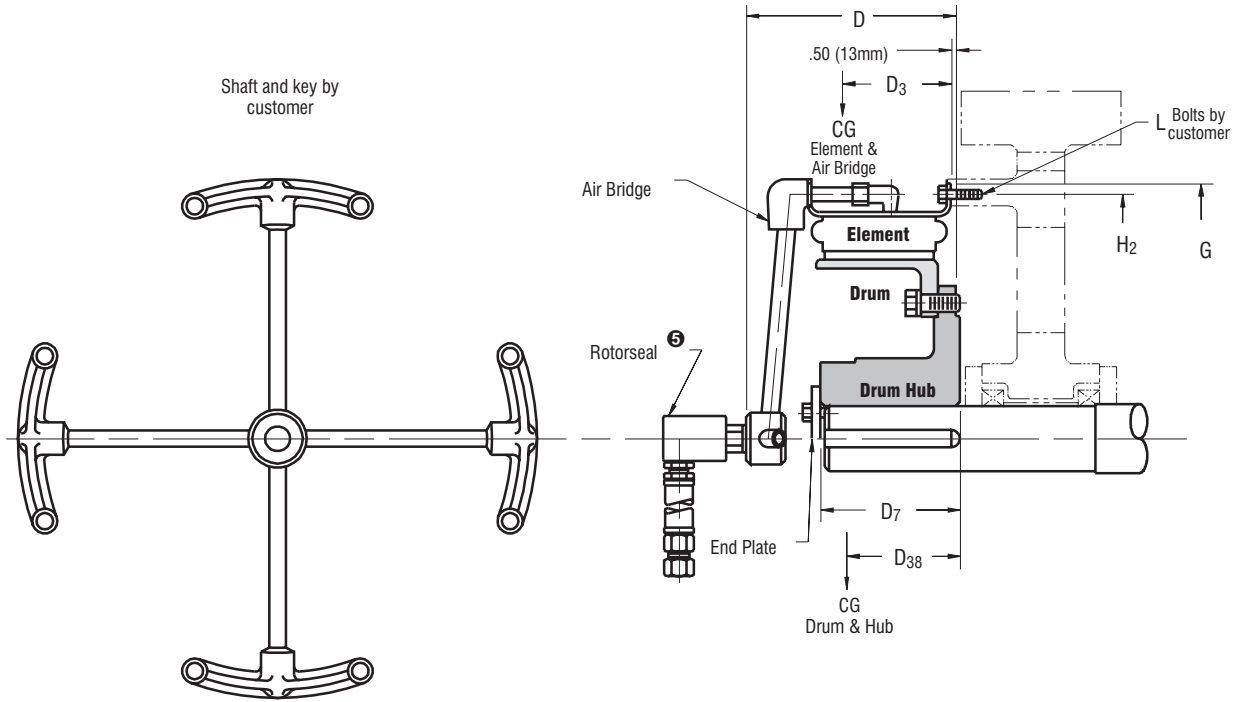
| Size | SI Units | | | | | | | |
|----------------|---------------|---------------------|---------|---------------------|----------|---------------------|------------|---------------------|
| | Element Ass'y | | Drum | | Drum Hub | | Air Bridge | |
| | Mass kg | J kg m ² | Mass kg | J kg m ² | Mass kg | J kg m ² | Mass kg | J kg m ² |
| 12CB350 | 14 | 0,50 | 14 | 0,25 | 10,0 | 0,03 | 0,9 | 0,01 |
| 14CB400 | 16 | 0,88 | 17 | 0,44 | 24 | 0,13 | 0,9 | 0,01 |
| 16CB500 | 34 | 2,18 | 23 | 0,80 | 34 | 0,28 | 2,7 | 0,05 |
| 18CB500 | 37 | 2,94 | 30 | 1,30 | 38 | 0,38 | 6,3 | 0,43 |
| 20CB500 | 40 | 3,78 | 33 | 1,81 | 44 | 0,67 | 6,8 | 0,53 |
| 22CB500 | 43 | 4,79 | 36 | 2,44 | 60 | 1,05 | 6,8 | 0,67 |
| 24CB500 | 46 | 5,96 | 42 | 3,36 | 64 | 1,39 | 8,6 | 0,92 |
| 26CB525 | 60 | 8,82 | 49 | 4,62 | 74 | 1,81 | 8,6 | 1,05 |
| 28CB525 | 63 | 10,58 | 53 | 5,88 | 78 | 2,31 | 8,6 | 1,22 |
| 30CB525 | 67 | 12,73 | 63 | 8,06 | 96 | 2,90 | 9,1 | 1,34 |
| 32CB525 | 71 | 15,08 | 72 | 10,58 | 106 | 4,07 | 8,6 | 1,34 |
| 36CB525 | 81 | 21,42 | 72 | 13,40 | 145 | 6,59 | 8,6 | 1,76 |
| 40CB525 | 91 | 30,66 | 95 | 21,97 | 156 | 8,99 | 10 | 2,35 |
| 45CB525 | 119 | 46,83 | 107 | 31,84 | 222 | 15,92 | 11 | 2,77 |

Notes:

- ① Refers to basic part number only and does not include the rotor seal and hose. Element sizes 12 and 14 have two air inlets. All other sizes have either two or four air inlets.
- ② Dynamic torque shown, static torque approximately 25% greater. Torque in each application is dependent upon air pressure and speed.
- ③ Based upon minimum bores. Rotor seal and hose not included.
- ④ Tolerance for sizes:
12 thru 24, 28 and 32
+0.000/-0.005 in (+0,00/-0,13 mm)
26 and 30
+0.000/-0.008 in (+0,00/-0,20 mm)
36 thru 45
+0.000/-0.010 in (+0,00/-0,25 mm)
- ⑤ Refer to Rotor Seal Section for mounting and dimension information.
- ⑥ Based upon minimum bores.

Form CB-409

Air Bridge Arrangement – Dimensional Data
Sizes 12 to 45



| English | | lb in @ 75 psi | lb Ⓢ | Dimensions in inches | | | | | | | | | | |
|---------|---------------|--------------------|----------------|---------------------------|----------|------|-------|-------|-----|-----|--------|--------|----------|-------|
| 12CB350 | 104420 | 13300 | B3 | 84 | 1.50 | 3.31 | 7.75 | 3.25 | 2.7 | 2.2 | 17.625 | 16.875 | 14 | 0.375 |
| 14CB400 | 104421 | 19700 | B3 | 129 | 2.00 | 4.25 | 8.38 | 5.00 | 2.9 | 3.3 | 19.625 | 18.875 | 16 | 0.375 |
| 16CB500 | 104422 | 35200 | C2 | 204 | 2.00 | 4.88 | 9.25 | 5.75 | 3.7 | 3.8 | 23.500 | 22.500 | 8 | 0.500 |
| 18CB500 | 104423 | 44000 | C2 | 245 | 2.25 | 5.00 | 9.31 | 5.75 | 4.0 | 4.0 | 25.500 | 24.375 | 12 | 0.500 |
| 20CB500 | 104424 | 53600 | C2 | 272 | 2.50 | 5.00 | 9.38 | 5.75 | 3.9 | 4.1 | 27.500 | 26.375 | 12 | 0.500 |
| 22CB500 | 104425 | 62300 | C2 | 322 | 2.75 | 5.69 | 9.44 | 6.50 | 3.9 | 4.6 | 29.500 | 28.375 | 12 | 0.500 |
| 24CB500 | 104426 | 75000 | C2 | 356 | 2.75 | 5.69 | 9.50 | 6.50 | 4.0 | 4.8 | 31.500 | 30.375 | 16 | 0.500 |
| 26CB525 | 104427 | 92400 | C2 | 424 | 2.75 | 5.69 | 10.06 | 6.50 | 4.0 | 4.7 | 34.000 | 32.750 | 16 | 0.625 |
| 28CB525 | 104428 | 106000 | C2 | 448 | 2.75 | 5.69 | 10.13 | 6.50 | 4.0 | 4.8 | 36.000 | 34.750 | 16 | 0.625 |
| 30CB525 | 104429 | 121000 | C2 | 521 | 3.00 | 6.31 | 10.20 | 8.00 | 4.0 | 5.9 | 38.000 | 36.750 | 16 | 0.625 |
| 32CB525 | 104430 | 137000 | C2 | 570 | 3.00 | 6.06 | 10.06 | 8.00 | 4.0 | 6.0 | 40.000 | 38.750 | 18 | 0.625 |
| 36CB525 | 104431 | 172000 | C2 | 676 | 4.00 | 7.00 | 10.25 | 9.00 | 3.9 | 6.7 | 44.625 | 43.125 | 18 | 0.750 |
| 40CB525 | 104432 | 211000 | 3/4 RH | 777 | 4.00 | 7.00 | 10.50 | 9.00 | 4.0 | 6.8 | 48.625 | 47.125 | 20 | 0.750 |
| 45CB525 | 104433 | 260000 | 3/4 RH | 1014 | 4.38 | 9.88 | 10.69 | 10.00 | 3.9 | 7.2 | 53.625 | 52.125 | 24 | 0.750 |
| Size | Part Number ① | M. Torque Rating ② | Rotorseal Size | Weight Mass | Hub Bore | | D | D7 | D37 | D38 | G ④ | H2 | No. | Dia. |
| | | | | | min | max | | | | | | | L (Bolt) | |
| | | | | | min | max | | | | | | | No. | Dia. |
| 12CB350 | 104420 | 1500 | B3 | 38 | 38 | 84 | 197 | 83 | 69 | 56 | 447,7 | 428,6 | 14 | 10 |
| 14CB400 | 104421 | 2230 | B3 | 58 | 51 | 108 | 213 | 127 | 74 | 84 | 498,5 | 479,4 | 16 | 10 |
| 16CB500 | 104422 | 3980 | C2 | 92 | 51 | 124 | 235 | 146 | 94 | 97 | 596,9 | 571,5 | 8 | 13 |
| 18CB500 | 104423 | 4970 | C2 | 111 | 57 | 127 | 237 | 146 | 102 | 102 | 647,7 | 619,1 | 12 | 13 |
| 20CB500 | 104424 | 6060 | C2 | 123 | 64 | 127 | 238 | 146 | 99 | 104 | 698,5 | 669,9 | 12 | 13 |
| 22CB500 | 104425 | 7040 | C2 | 146 | 70 | 144 | 240 | 165 | 99 | 117 | 749,3 | 720,7 | 12 | 13 |
| 24CB500 | 104426 | 8480 | C2 | 161 | 70 | 144 | 241 | 165 | 102 | 122 | 800,1 | 771,5 | 16 | 13 |
| 26CB525 | 104427 | 10400 | C2 | 192 | 70 | 144 | 256 | 165 | 102 | 119 | 863,6 | 831,9 | 16 | 16 |
| 28CB525 | 104428 | 12000 | C2 | 203 | 70 | 144 | 257 | 165 | 102 | 122 | 914,4 | 882,7 | 16 | 16 |
| 30CB525 | 104429 | 13700 | C2 | 236 | 76 | 160 | 259 | 203 | 102 | 150 | 965,2 | 933,5 | 16 | 16 |
| 32CB525 | 104430 | 15500 | C2 | 258 | 76 | 154 | 256 | 203 | 102 | 152 | 1016,0 | 984,3 | 18 | 16 |
| 36CB525 | 104431 | 19400 | C2 | 306 | 102 | 178 | 260 | 229 | 99 | 170 | 1133,5 | 1095,4 | 18 | 19 |
| 40CB525 | 104432 | 23800 | 3/4 RH | 352 | 102 | 178 | 267 | 229 | 102 | 173 | 1235,1 | 1197,0 | 20 | 19 |
| 45CB525 | 104433 | 29400 | 3/4 RH | 459 | 111 | 251 | 271 | 254 | 99 | 183 | 1362,1 | 1324,0 | 24 | 19 |
| SI | Nm @ 5,2 bar | | kg Ⓢ | Dimensions in millimeters | | | | | | | | | | |

Form CB-429

Gap Mounted Arrangement – Technical Data
Sizes 12 to 45

| Size | Part Numbers | | | | |
|---------|------------------|-----------------|--------|--------|--------|
| | Clutch ③ Element | Brake ④ Element | Spider | Drum | Hub |
| 12CB350 | 142098JG | 142098JA | 408374 | 411860 | 406902 |
| 14CB400 | 142087JG | 142087JA | 408376 | 411861 | 406904 |
| 16CB500 | 142211KP | 142211KY | 408276 | 411862 | 406906 |
| 18CB500 | 142264KP | 142264KY | 408277 | 411863 | 406908 |
| 20CB500 | 142265KP | 142265KY | 408278 | 411864 | 406910 |
| 22CB500 | 142266KP | 142266KY | 408279 | 411865 | 406912 |
| 24CB500 | 142267KP | 142267KY | 408280 | 411866 | 406914 |

| Size | Part Numbers | | | | |
|---------|------------------|-----------------|--------|--------|--------|
| | Clutch ③ Element | Brake ④ Element | Spider | Drum | Hub |
| 26CB525 | 142268KP | 142268KY | 408281 | 411867 | 406916 |
| 26CB525 | 142269KP | 142269KY | 408282 | 411868 | 406918 |
| 30CB525 | 142270KP | 142270KY | 407096 | 411869 | 406920 |
| 32CB525 | 142271KP | 142271KY | 407097 | 411870 | 406922 |
| 36CB525 | 142272KP | 142272KY | 407098 | 411871 | 406924 |
| 40CB525 | 142273KP | 142273KY | 407099 | 411872 | 406926 |
| 45CB525 | 142443KP | 142443KY | 502369 | 411873 | 406928 |

| English ⑩ | lb | lb ft² | lb | lb ft² | lb | lb ft² | lb | lb ft² |
|-----------|-----|--------|------|--------|-----|--------|-----|--------|
| 12CB350 | 30 | 12 | 46 | 8.1 | 61 | 13 | 22 | 0.8 |
| 14CB400 | 35 | 21 | 50 | 11.2 | 83 | 24 | 54 | 3.2 |
| 16CB500 | 74 | 52 | 146 | 53 | 109 | 43 | 74 | 6.6 |
| 18CB500 | 81 | 70 | 152 | 63 | 126 | 63 | 83 | 9 |
| 20CB500 | 88 | 90 | 183 | 91 | 139 | 87 | 97 | 16 |
| 22CB500 | 95 | 114 | 227 | 123 | 152 | 117 | 133 | 25 |
| 24CB500 | 102 | 142 | 257 | 150 | 173 | 156 | 142 | 33 |
| 26CB525 | 133 | 210 | 298 | 220 | 198 | 211 | 164 | 43 |
| 28CB525 | 140 | 252 | 337 | 270 | 216 | 268 | 172 | 55 |
| 30CB525 | 148 | 303 | 341 | 390 | 237 | 337 | 213 | 69 |
| 32CB525 | 157 | 359 | 392 | 453 | 254 | 413 | 234 | 97 |
| 36CB525 | 178 | 510 | 505 | 710 | 287 | 597 | 319 | 157 |
| 40CB525 | 201 | 730 | 464 | 774 | 327 | 840 | 344 | 214 |
| 45CB525 | 262 | 1115 | 1294 | 1887 | 369 | 1212 | 491 | 379 |

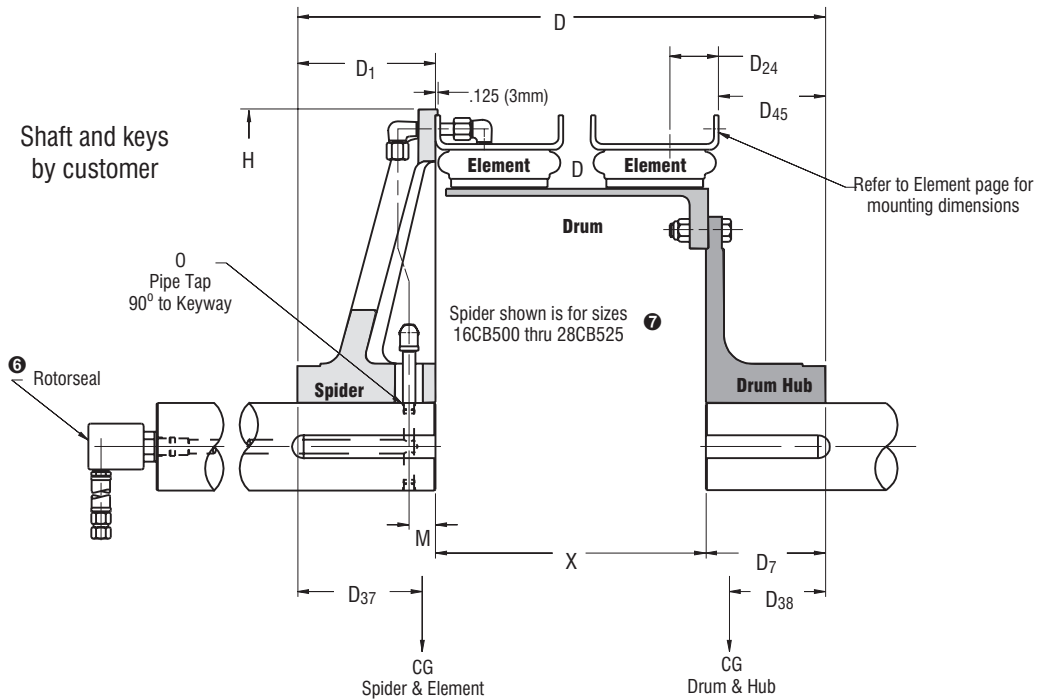
| Size | Weight Wk² | | Weight Wk² | | Weight Wk² | | Weight Wk² | |
|---------|----------------|-------|------------|-------|------------|-------|------------|-------|
| | Element (each) | | Spider | | Drum | | Hub | |
| | Mass | J | Mass | J | Mass | J | Mass | J |
| 12CB350 | 14 | 0,50 | 21 | 0,34 | 28 | 0,55 | 10 | 0,03 |
| 14CB400 | 16 | 0,88 | 23 | 0,47 | 38 | 1,01 | 25 | 0,13 |
| 16CB500 | 34 | 2,18 | 66 | 2,23 | 49 | 1,81 | 34 | 0,28 |
| 18CB500 | 37 | 2,94 | 69 | 2,65 | 57 | 2,65 | 38 | 0,38 |
| 20CB500 | 40 | 3,78 | 83 | 3,82 | 63 | 3,65 | 44 | 0,67 |
| 22CB500 | 43 | 4,79 | 103 | 5,17 | 69 | 4,91 | 60 | 1,05 |
| 24CB500 | 46 | 5,96 | 117 | 6,30 | 79 | 6,55 | 64 | 1,39 |
| 26CB525 | 60 | 8,82 | 135 | 9,24 | 90 | 8,86 | 74 | 1,81 |
| 28CB525 | 64 | 10,58 | 153 | 11,34 | 98 | 11,26 | 78 | 2,31 |
| 30CB525 | 67 | 12,73 | 155 | 16,38 | 108 | 14,15 | 97 | 2,90 |
| 32CB525 | 71 | 15,08 | 178 | 19,03 | 115 | 17,35 | 106 | 4,07 |
| 36CB525 | 81 | 21,42 | 229 | 29,82 | 130 | 25,07 | 145 | 6,59 |
| 40CB525 | 91 | 30,66 | 211 | 32,51 | 148 | 35,28 | 156 | 8,99 |
| 45CB525 | 119 | 46,83 | 587 | 79,25 | 168 | 50,90 | 223 | 15,92 |
| SI ⑩ | kg | kg m² | kg | kg m² | kg | kg m² | kg | kg m² |

Notes:

- Dynamic torque shown, static torque approximately 25% greater. Torque in each application is dependent upon air pressure and speed.
- Based upon minimum bores. Rotorseal and hose not included.
- $M (in) = 0.268 (H/2 - \text{radius of bore}) + 0.34$
 $M (mm) = 0,268 (H/2 - \text{radius of bore}) + 8,7$
- American National Pipe Thread
- Pipe tap not required. Thru hole diameter 0.44 in (11 mm).
- Refer to Rotorseal Section for mounting and dimension information.
- Refer to CB Spider Piping and Configuration catalog page for other sizes.
- Element sizes 12 and 14 have two inlets. All other sizes have four air inlets.
- Part number shown for element with one air inlet.
- Based upon minimum bores.

Form CB-429

Gap Mounted Arrangement – Dimensional Data
Sizes 12 to 45

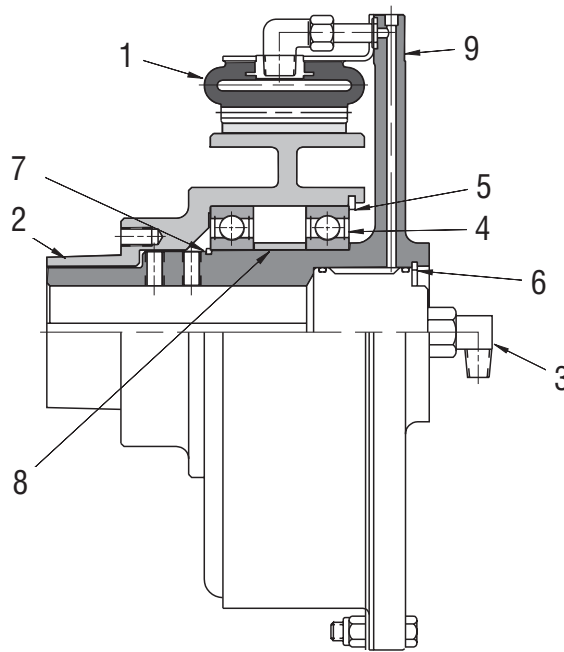


| English | lb in @ 75 psi | lb ② | Dimensions in inches | | | | | | | | | | | | | |
|---------|-------------------|----------------|----------------------|--------------------|------|-------|----------------|----------------|-----------------|-----------------|-----------------|-----------------|----------------|------|--------|-------|
| Size | M, Torque Rating | Rotorseal Size | Weight Mass | min Bore Range max | | D | D ₁ | D ₇ | D ₂₄ | D ₃₇ | D ₃₈ | D ₄₅ | H ₂ | M | O | X |
| 12CB350 | 13300 | B2 | 187 | 1.50 | 2.63 | 17.75 | 4.00 | 3.25 | 2.00 | 3.20 | 5.80 | 2.812 | 18.00 | ③ | ⑤ | 10.50 |
| 14CB400 | 19700 | B2 | 262 | 2.00 | 3.56 | 20.84 | 4.34 | 5.00 | 2.00 | 3.40 | 6.70 | 4.562 | 20.00 | ③ | ⑤ | 11.50 |
| 16CB500 | 35200 | C2 | 480 | 2.00 | 4.13 | 25.25 | 5.50 | 5.75 | 2.50 | 5.20 | 8.00 | 5.187 | 24.00 | 1.44 | 3/8-18 | 14.00 |
| 18CB500 | 44000 | C2 | 527 | 2.25 | 4.38 | 25.25 | 5.50 | 5.75 | 2.50 | 5.30 | 8.00 | 5.187 | 26.00 | 1.44 | 3/8-18 | 14.00 |
| 20CB500 | 53600 | C2 | 599 | 2.50 | 3.81 | 25.25 | 5.50 | 5.75 | 2.50 | 5.30 | 8.10 | 5.187 | 28.00 | 1.44 | 3/8-18 | 14.00 |
| 22CB500 | 62300 | C2 | 706 | 2.75 | 4.50 | 26.50 | 6.00 | 6.50 | 2.50 | 5.40 | 8.30 | 5.937 | 30.00 | 1.44 | 3/8-18 | 14.00 |
| 24CB500 | 75000 | C2 | 781 | 2.75 | 4.50 | 27.00 | 6.50 | 6.50 | 2.50 | 5.60 | 8.30 | 5.937 | 32.00 | 1.44 | 3/8-18 | 14.00 |
| 26CB525 | 92400 | C2 | 932 | 2.75 | 4.50 | 27.63 | 6.50 | 6.50 | 2.50 | 5.90 | 8.40 | 5.906 | 34.63 | 1.44 | 3/8-18 | 14.63 |
| 28CB525 | 106000 | C2 | 1011 | 2.75 | 3.81 | 28.75 | 7.50 | 6.50 | 2.50 | 6.60 | 8.70 | 5.906 | 36.63 | 1.44 | 3/8-18 | 14.75 |
| 30CB525 | 121000 | C2 | 1093 | 3.00 | 4.50 | 30.25 | 7.50 | 8.00 | 2.50 | 6.80 | 9.50 | 7.406 | 38.63 | 1.44 | 3/8-18 | 14.75 |
| 32CB525 | 137000 | C2 | 1201 | 3.00 | 4.00 | 30.25 | 7.50 | 8.00 | 2.50 | 6.60 | 9.70 | 7.406 | 40.63 | 1.44 | 3/8-18 | 14.75 |
| 36CB525 | 172000 | C2 | 1477 | 4.00 | 5.75 | 32.25 | 8.50 | 9.00 | 2.75 | 7.10 | 9.90 | 8.406 | 45.25 | 1.44 | 1/2-14 | 14.75 |
| 40CB525 | 211000 | 3/4 RH | 1548 | 4.00 | 4.88 | 32.25 | 8.50 | 9.00 | 2.75 | 7.60 | 10.10 | 8.406 | 49.25 | 1.44 | 1/2-14 | 14.75 |
| 45CB525 | 260000 | 3/4 RH | 2691 | 4.38 | 8.00 | 35.75 | 11.00 | 10.00 | 2.75 | 8.80 | 10.10 | 9.406 | 54.25 | 6.00 | 1/2-14 | 14.75 |

| SI | Nm @ 5,2 bar | kg ② | Dimensions in millimeters | | | | | | | | | | | | | |
|---------|-----------------|--------|---------------------------|-----|-----|-----|-----|-----|----|-----|-----|-------|------|-----|--------|-----|
| 12CB350 | 1500 | B2 | 85 | 38 | 67 | 451 | 102 | 83 | 51 | 81 | 147 | 71,4 | 457 | ③ | ⑤ | 267 |
| 14CB400 | 2230 | B2 | 119 | 51 | 90 | 529 | 110 | 127 | 51 | 86 | 170 | 115,9 | 508 | ③ | ⑤ | 292 |
| 16CB500 | 3980 | C2 | 217 | 51 | 105 | 641 | 140 | 146 | 64 | 132 | 203 | 131,7 | 610 | 37 | 3/8-18 | 356 |
| 18CB500 | 4970 | C2 | 239 | 57 | 111 | 641 | 140 | 146 | 64 | 135 | 203 | 131,7 | 660 | 37 | 3/8-18 | 356 |
| 20CB500 | 6060 | C2 | 271 | 64 | 97 | 641 | 140 | 146 | 64 | 135 | 206 | 131,7 | 711 | 37 | 3/8-18 | 356 |
| 22CB500 | 7040 | C2 | 320 | 70 | 114 | 673 | 152 | 165 | 64 | 137 | 211 | 150,8 | 762 | 37 | 3/8-18 | 356 |
| 24CB500 | 8480 | C2 | 354 | 70 | 114 | 686 | 165 | 165 | 64 | 142 | 211 | 150,8 | 813 | 37 | 3/8-18 | 356 |
| 26CB525 | 10400 | C2 | 422 | 70 | 114 | 702 | 165 | 165 | 64 | 150 | 213 | 150,0 | 880 | 37 | 3/8-18 | 372 |
| 28CB525 | 12000 | C2 | 458 | 70 | 97 | 730 | 191 | 165 | 64 | 168 | 221 | 150,0 | 930 | 37 | 3/8-18 | 375 |
| 30CB525 | 13700 | C2 | 495 | 76 | 114 | 768 | 191 | 203 | 64 | 173 | 241 | 188,1 | 981 | 37 | 3/8-18 | 375 |
| 32CB525 | 15500 | C2 | 544 | 76 | 102 | 768 | 191 | 203 | 64 | 168 | 246 | 188,1 | 1032 | 37 | 3/8-18 | 375 |
| 36CB525 | 19400 | C2 | 669 | 102 | 146 | 819 | 216 | 229 | 70 | 180 | 251 | 213,5 | 1149 | 37 | 1/2-14 | 375 |
| 40CB525 | 23800 | 3/4 RH | 701 | 102 | 124 | 819 | 216 | 229 | 70 | 193 | 257 | 213,5 | 1251 | 37 | 1/2-14 | 375 |
| 45CB525 | 29400 | 3/4 RH | 1219 | 111 | 203 | 908 | 279 | 254 | 70 | 224 | 257 | 238,9 | 1378 | 152 | 1/2-14 | 375 |

Form PCB-201

Sheave Clutch Arrangement – Component Part Numbers
Sizes 4 to 10



| Part Numbers for Complete Applications and Spiders - Item 9 | | | | | | | | | | | |
|---|-------------|-----------|---------|-------------|-----------|---------|-------------|-----------|---------|-------------|-----------|
| 4CB200 | | | 6CB200 | | | 8CB250 | | | 10CB300 | | |
| Bore in | Application | Spider | Bore in | Application | Spider | Bore in | Application | Spider | Bore in | Application | Spider |
| 0.875 | 145987F | 407884-02 | 1.125 | 145866Q | 506516-01 | 1.625 | 145873W | 506513-01 | 1.875 | 145874AC | 506514-01 |
| 1.000 | 145987H | 407884-04 | 1.375 | 145866R | 506516-02 | 1.875 | 145873X | 506513-02 | 2.125 | 145874AD | 506514-02 |
| 1.125 | 145987G | 407884-03 | 1.625 | 145866S | 506516-03 | | | | 2.375 | 145874AE | 506514-03 |

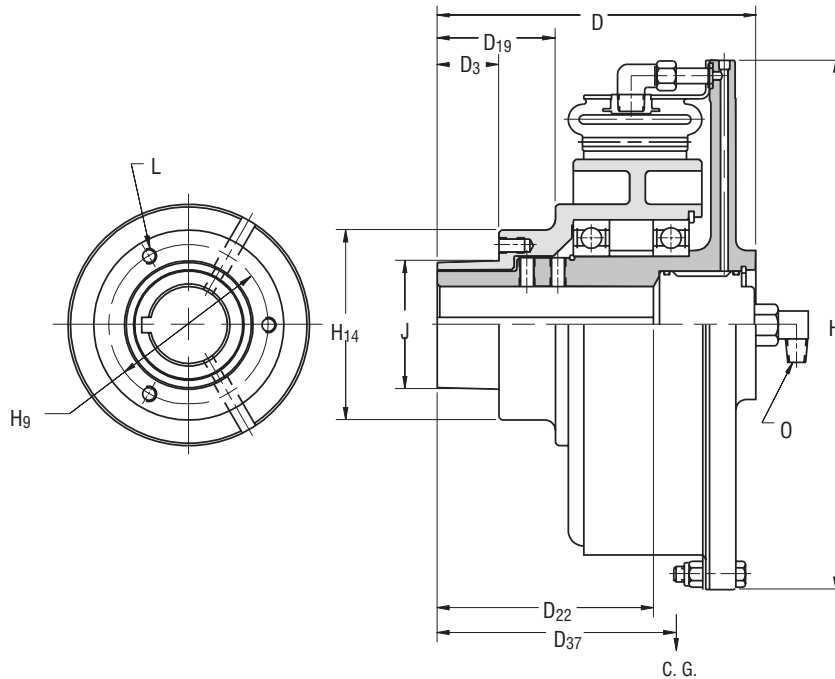
| Size | 1 Element | 2 Drum | 3 Rotorseal | 4 Bearing | 5 Retainer | 6 Retainer | 7 Retainer | 8 Spacer |
|---------|-----------|--------|-------------|-----------|------------|------------|------------|----------|
| 4CB200 | 142840JB | 410175 | 145631L | 159x78 | 138x16 | 138x19 | 139x6 | 202737 |
| 6CB200 | 142095JG | 407926 | 145106BM | 159x40 | 138x15 | 138x56 | 139x16 | 202756 |
| 8CB250 | 142096JG | 505112 | 145106BL | 159x154 | 138x58 | 138x27 | 136x43 | 202787 |
| 10CB300 | 142197JG | 505196 | 145107BA | ⑥ | 138x5 | | ⑦ | ⑧ |

Notes:

- ① Available only for bores shown.
Tolerance for bores:
thru 2.000 +0.0016/-0.000 in
2.125 and 2.375 +0.0018/-0.000 in
Square key for bores thru 2.125 in.
Rectangular key for 2.375 in. bore.
- ② Tolerance +0.000/-0.002 in
(+0,00/-0,05 mm)
- ③ American National Standard for Unified Screw Threads. Bolts and lockwashers furnished with clutch.
- ④ American National Pipe Thread
- ⑤ Dynamic torque shown, static torque approximately 25% greater. Torque in each application is dependent upon air pressure and speed.
- ⑥ Two different size bearings used:
Bearing adjacent to rotorseal - 159x157
Bearing adjacent to taper - 159x154
- ⑦ For bearing adjacent to rotorseal - 139x2
For bearing adjacent to taper - 139x45
- ⑧ Not required. Bearings held by retainers.

Form PCB-201

Sheave Clutch Arrangement – Dimensional and Technical Data
Sizes 4 to 10



| English | lb in @ 75 psi | rpm | lb | lb ft ² | |
|----------------|-----------------------------|------------------|----------------|----------------------------|-----------|
| 4CB200 | 1000 | 1800 | 14 | 0.4 | 0.1 |
| 6CB200 | 2040 | 1800 | 33 | 1.7 | 0.4 |
| 8CB250 | 4290 | 1800 | 55 | 3.9 | 1.2 |
| 10CB300 | 8150 | 1800 | 96 | 10 | 3.2 |
| Size | Ⓢ M, Torque Rating | Maximum Speed | Weight Mass | Wk ² | |
| | | | | Element and Spider J | Drum J |
| 4CB200 | 113 | 1800 | 6,3 | 0,02 | 0,0042 |
| 6CB200 | 231 | 1800 | 15 | 0,07 | 0,02 |
| 8CB250 | 485 | 1800 | 25 | 0,16 | 0,05 |
| 10CB300 | 921 | 1800 | 43 | 0,42 | 0,13 |
| SI | Nm @ 5, 2 bar | rpm | kg | kg.m ² | |

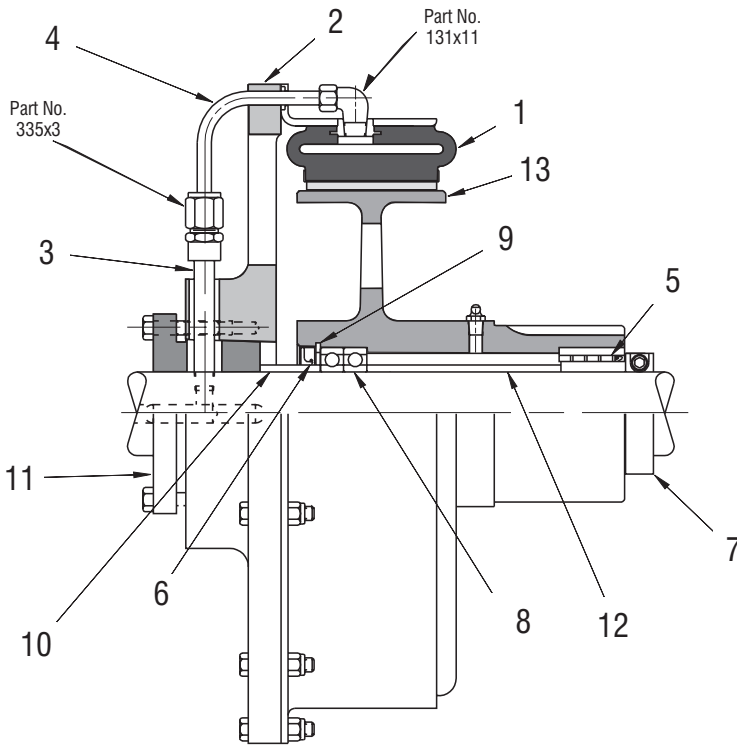
| English | Dimensions in inches | | | | | | | | | | | | | |
|----------------|-------------------------|---------------------------|-----------------|-----------------|-----------------|-----------------|-------|----------------|-----------------|----------------|----------------|---------|--------|---|
| 4CB200 | 0.875-1.000-1.125 | 5.19 | 1.56 | 3.00 | 0.94 | 3.06 | 7.31 | 2.683 | 3.13 | 2.188 | SD | 1/4-20 | 1/8-27 | |
| 6CB200 | 1.125-1.375-1.625 | 6.69 | 2.75 | 4.50 | 1.38 | 4.31 | 10.75 | 3.312 | 3.88 | 2.813 | SK | 5/16-18 | 1/4-18 | |
| 8CB250 | 1.625-1.875 | 7.75 | 2.88 | 5.41 | 1.50 | 4.97 | 12.88 | 3.875 | 4.63 | 3.126 | SF | 3/8-16 | 1/4-18 | |
| 10CB300 | 1.875-2.125-2.375 | 9.75 | 4.50 | 7.13 | 1.88 | 6.44 | 15.38 | 5.000 | 6.00 | 3.836 | E | 1/2-13 | 1/2-14 | |
| Size | Ⓛ Bores Available | D | D ₁₉ | D ₂₂ | D ₃₀ | D ₃₇ | H | H ₉ | H ₁₄ | J Ⓜ | | Ⓢ | Ⓛ | Ⓞ |
| | | | | | | | | | | Dia. Lg End | Fits QD Hub | | | |
| 4CB200 | 0.875-1.000-1.125 | 132 | 40 | 76 | 24 | 78 | 186 | 68,1 | 80 | 55,6 | SD | 1/4-20 | 1/8-27 | |
| 6CB200 | 1.125-1.375-1.625 | 170 | 70 | 114 | 35 | 109 | 273 | 84,1 | 99 | 71,5 | SK | 5/16-18 | 1/4-18 | |
| 8CB250 | 1.625-1.875 | 197 | 73 | 137 | 38 | 126 | 327 | 98,4 | 118 | 79,4 | SF | 3/8-16 | 1/4-18 | |
| 10CB300 | 1.875-2.125-2.375 | 248 | 114 | 181 | 48 | 164 | 391 | 127,0 | 152 | 97,4 | E | 1/2-13 | 1/2-14 | |
| SI | inches | Dimensions in millimeters | | | | | | | | | | | | |

Airflex® CB Clutch Application

ARTEN Freios & Embreagens **EATON**
Fone 11 5594-8333

Form PCB-203

Bearing Mounted Arrangement – Component Part Numbers
Sizes 6 to 14



| Shaft Dia (in) | 5 Needle Bearing | 6 Oil Seal | 7 Safety Collar | 8 Ball Bearing | 9 Retainer Ring |
|----------------|------------------|------------|-----------------|----------------|-----------------|
| 1.250 | 160x43 | 113x95 | 149x198 | 159x135 | 138x29 |
| 1.375 | 160x44 | 113x267 | 149x200 | 159x136 | 138x30 |
| 1.500 | 160x45 | 113x268 | 149x202 | 159x134 | 138x27 |
| 1.625 | 160x46 | 113x269 | 149x204 | 159x137 | 138x31 |
| 1.750 | 160x47 | 113x270 | 149x206 | 159x138 | 138x32 |
| 1.875 | 160x48 | 113x271 | 149x208 | 159x139 | 138x16 |
| 2.000 | 160x49 | 113x259 | 149x210 | 159x132 | 138x26 |
| 2.250 | 160x51 | 113x273 | 149x213 | 159x141 | 138x34 |
| 2.375 | 160x52 | 113x85 | 149x214 | 159x142 | 138x22 |
| 2.500 | 160x53 | 113x276 | 149x216 | 159x143 | 138x21 |

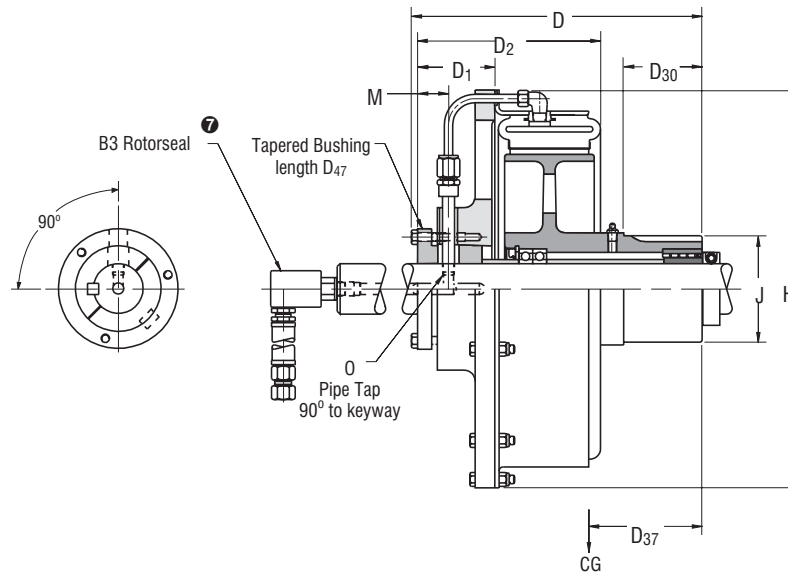
| Size | 1 Element | 2 Spider | 3 Pipe Nipple | 4 Air Tube |
|---------|-----------|----------|---------------|------------|
| 6CB200 | 142095JC | 405307 | ⊕ | 201641 |
| 8CB250 | 142096JC | 405308 | 70x135 | 201640 |
| 10CB300 | 142197JC | 405309 | 70x121 | 201598 |
| 12CB350 | 142098JC | 405310 | 70x212 | 201654 |
| 14CB400 | 142087JC | 405311 | 70x121 | 201605 |

| Shaft Diameter in | 6CB200 & 8CB250 | | 6CB200 | | 8CB250 | |
|-------------------|-----------------|------------|-----------|-----------|-----------|-----------|
| | 10 Spacer | 11 Bushing | 12 Spacer | 13 Drum | 12 Spacer | 13 Drum |
| 1.250 | 305137-01 | 304040-01 | 305136-22 | 406566-01 | 305136-29 | 406571-01 |
| 1.375 | 305137-02 | 304040-03 | 305136-23 | 406566-02 | 305136-30 | 406571-02 |
| 1.500 | 305137-03 | 304040-05 | 305136-24 | 406566-03 | 305136-31 | 406571-03 |
| 1.625 | 305137-04 | 304040-07 | 305136-25 | 406566-04 | 305136-32 | 406571-04 |
| 1.750 | 305137-05 | 304040-09 | 305136-26 | 406566-05 | 305136-33 | 406571-05 |
| 1.875 | 305137-06 | 304040-11 | 305136-27 | 406566-06 | 305136-34 | 406571-06 |
| 2.000 | 305137-07 | 304040-13 | 305136-28 | 406566-07 | 305136-35 | 406571-07 |

| Shaft Diameter in | 10CB300 thru 14CB400 | | | | 10CB300 | | 12CB350 | | 14CB400 | |
|-------------------|----------------------|------------|-----------|-----------|-----------|-----------|-----------|-----------|-----------|---------|
| | 10 Spacer | 11 Bushing | 12 Spacer | 13 Drum | 12 Spacer | 13 Drum | 12 Spacer | 13 Drum | 12 Spacer | 13 Drum |
| 1.750 | 305137-08 | 304042-01 | 305136-08 | 405141-01 | 305136-01 | 405142-01 | 305136-15 | 405143-01 | | |
| 1.875 | 305137-09 | 304042-03 | 305136-09 | 405141-02 | 305136-02 | 405142-02 | 305136-16 | 405143-02 | | |
| 2.000 | 305137-10 | 304042-05 | 305136-10 | 405141-03 | 305136-03 | 405142-03 | 305136-17 | 405143-03 | | |
| 2.250 | 305137-12 | 304042-09 | 305136-12 | 405141-05 | 305136-05 | 405142-05 | 305136-19 | 405143-05 | | |
| 2.375 | 305137-13 | 304042-11 | 305136-13 | 405141-06 | 305136-06 | 405142-06 | 305136-20 | 405143-06 | | |
| 2.500 | 305137-14 | 304042-13 | 305136-14 | 405141-07 | 305136-07 | 405142-07 | 305136-21 | 405143-07 | | |

Form PCB-203

Bearing Mounted Arrangement – Dimensional and Technical Data
Sizes 6 to 14



| English | lb in @ 75 psi | Dimensions in inches | | | | | | | | | | | |
|---------|----------------|----------------------|-----------------------------------|-------|----------------|----------------|-----------------|-----------------|-----------------|-----------------|-------|-------|------|
| 6CB200 | 105782 | 2040 | 1.250 thru 2.000 | 10.75 | 2.69 | 6.69 | 3.25 | 0.54 | 6.08 | 2.50 | 10.75 | 4.252 | 1.38 |
| 8CB250 | 105783 | 4290 | 1.250 thru 2.000 | 11.25 | 2.69 | 7.19 | 3.25 | 0.54 | 6.48 | 2.50 | 12.88 | 4.252 | 1.38 |
| 10CB300 | 105784 | 8150 | 1.750 thru 2.500 | 13.06 | 3.44 | 8.56 | 3.50 | 0.73 | 7.76 | 2.88 | 15.38 | 4.752 | 1.38 |
| 12CB350 | 105785 | 13300 | 1.750 thru 2.500 | 13.69 | 3.44 | 9.19 | 3.50 | 0.73 | 8.28 | 2.88 | 17.63 | 4.752 | 1.38 |
| 14CB400 | 105786 | 19700 | 1.750 thru 2.500 | 14.19 | 3.44 | 9.69 | 3.50 | 0.73 | 8.69 | 2.88 | 19.63 | 4.752 | 1.38 |
| Size | Part Number | M. Torque Rating | Available for Shaft Diameters of: | D | D ₁ | D ₂ | D ₃₀ | D ₃₃ | D ₃₇ | D ₄₇ | H | J | M |
| 6CB200 | 105782 | 231 | 1.250 thru 2.000 | 273 | 68 | 170 | 83 | 14 | 154 | 64 | 273 | 108,0 | 35 |
| 8CB250 | 105783 | 485 | 1.250 thru 2.000 | 286 | 68 | 183 | 83 | 14 | 165 | 64 | 327 | 108,0 | 35 |
| 10CB300 | 105784 | 921 | 1.750 thru 2.500 | 332 | 87 | 217 | 89 | 19 | 197 | 73 | 391 | 120,7 | 35 |
| 12CB350 | 105785 | 1500 | 1.750 thru 2.500 | 348 | 87 | 233 | 89 | 19 | 210 | 73 | 448 | 120,7 | 35 |
| 14CB400 | 105786 | 2230 | 1.750 thru 2.500 | 360 | 87 | 246 | 89 | 19 | 221 | 73 | 499 | 120,7 | 35 |
| SI | | Nm @ 5, 2 bar | Dimensions in millimeters | | | | | | | | | | |

| English | lb | lb-ft ² | Wk ² |
|---------|-------------|--------------------|-----------------|
| 6CB200 | 42 | 2.0 | 0.6 |
| 8CB250 | 51 | 4.1 | 1.0 |
| 10CB300 | 88 | 12 | 2.6 |
| 12CB350 | 120 | 22 | 4.9 |
| 14CB400 | 137 | 32 | 9.1 |
| Size | Weight Mass | Element & Spider | Drum |
| 6CB200 | 19 | 0,08 | 0,03 |
| 8CB250 | 23 | 0,17 | 0,04 |
| 10CB300 | 40 | 0,50 | 0,11 |
| 12CB350 | 54 | 0,92 | 0,21 |
| 14CB400 | 62 | 1,34 | 0,38 |
| SI | kg | kg-m ² | |

| Shaft Dia. in | rpm max |
|---------------|---------|
| 1.250 | 1800 |
| 1.375 | 1700 |
| 1.500 | 1700 |
| 1.625 | 1500 |
| 1.750 | 1350 |

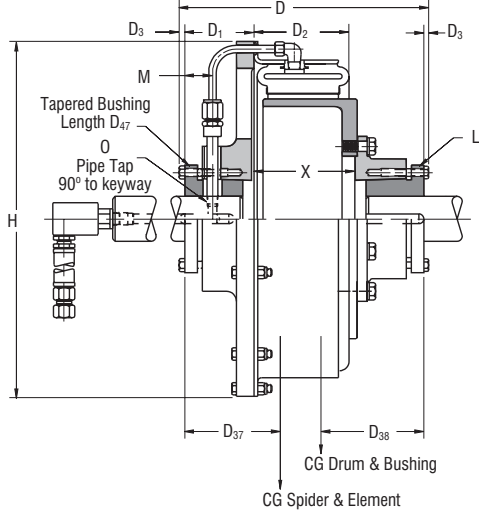
| Shaft Dia. in | rpm max |
|---------------|---------|
| 1.875 | 1350 |
| 2.000 | 1200 |
| 2.250 | 1100 |
| 2.375 | 1000 |
| 2.500 | 1000 |

Notes:

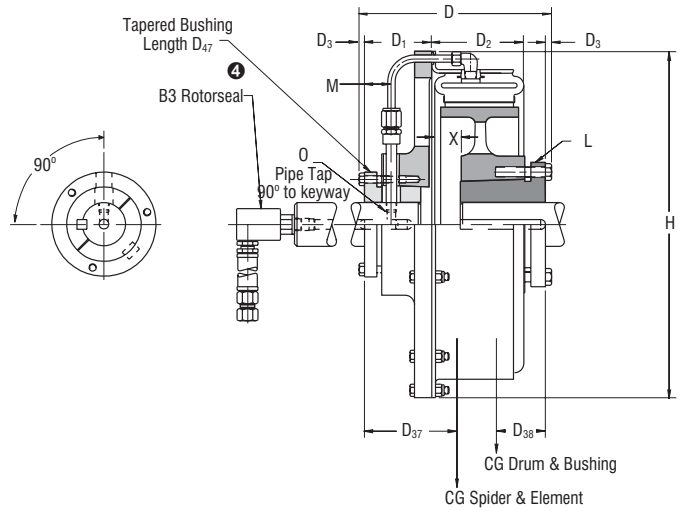
- Refers to basic part number only and does not include the rotor seal and hose. When ordering, specify shaft diameter.
- Dynamic torque shown, static torque approximately 25% greater. Torque in each application is dependent upon air pressure and speed.
- Available only for inch series shafting in 0.125 increments. Use standard square keys.
- Tolerance +/-0.0005 in (+/-0,01 mm)
- Based upon minimum bores.
- Based on needle bearing limitation.
- Refer to Rotorseal Section for mounting and dimension information.
- Part numbers for shaft diameters: 1.250 thru 1.500 in - 70x135 All other diameters - 70x45

Forms 204,205,206, & 208 Tapered Bushing Arrangements – Dimensional Data
Sizes 4 to 14

PCB - 205 Arrangement



PCB - 206 Arrangement

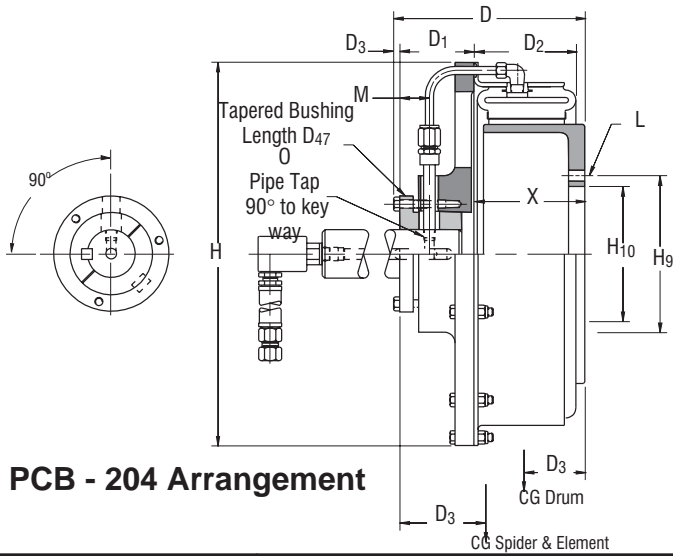


| English | Dimensions in inches | | | | | | | | | | | |
|----------------|----------------------|------------------|---------------------------|-------|-----------------|-----------------|------|----------|---------------------|-----------------|-----------------|------|
| 4CB200 | 0.875 thru 1.437 | 0.875 thru 1.437 | | | | | | 103474 | 4.89 | 2.0 | 1.2 | 0.56 |
| 6CB200 | 1.250 thru 2.000 | 1.250 thru 2.000 | 103433 | 9.13 | 2.0 | 2.2 | 3.56 | 103475 | 6.88 | 2.0 | 1.4 | 0.44 |
| 8CB250 | 1.250 thru 2.000 | 1.250 thru 2.000 | 103434 | 9.63 | 2.4 | 2.7 | 4.06 | 103476 | 6.88 | 2.7 | 1.7 | 1.31 |
| 10CB300 | 1.750 thru 2.500 | 1.750 thru 2.500 | 103435 | 11.81 | 3.2 | 3.2 | 5.50 | 103477 | 8.31 | 3.2 | 2.0 | 2.00 |
| | 1.750 thru 2.500 | 2.563 thru 3.125 | 103727 | 12.78 | 3.2 | 3.9 | 4.88 | 103737 | 9.28 | 3.2 | 2.5 | 1.38 |
| | 2.563 thru 3.125 | 2.563 thru 3.125 | 103445 | 13.75 | 3.2 | 3.9 | 4.25 | 103478 | 10.25 | 3.2 | 2.5 | 0.75 |
| | 2.563 thru 3.125 | 1.750 thru 2.500 | 103728 | 12.78 | 3.2 | 3.2 | 4.88 | 103738 | 9.28 | 3.2 | 2.0 | 1.38 |
| 12CB350 | 1.750 thru 2.500 | 1.750 thru 2.500 | 103446 | 12.44 | 3.3 | 3.4 | 6.13 | 103479 | 8.94 | 3.2 | 1.3 | 2.63 |
| | 1.750 thru 2.500 | 2.563 thru 3.125 | 103729 | 13.41 | 3.3 | 3.9 | 5.50 | 103739 | 9.91 | 3.2 | 2.5 | 2.00 |
| | 2.563 thru 3.125 | 2.563 thru 3.125 | 103447 | 14.38 | 3.7 | 3.9 | 4.88 | 103480 | 10.88 | 3.2 | 2.5 | 1.38 |
| | 2.563 thru 3.125 | 1.750 thru 2.500 | 103730 | 13.41 | 3.3 | 3.4 | 5.50 | 103740 | 9.91 | 3.2 | 1.3 | 2.00 |
| 14CB400 | 1.750 thru 2.500 | 1.750 thru 2.500 | 103448 | 12.94 | 3.7 | 3.3 | 6.63 | 103499 | 9.44 | 3.7 | 2.0 | 3.13 |
| | 1.750 thru 2.500 | 2.563 thru 3.125 | 103731 | 13.91 | 3.7 | 4.1 | 6.00 | 103741 | 10.41 | 3.7 | 3.0 | 2.50 |
| | 2.563 thru 3.125 | 2.563 thru 3.125 | 103449 | 14.88 | 3.7 | 4.1 | 5.88 | 103482 | 11.38 | 3.7 | 3.0 | 1.88 |
| | 2.563 thru 3.125 | 1.750 thru 2.500 | 103732 | 13.91 | 3.7 | 3.3 | 6.00 | 103742 | 10.41 | 3.7 | 2.0 | 2.50 |
| Size | Spider | Hub | Part No. | D | D ₃₇ | D ₃₈ | X | Part No. | PCB-206 Arrangement | | | |
| | Shaft Diameter ⑤ | | | | | | | | D | D ₃₇ | D ₃₈ | X |
| | Spider | Hub | Part No. | D | D ₃₇ | D ₃₈ | X | Part No. | D | D ₃₇ | D ₃₈ | X |
| 4CB200 | 0.875 thru 1.437 | 0.875 thru 1.437 | | | | | | 103474 | 124 | 51 | 30 | 14 |
| 6CB200 | 1.250 thru 2.000 | 1.250 thru 2.000 | 103433 | 232 | 51 | 56 | 90 | 103475 | 175 | 51 | 36 | 11 |
| 8CB250 | 1.250 thru 2.000 | 1.250 thru 2.000 | 103434 | 245 | 61 | 69 | 103 | 103476 | 175 | 61 | 43 | 33 |
| 10CB300 | 1.750 thru 2.500 | 1.750 thru 2.500 | 103435 | 300 | 81 | 81 | 140 | 103477 | 211 | 81 | 51 | 51 |
| | 1.750 thru 2.500 | 2.563 thru 3.125 | 103727 | 325 | 81 | 99 | 124 | 103737 | 236 | 81 | 64 | 35 |
| | 2.563 thru 3.125 | 2.563 thru 3.125 | 103445 | 349 | 81 | 99 | 108 | 103478 | 260 | 81 | 64 | 19 |
| | 2.563 thru 3.125 | 1.750 thru 2.500 | 103728 | 325 | 81 | 81 | 124 | 103738 | 236 | 81 | 51 | 35 |
| 12CB350 | 1.750 thru 2.500 | 1.750 thru 2.500 | 103446 | 316 | 84 | 86 | 156 | 103479 | 227 | 81 | 33 | 67 |
| | 1.750 thru 2.500 | 2.563 thru 3.125 | 103729 | 341 | 84 | 99 | 140 | 103739 | 252 | 81 | 64 | 51 |
| | 2.563 thru 3.125 | 2.563 thru 3.125 | 103447 | 365 | 94 | 99 | 124 | 103480 | 276 | 81 | 64 | 35 |
| | 2.563 thru 3.125 | 1.750 thru 2.500 | 103730 | 341 | 84 | 86 | 140 | 103740 | 252 | 94 | 33 | 51 |
| 14CB400 | 1.750 thru 2.500 | 1.750 thru 2.500 | 103448 | 329 | 94 | 84 | 168 | 103499 | 240 | 94 | 51 | 80 |
| | 1.750 thru 2.500 | 2.563 thru 3.125 | 103731 | 353 | 94 | 104 | 152 | 103741 | 264 | 94 | 76 | 64 |
| | 2.563 thru 3.125 | 2.563 thru 3.125 | 103449 | 378 | 94 | 104 | 149 | 103482 | 289 | 94 | 76 | 48 |
| | 2.563 thru 3.125 | 1.750 thru 2.500 | 103732 | 353 | 94 | 84 | 152 | 103742 | 264 | 94 | 51 | 64 |
| SI | inches | | Dimensions in millimeters | | | | | | | | | |

| Shaft Diameter | D ₁ | D ₃ | D ₄₇ | M |
|-------------------------|----------------------|----------------|-----------------|------|
| 0.875 thru 1.437 | 2.06 | 0.20 | 1.94 | 1.13 |
| 1.250 thru 2.000 | 2.69 | 0.28 | 2.50 | 1.38 |
| 1.750 thru 2.500 | 3.44 | 0.28 | 2.88 | 1.38 |
| 2.563 thru 3.125 | 4.31 | 0.38 | 4.38 | 2.25 |
| English | Dimensions in inches | | | |

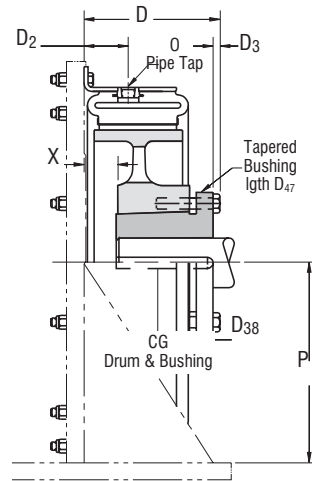
| Shaft Diameter ⑤ | D ₁ | D ₃ | D ₄₇ | M |
|-------------------------|---------------------------|----------------|-----------------|----|
| 0.875 thru 1.437 | 52 | 5 | 49 | 29 |
| 1.250 thru 2.000 | 68 | 7 | 64 | 35 |
| 1.750 thru 2.500 | 87 | 7 | 73 | 35 |
| 2.563 thru 3.125 | 109 | 10 | 111 | 57 |
| SI | Dimensions in millimeters | | | |

Forms 204, 205, 206, Tapered Bushing Arrangements – Dimensional Data
& 208 Sizes 4 to 14



PCB - 204 Arrangement

PCB - 208 Arrangement



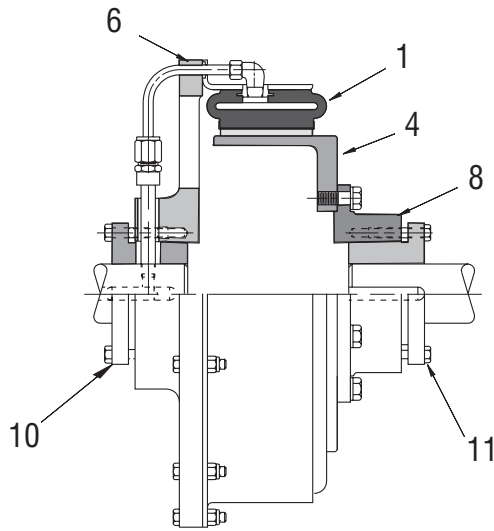
| English | lbin @ 75 psi | Dimensions in inches | | | | | | | | | |
|---------|---------------|----------------------|-----------------|-------|----------------|-----------------|-------------|-------|--------|----------------|--------|
| 4CB200 | 1000 | 2.63 | 1.38 | 7.25 | | | | | 1/8-27 | 1/8-27 | 3.88 |
| 6CB200 | 2040 | 2.94 | 1.56 | 10.75 | 4.250 | 3.500 | 6 | 0.406 | 1/4-18 | 3/8-18 | 5.63 |
| 8CB250 | 4290 | 3.44 | 1.91 | 12.47 | 5.250 | 4.250 | 8 | 0.406 | 1/4-18 | 3/8-18 | 6.69 |
| 10CB300 | 8150 | 4.13 | 2.00 | 15.37 | 7.250 | 6.250 | 6 | 0.531 | 1/4-18 | 3/8-18 | 7.94 |
| 12CB350 | 13300 | 4.72 | 2.00 | 17.62 | 7.250 | 6.250 | 6 | 0.531 | 1/4-18 | 3/8-18 | 9.06 |
| 14CB400 | 19700 | 5.22 | 2.00 | 19.62 | 9.250 | 8.250 | 6 | 0.531 | 1/4-18 | 3/8-18 | 10.00 |
| Size | Torque Rating | D ₂ | D ₂₄ | H | H ₉ | H ₁₀ | number size | | O | O ₄ | P min. |
| | | | | | | | L (Bolt) | | | | |
| | | | | | | | number | size | | | |
| 4CB200 | 113 | 67 | 35 | 184 | | | | | 1/8-27 | 1/8-27 | 99 |
| 6CB200 | 231 | 75 | 40 | 273 | 108,0 | 88,9 | 6 | 10,3 | 1/4-18 | 3/8-18 | 143 |
| 8CB250 | 485 | 87 | 49 | 317 | 133,4 | 108,0 | 8 | 10,3 | 1/4-18 | 3/8-18 | 170 |
| 10CB300 | 921 | 105 | 51 | 390 | 184,2 | 158,8 | 6 | 13,5 | 1/4-18 | 3/8-18 | 202 |
| 12CB350 | 1500 | 120 | 51 | 448 | 184,2 | 158,8 | 6 | 13,5 | 1/4-18 | 3/8-18 | 230 |
| 14CB400 | 2230 | 133 | 51 | 498 | 235,0 | 209,6 | 6 | 13,5 | 1/4-18 | 3/8-18 | 254 |

| SI | Nm @ 5,2 bar | Dimensions in millimeters | | | | | | | | | | | | |
|----------------|----------------------|-----------------------------|--------|-----------------|-----------------|-----|------------------|--------|-----------------|--------|------------------|------|------|--|
| English | | Dimensions in inches | | | | | | | | | | | | |
| 4CB200 | | 0.875 thru 1.437 | | | | 2.0 | | | | 103502 | 2.63 | 1.2 | 0.44 | |
| 6CB200 | | 1.250 thru 2.000 | | 103419 | 6.28 | 2.0 | 1.1 | 3.50 | 103503 | 3.41 | 1.4 | 0.63 | | |
| 8CB250 | | 1.250 thru 2.000 | | 103420 | 6.78 | 2.4 | 1.1 | 4 | 103504 | 3.91 | 1.7 | 0.94 | | |
| 10CB300 | | 1.750 thru 2.500 | | 103421 | 8.22 | 3.2 | 1.4 | 5.06 | 103505 | 4.59 | 2.0 | 1.44 | | |
| | | 2.563 thru 3.125 | | 103422 | 9.19 | 4.0 | 1.4 | 4.44 | 103506 | 5.56 | 2.5 | 0.81 | | |
| 12CB350 | | 1.750 thru 2.500 | | 103423 | 8.84 | 3.5 | 1.5 | 5.69 | 103507 | 5.22 | 1.3 | 2.06 | | |
| | | 2.563 thru 3.125 | | 103424 | 9.81 | 4.1 | 1.5 | 5.06 | 103508 | 6.17 | 2.5 | 1.44 | | |
| 14CB400 | | 1.750 thru 2.500 | | 103425 | 9.34 | 3.8 | 1.6 | 6.19 | 103509 | 5.72 | 2.0 | 2.56 | | |
| | | 2.563 thru 3.125 | | 103426 | 10.31 | 4.4 | 1.6 | 5.56 | 103510 | 6.69 | 3.0 | 1.94 | | |
| Size | Shaft Diameter | Part No. | D | D ₃₇ | D ₃₈ | X | Part No. | D | D ₃₈ | X | | | | |
| | for Spider or Drum ⑤ | | | | | | PCB-204 Assembly | | | | PCB-208 Assembly | | | |
| | Shaft Diameters | Part No | D | D ₃₇ | D ₃₈ | X | Part No. | D | D ₃₈ | X | | | | |
| 4CB200 | 0.875 thru 1.437 | | | 51 | | | 103502 | 67 | 30 | 11 | | | | |
| 6CB200 | 1.250 thru 2.000 | | 103419 | 160 | 51 | 28 | 89 | 103503 | 87 | 36 | 16 | | | |
| 8CB250 | 1.250 thru 2.000 | | 103420 | 172 | 61 | 28 | 102 | 103504 | 99 | 43 | 24 | | | |
| 10CB300 | 1.750 thru 2.500 | | 103421 | 209 | 81 | 36 | 129 | 103505 | 117 | 51 | 37 | | | |
| | 2.563 thru 3.125 | | 103422 | 233 | 102 | 36 | 113 | 103506 | 141 | 64 | 21 | | | |
| 12CB350 | 1.750 thru 2.500 | | 103423 | 225 | 89 | 38 | 145 | 103507 | 133 | 33 | 52 | | | |
| | 2.563 thru 3.125 | | 103424 | 249 | 104 | 38 | 129 | 103508 | 157 | 64 | 37 | | | |
| 14CB400 | 1.750 thru 2.500 | | 103425 | 237 | 97 | 41 | 157 | 103509 | 145 | 51 | 65 | | | |
| | 2.563 thru 3.125 | | 103426 | 262 | 112 | 41 | 141 | 103510 | 170 | 76 | 49 | | | |
| SI | inches | Dimensions in millimeters | | | | | | | | | | | | |

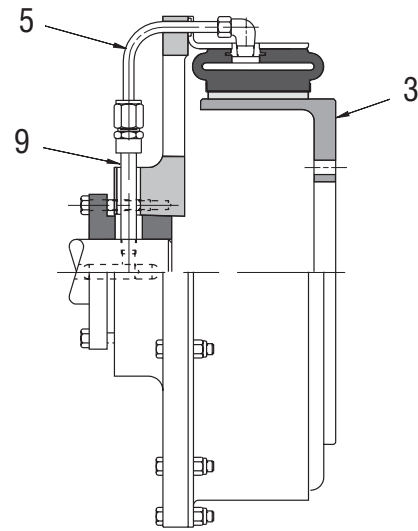
Notes appear on component parts page (p B-38).

Forms 204, 205,
206, & 208

Tapered Bushing Arrangements – Component Part Numbers
Sizes 4 to 14



PCB - 205 Arrangement



PCB - 204 Arrangement

| Size | 1 Clutch Element | 2 Brake Element | 3 Drum w/thru holes | 4 Drum w/tapped holes | 5 Air Tube |
|----------------|---------------------|--------------------|------------------------|--------------------------|---------------|
| 4CB200 | 142840JD | 142840JA | | | 202735 |
| 6CB200 | 142095JC | 142095JA | 407043 | 407044 | 201641 |
| 8CB250 | 142096JC | 142096JA | 407045 | 407046 | 201640 |
| 10CB300 | 142197JC | 142197JA | 407047 | 407048 | 201598 |
| 12CB350 | 142098JC | 142098JA | 407049 | 407050 | 201654 |
| 14CB400 | 142087JC | 142087JA | 407051 | 407052 | 201605 |

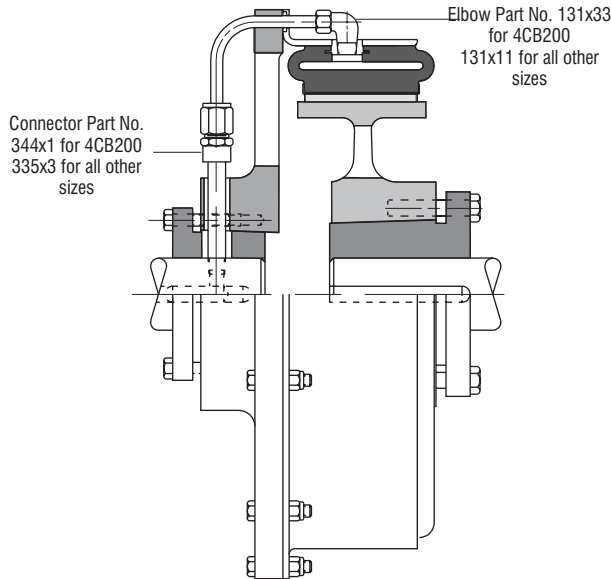
| Size | Shaft Diameter in | 6 | 7 | 8 | 9 |
|----------------|----------------------|--------|---------------|----------|-------------|
| | | Spider | Integral Drum | Drum Hub | Pipe Nipple |
| 4CB200 | 0.875-1.125 | 407855 | 407854 | | 70 x 185 |
| | 1.188-1.438 | 407855 | 407854 | | 70 x 5 |
| 6CB200 | 1.250-2.000 | 405307 | 405325 | 405326 | 70 x 135 |
| 8CB250 | 1.250-2.000 | 405308 | 405341 | 405326 | 70 x 19 |
| 10CB300 | 1.750-2.500 | 405309 | 405342 | 405331 | 70 x 121 |
| | 2.563-3.125 | 405312 | 405343 | 405334 | 70 x 19 |
| 12CB350 | 1.750-2.500 | 405310 | 405344 | 405331 | 70 x 212 |
| | 2.563-3.125 | 405313 | 405345 | 405334 | 70 x 212 |
| 14CB400 | 1.750-2.500 | 405311 | 405346 | 405323 | 70 x 145 |
| | 2.563-3.125 | 405314 | 405347 | 405324 | 70 x 19 |

| 4CB200 | | |
|----------------------|---------------|---------------|
| Shaft Diameter in | 10 Bushing | 11 Bushing |
| 0.875 | 304038-1 | 304037-7 |
| 0.938 | 304038-2 | 304037-8 |
| 1.000 | 304038-3 | 304037-9 |
| 1.063 | 304038-4 | 304037-10 |
| 1.125 | 304038-5 | 304037-11 |
| 1.188 | 304038-6 | 304037-12 |
| 1.250 | 304038-7 | 304037-13 |
| 1.313 | 304038-8 | 304037-14 |
| 1.375 | 304038-9 | 304037-15 |
| 1.438 | 304038-10 | 304037-16 |

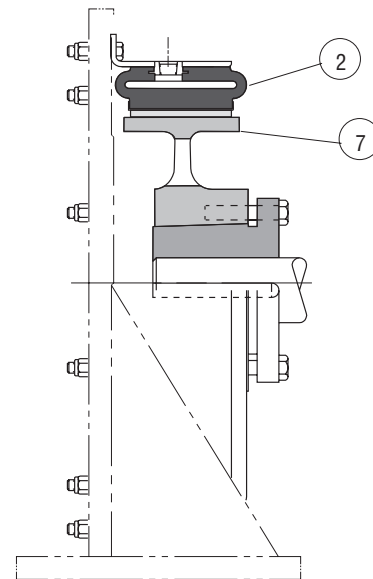
| 6CB200 & 8CB250 | | |
|----------------------------|---------------|---------------|
| Shaft Diameter in | 10 Bushing | 11 Bushing |
| 1.250 | 304040-1 | 304039-9 |
| 1.313 | 304040-2 | 304039-10 |
| 1.375 | 304040-3 | 304039-11 |
| 1.438 | 304040-4 | 304039-12 |
| 1.500 | 304040-5 | 304039-13 |
| 1.563 | 304040-6 | 304039-14 |
| 1.625 | 304040-7 | 304039-15 |
| 1.688 | 304040-8 | 304039-16 |
| 1.750 | 304040-9 | 304039-17 |
| 1.813 | 304040-10 | 304039-18 |

Forms 204, 205,
206, & 208

Tapered Bushing Arrangements – Component Part Numbers
Sizes 4 to 14



PCB - 206 Arrangement



PCB - 208 Arrangement

| 10CB300, 12CB350, 14CB400 | | |
|---------------------------|---------------|---------------|
| Shaft Diameter in | 10 Bushing | 11 Bushing |
| 1.750 | 304042-1 | 304041-11 |
| 1.813 | 304042-2 | 304041-12 |
| 1.875 | 304042-3 | 304041-13 |
| 1.938 | 304042-4 | 304041-14 |
| 2.000 | 304042-5 | 304041-15 |
| 2.063 | 304042-6 | 304041-16 |
| 2.125 | 304042-7 | 304041-17 |
| 2.188 | 304042-8 | 304041-18 |
| 2.250 | 304042-9 | 304041-19 |
| 2.313 | 304042-10 | 304041-20 |
| 2.375 | 304042-11 | 304041-21 |
| 2.438 | 304042-12 | 304041-22 |
| 2.500 | 304042-13 | 304041-23 |

| 10CB300, 12CB350, 14CB400 | | |
|---------------------------|---------------|---------------|
| Shaft Diameter in | 10 Bushing | 11 Bushing |
| 2.563 | 304044-1 | 304043-12 |
| 2.625 | 304044-2 | 304043-13 |
| 2.688 | 304044-3 | 304043-14 |
| 2.750 | 304044-4 | 304043-15 |
| 2.813 | 304044-5 | 304043-16 |
| 2.875 | 304044-6 | 304043-17 |
| 2.938 | 304044-7 | 304043-18 |
| 3.000 | 304044-8 | 304043-19 |
| 3.063 | 304044-9 | 304043-20 |
| 3.125 | 304044-10 | 304043-21 |

| Size | 1 Element | | 4 Drum | | 6 Spider | | 7 Integral Drum | | 8 Drum Hub | | 10 or 11 Bushing | |
|---------|--------------|---------------------------------------|--------------|---------------------------------------|--------------|---------------------------------------|--------------------|---------------------------------------|---------------|---------------------------------------|---------------------|---------------------------------------|
| | Weight lb | Wk ² lb ft ² | Weight lb | Wk ² lb ft ² | Weight lb | Wk ² lb ft ² | Weight lb | Wk ² lb ft ² | Weight lb | Wk ² lb ft ² | Weight lb | Wk ² lb ft ² |
| 4CB200 | 2.5 | 0.2 | | | 4.2 | 0.2 | 3.3 | 0.1 | | | 1.6 | .01 |
| 6CB200 | 7 | 1 | 5.5 | 0.3 | 10 | 0.9 | 9 | 0.3 | 6 | 0.2 | 3.5 | 0.1 |
| 8CB250 | 9 | 2 | 12.5 | 1.1 | 16 | 2 | 14 | 1 | 6 | 0.2 | 4.4 | 0.1 |
| 10CB300 | 19 | 6 | 19 | 2.7 | 41 | 5 | 25 | 2.6 | 16 | 1 | 16 | 0.5 |
| 12CB350 | 26 | 11 | 30 | 5.9 | 44 | 10 | 39 | 5.8 | 16 | 1 | 16 | 0.5 |
| 14CB400 | 31 | 17 | 38 | 10.5 | 41 | 14 | 48 | 11.4 | 23 | 2 | 16 | 0.5 |

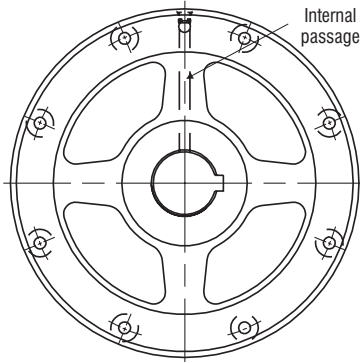
Notes:

- ① Dynamic torque shown, static torque approximately 25% greater. Torque in each application is dependent upon air pressure and speed.
- ② Tolerance +0.003/-0.000 in.
- ③ American National Pipe Thread
- ④ AA2 Rotorseal for 4CB200.
B3 Rotorseal for all other sizes.
Refer to Section for mounting and dimensional information.
- ⑤ For inch series shafting.

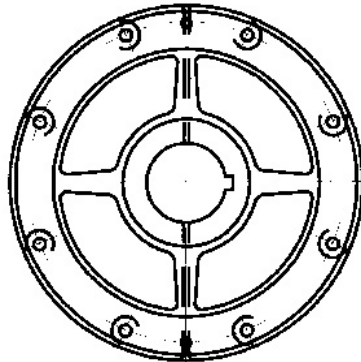
Form CB 417 Shaft to Clutch Element piping

Element Sizes 6 to 14

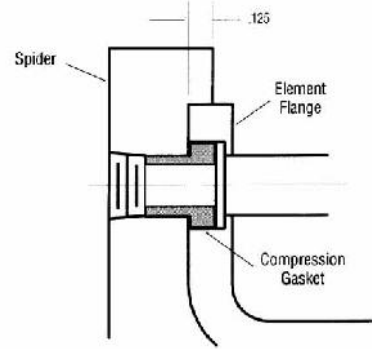
Spiders for these sizes have internal air passages in the spider spokes.



Single Connection

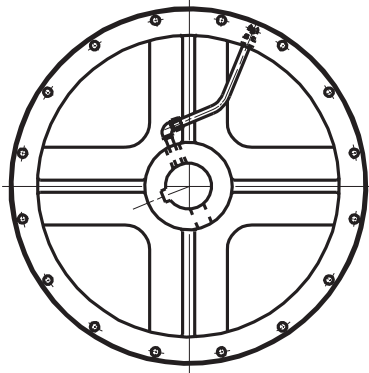


Two Connections

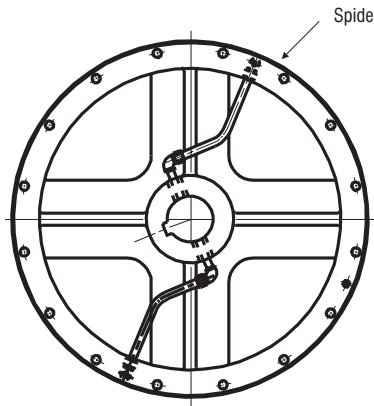


Element Sizes 16 to 45

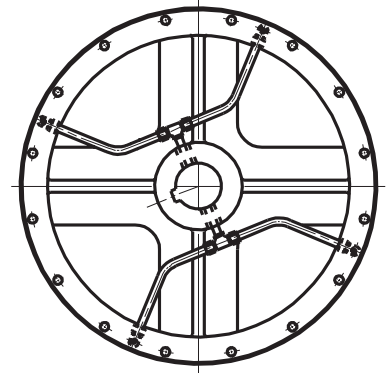
External piping versus number of connections



Single Connection

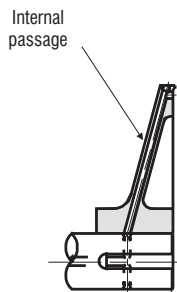


Two Connections

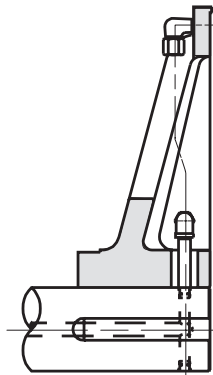


Four Connections

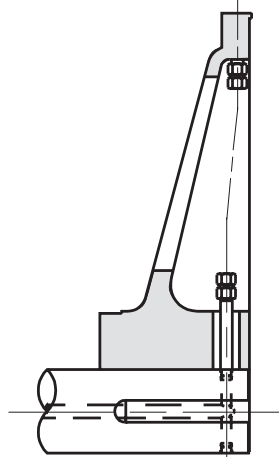
Spider Configuration versus Element size



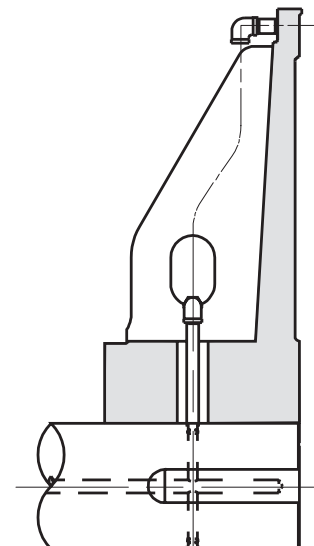
Sizes
6 thru 14



Sizes
16 thru 28



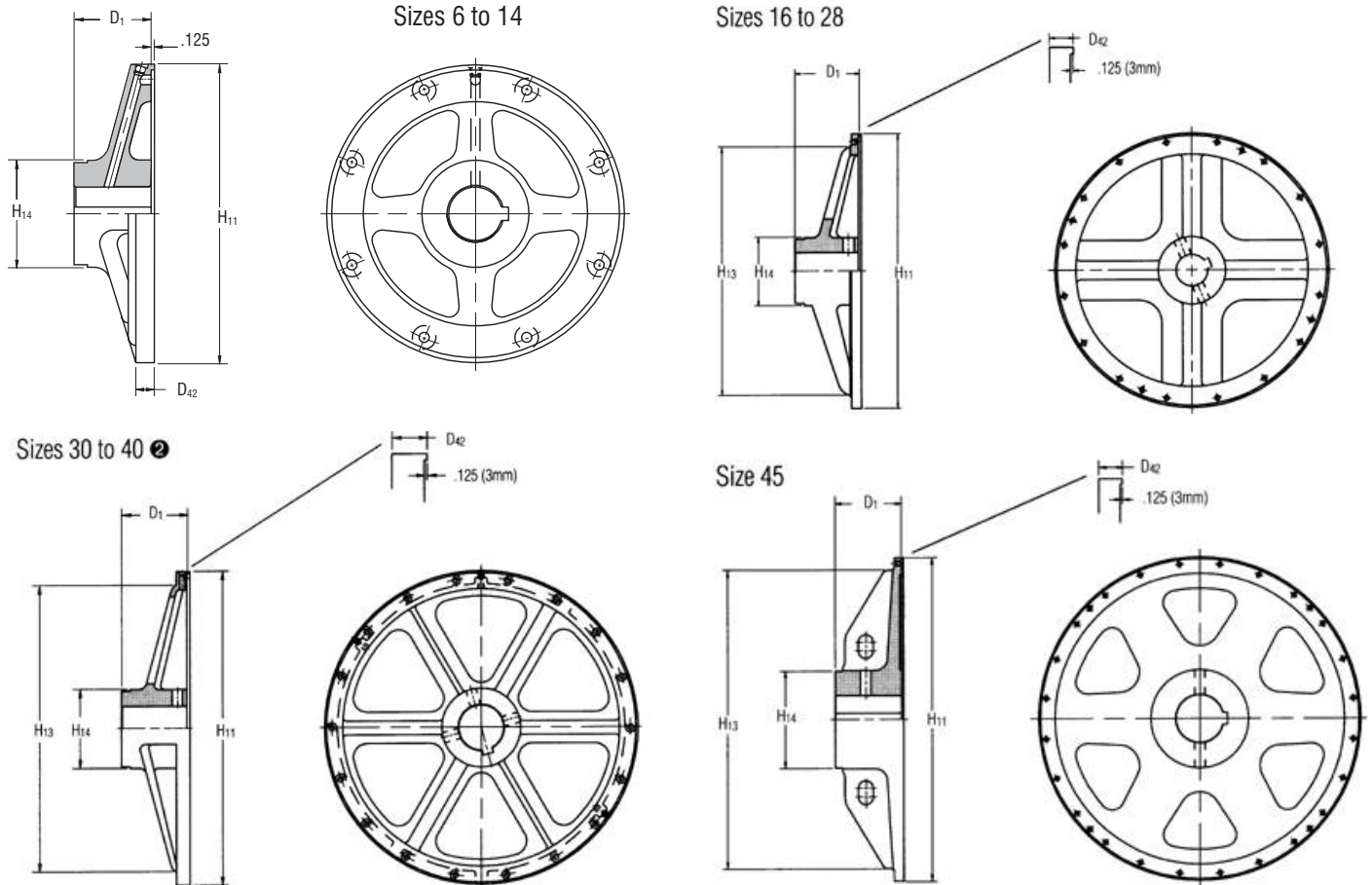
Sizes
30 thru 40



Size
45

Form CB 415

Element Spiders – Dimensional and Technical Data
Single and Dual sizes 6 to 45



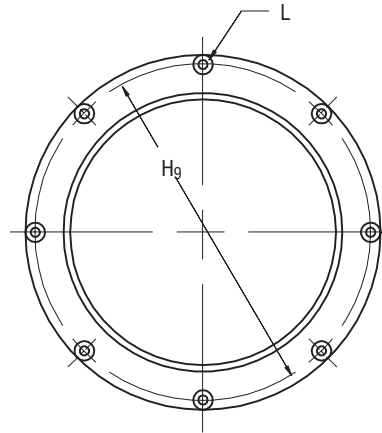
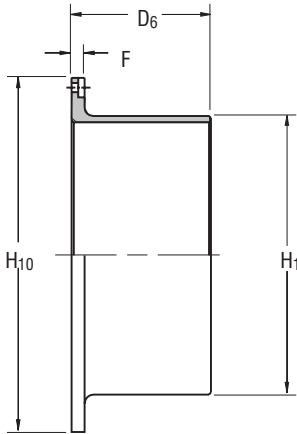
| Size | Part No. for: | | English Units | | | | | | | SI Units | | | | | | |
|---------|----------------------|----------------------|---------------|---------------------------------------|----------------------|-----------------|-----------------|-----------------|-----------------|------------|------------------------|---------------------------|-----------------|-----------------|-----------------|-----------------|
| | | | Weight lb | Wk ² lb ft ² | Dimensions in inches | | | | | Mass kg | J kg m ² | Dimensions in millimeters | | | | |
| | Single Connection | Multi- Connection | | | D ₁ | D ₄₂ | H ₁₁ | H ₁₃ | H ₁₄ | | | D ₁ | D ₄₂ | H ₁₁ | H ₁₃ | H ₁₄ |
| 6CB200 | 408367 | 408368 | 15 | 1.7 | 2.50 | 0.56 | 11.13 | N/A | 4.00 | 6,8 | 0,07 | 64 | 14 | 283 | N/A | 102 |
| 8CB250 | 408369 | 408370 | 19 | 2.3 | 2.88 | 0.56 | 13.25 | N/A | 4.00 | 8,6 | 0,10 | 73 | 14 | 337 | N/A | 102 |
| 10CB300 | 408371 | 408372 | 40 | 5.3 | 3.56 | 0.62 | 15.75 | N/A | 6.00 | 18 | 0,22 | 91 | 16 | 400 | N/A | 152 |
| 12CB350 | 408373 | 408374 | 46 | 8.1 | 4.00 | 0.59 | 18.00 | N/A | 6.00 | 21 | 0,34 | 102 | 15 | 457 | N/A | 152 |
| 14CB400 | 408375 | 408376 | 50 | 11.2 | 4.34 | 0.59 | 20.00 | N/A | 6.00 | 23 | 0,47 | 110 | 15 | 508 | N/A | 152 |
| 16CB500 | N/A | 408276 | 146 | 53 | 5.50 | 1.06 | 24.00 | 21.25 | 7.00 | 66 | 2,23 | 140 | 27 | 610 | 540 | 178 |
| 18CB500 | N/A | 408277 | 152 | 63 | 5.50 | 1.06 | 26.00 | 23.25 | 8.00 | 69 | 2,65 | 140 | 27 | 660 | 591 | 203 |
| 20CB500 | N/A | 408278 | 183 | 91 | 5.50 | 1.06 | 28.00 | 25.25 | 8.00 | 83 | 3,82 | 140 | 27 | 711 | 641 | 203 |
| 22CB500 | N/A | 408279 | 227 | 123 | 6.00 | 1.06 | 30.00 | 27.00 | 8.50 | 103 | 5,17 | 152 | 27 | 762 | 686 | 216 |
| 24CB500 | N/A | 408280 | 257 | 150 | 6.50 | 1.06 | 32.00 | 29.00 | 8.50 | 116 | 6,30 | 165 | 27 | 813 | 737 | 216 |
| 26CB525 | N/A | 408281 | 298 | 220 | 6.50 | 1.06 | 34.63 | 31.00 | 9.00 | 135 | 9,24 | 165 | 27 | 879 | 787 | 229 |
| 28CB525 | N/A | 408282 | 337 | 270 | 7.50 | 1.06 | 36.63 | 33.50 | 9.00 | 153 | 11,34 | 191 | 27 | 930 | 851 | 229 |
| 30CB525 | N/A | 407096 | 341 | 390 | 7.50 | 1.69 | 38.63 | 35.00 | 9.50 | 154 | 16,38 | 191 | 43 | 981 | 889 | 241 |
| 32CB525 | N/A | 407097 | 392 | 453 | 7.50 | 1.69 | 40.63 | 37.00 | 9.50 | 178 | 19,03 | 191 | 43 | 1032 | 940 | 241 |
| 36CB525 | N/A | 407098 | 505 | 710 | 8.50 | 1.69 | 45.25 | 41.50 | 11.38 | 229 | 29,82 | 216 | 43 | 1149 | 1054 | 289 |
| 40CB525 | N/A | 407099 | 464 | 774 | 8.50 | 1.69 | 49.25 | 46.75 | 11.00 | 210 | 32,51 | 216 | 43 | 1251 | 1187 | 279 |
| 45CB525 | N/A | 502369 | 1294 | 1887 | 11.00 | 1.31 | 54.25 | 50.48 | 16.50 | 586 | 79,25 | 279 | 33 | 1378 | 1282 | 419 |

Notes:

- ① Based upon minimum bores.
- ② Air inlet locations vary. Consult factory for exact location.

Form CB 428

External Flange Drums – Dimensional and Technical Data
Single and Dual sizes 6 to 45



| Size | Part Numbers | |
|---------|--------------|-----------|
| | Single Drum | Dual Drum |
| 12CB350 | 411778 | 408648 |
| 14CB400 | 411779 | 411707 |
| 16CB500 | 411780 | 408682 |
| 18CB500 | 411781 | 410523 |
| 20CB500 | 411782 | 404605 |
| 22CB500 | 411783 | 406030 |
| 24CB500 | 411784 | 402145 |
| 26CB525 | 411786 | 411453 |
| 28CB525 | 411785 | 404942 |
| 30CB525 | 411787 | N/A |
| 32CB525 | 411788 | N/A |
| 36CB525 | 411789 | N/A |
| 40CB525 | 411790 | N/A |
| 45CB525 | 411791 | N/A |

| English | Dimensions in inches | | | | | | | | | | | | | | | |
|---------|----------------------|----|-------------|--------|--------|----|-------|-----|-----------|-------|--------|--------|----|-------|-----|-----|
| | Single & Dual | | Single Drum | | | | | | Dual Drum | | | | | | | |
| 12CB350 | 0.75 | 12 | 6.00 | 13.125 | 13.875 | 8 | 0.406 | 26 | 6.4 | 12.06 | 17.250 | 18.375 | 8 | 0.531 | 100 | 28 |
| 14CB400 | 0.75 | 14 | 6.63 | 17.250 | 18.375 | 8 | 0.531 | 45 | 18 | 13.00 | 21.375 | 22.500 | 6 | 0.656 | 103 | 47 |
| 16CB500 | 0.75 | 16 | 8.00 | 19.250 | 20.375 | 8 | 0.531 | 63 | 31 | 14.31 | 25.250 | 26.500 | 12 | 0.656 | 182 | 103 |
| 18CB500 | 0.75 | 18 | 8.00 | 21.375 | 22.500 | 6 | 0.531 | 72 | 44 | 16.00 | 25.250 | 26.500 | 12 | 0.656 | 201 | 126 |
| 20CB500 | 1.00 | 20 | 8.00 | 25.250 | 26.500 | 12 | 0.656 | 126 | 102 | 16.00 | 25.250 | 26.500 | 12 | 0.656 | 191 | 144 |
| 22CB500 | 1.00 | 22 | 8.00 | 25.250 | 26.500 | 12 | 0.656 | 115 | 103 | 16.00 | 25.250 | 26.500 | 12 | 0.656 | 186 | 159 |
| 24CB500 | 1.00 | 24 | 8.00 | 27.250 | 28.875 | 12 | 0.656 | 130 | 139 | 16.00 | 27.250 | 28.875 | 12 | 0.781 | 208 | 212 |
| 26CB525 | 1.00 | 26 | 8.50 | 29.250 | 30.750 | 12 | 0.781 | 144 | 178 | 17.00 | 29.250 | 30.750 | 12 | 0.781 | 234 | 278 |
| 28CB525 | 1.00 | 28 | 8.50 | 30.250 | 31.875 | 12 | 0.781 | 143 | 200 | 17.00 | 30.250 | 31.875 | 12 | 0.781 | 240 | 326 |
| 30CB525 | 1.00 | 30 | 8.50 | 33.000 | 34.750 | 12 | 0.781 | 166 | 271 | | | | | | | |
| 32CB525 | 1.00 | 32 | 8.50 | 35.250 | 36.750 | 14 | 0.781 | 177 | 327 | | | | | | | |
| 36CB525 | 1.00 | 36 | 8.50 | 39.250 | 40.750 | 16 | 0.781 | 199 | 462 | | | | | | | |
| 40CB525 | 1.00 | 40 | 8.50 | 43.250 | 44.750 | 16 | 0.781 | 220 | 631 | | | | | | | |
| 45CB525 | 1.00 | 45 | 8.50 | 48.250 | 49.750 | 16 | 0.781 | 248 | 893 | | | | | | | |

| Size | ① | | ② | | No. | Dia. | lb | lb ft ² | D ₆ | H ₉ | H ₁₀ | No. | Dia. | lb | lb ft ² | | | | | | |
|---------|----|----------------|----------------|----------------|--------|------|----|--------------------|----------------|----------------|-----------------|-------|------|----|--------------------|----------|--------|-------------------|----------|--------|-------------------|
| | F | H ₁ | D ₆ | H ₉ | | | | | | | | | | | | L (Bolt) | Weight | Wk ² | L (Bolt) | Weight | Wk ² |
| | | | | | | | | | | | | | | | | | Mass | J | | Mass | J |
| | | | | | | | | | | | | | | | | | kg | kg m ² | | kg | kg m ² |
| 12CB350 | 19 | 305 | 152 | 333,4 | 352,4 | 8 | 10 | 2,9 | 0,27 | 306 | 438,2 | 466,7 | 8 | 13 | 45 | 1,18 | | | | | |
| 14CB400 | 19 | 356 | 168 | 438,2 | 466,7 | 8 | 13 | 8,2 | 0,76 | 330 | 542,9 | 571,5 | 6 | 17 | 47 | 1,97 | | | | | |
| 16CB500 | 19 | 406 | 203 | 489,0 | 517,5 | 8 | 13 | 14 | 1,30 | 363 | 641,4 | 673,1 | 12 | 17 | 82 | 4,33 | | | | | |
| 18CB500 | 19 | 457 | 203 | 542,9 | 571,5 | 6 | 13 | 20 | 1,85 | 406 | 641,4 | 673,1 | 12 | 17 | 91 | 5,29 | | | | | |
| 20CB500 | 25 | 508 | 203 | 641,4 | 673,1 | 12 | 17 | 46 | 4,28 | 406 | 641,4 | 673,1 | 12 | 17 | 87 | 6,05 | | | | | |
| 22CB500 | 25 | 559 | 203 | 641,4 | 673,1 | 12 | 17 | 47 | 4,33 | 406 | 641,4 | 673,1 | 12 | 17 | 84 | 6,68 | | | | | |
| 24CB500 | 25 | 610 | 203 | 692,2 | 733,4 | 12 | 17 | 63 | 5,84 | 406 | 692,2 | 733,4 | 12 | 20 | 94 | 8,90 | | | | | |
| 26CB525 | 25 | 660 | 216 | 743,0 | 781,1 | 12 | 20 | 81 | 7,48 | 432 | 743,0 | 781,1 | 12 | 20 | 106 | 11,68 | | | | | |
| 28CB525 | 25 | 711 | 216 | 768,4 | 809,6 | 12 | 20 | 91 | 8,40 | 432 | 768,4 | 809,6 | 12 | 20 | 109 | 13,69 | | | | | |
| 30CB525 | 25 | 762 | 216 | 838,2 | 882,7 | 12 | 20 | 123 | 11,38 | | | | | | | | | | | | |
| 32CB525 | 25 | 813 | 216 | 895,4 | 933,5 | 14 | 20 | 148 | 13,73 | | | | | | | | | | | | |
| 36CB525 | 25 | 914 | 216 | 997,0 | 1035,1 | 16 | 20 | 209 | 19,40 | | | | | | | | | | | | |
| 40CB525 | 25 | 1016 | 216 | 1098,6 | 1136,7 | 16 | 20 | 286 | 26,50 | | | | | | | | | | | | |
| 45CB525 | 25 | 1143 | 216 | 1225,6 | 1263,7 | 16 | 20 | 405 | 37,51 | | | | | | | | | | | | |

| SI | Single & Dual | | Single Drum | | | | | | Dual Drum | | | | | | | |
|----|---------------------------|--|-------------|--|--|--|--|--|-----------|--|--|--|--|--|--|--|
| | Dimensions in millimeters | | | | | | | | | | | | | | | |

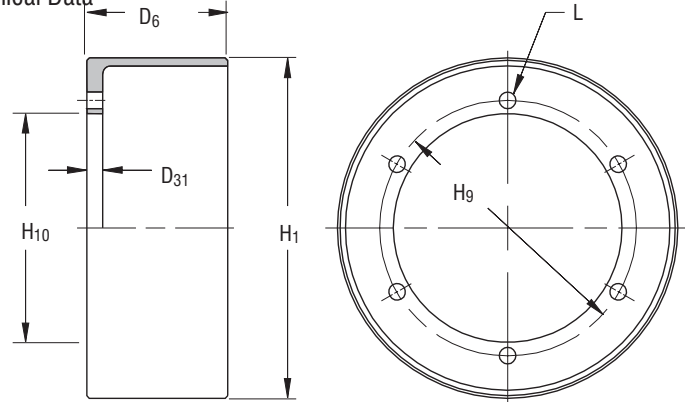
Notes:

- ① Tolerance +0.000/-0.010 in (+0,00/-0,25 mm).
- ② Tolerance +0.003/-0.000 in (+0,08/-0,00 mm).

Form CB 420

Internal Flange Drums – Dimensional and Technical Data
Single and Dual sizes 6 to 45

| Size | Part Numbers | | | Size | Part Numbers | | |
|---------|--------------|--------------|------------|---------|--------------|--------------|------------|
| | Single Drum | | Dual Drum | | Single Drum | | Dual Drum |
| | Thru Holes | Tapped Holes | Thru Holes | | Thru Holes | Tapped Holes | Thru Holes |
| 6CB200 | 407043 | 407044 | N/A | 22CB500 | 408287 | 408288 | 411865 |
| 8CB250 | 407045 | 407046 | N/A | 24CB500 | 407057 | 407058 | 411866 |
| 10CB300 | 407047 | 407048 | N/A | 26CB525 | 408289 | 408342 | 411867 |
| 12CB350 | 407049 | 407050 | 411860 | 28CB525 | 407059 | 407060 | 411868 |
| 14CB400 | 407051 | 407052 | 411861 | 30CB525 | 408343 | 408344 | 411869 |
| 16CB500 | 407053 | 407054 | 411862 | 32CB525 | 407061 | 407062 | 411870 |
| 18CB500 | 408285 | 408286 | 411863 | 36CB525 | 407063 | 407064 | 411871 |
| 20CB500 | 407055 | 407056 | 411864 | 40CB525 | 407065 | 407066 | 411872 |



| English | Dimensions in inches | | | | | | | Single Drum | | | Dual Drum | | |
|---------|----------------------|----------------|----------------|-----------------|-----|-------|---------------------|-------------|------|--------------------|-----------|-----|--------------------|
| | D ₃₁ | H ₁ | H ₉ | H ₁₀ | No. | Thru | Tapped ^④ | in | lb | lb ft ² | in | lb | lb ft ² |
| 6CB200 | 0.50 | 6 | 4.250 | 3.500 | 6 | 0.406 | 3/8-16 | 3.00 | 5.5 | 0.3 | | | |
| 8CB250 | 0.75 | 8 | 5.250 | 4.250 | 8 | 0.406 | 3/8-16 | 3.50 | 12.5 | 1.1 | | | |
| 10CB300 | 0.75 | 10 | 7.250 | 6.250 | 6 | 0.531 | 1/2-13 | 4.06 | 19 | 2.7 | | | |
| 12CB350 | 0.75 | 12 | 7.250 | 6.250 | 6 | 0.531 | 1/2-13 | 4.68 | 30 | 5.9 | 10.19 | 61 | 13 |
| 14CB400 | 0.75 | 14 | 9.250 | 8.250 | 6 | 0.531 | 1/2-13 | 5.18 | 38 | 10.5 | 11.19 | 83 | 24 |
| 16CB500 | 0.75 | 16 | 12.000 | 10.750 | 6 | 0.781 | 3/4-10 | 6.62 | 50 | 19 | 13.56 | 109 | 43 |
| 18CB500 | 1.00 | 18 | 13.500 | 12.125 | 8 | 0.781 | 3/4-10 | 6.62 | 67 | 31 | 13.56 | 126 | 63 |
| 20CB500 | 1.00 | 20 | 16.000 | 14.625 | 8 | 0.781 | 3/4-10 | 6.62 | 72 | 43 | 13.56 | 139 | 87 |
| 22CB500 | 1.00 | 22 | 18.500 | 16.750 | 10 | 0.781 | 3/4-10 | 6.62 | 79 | 58 | 13.56 | 152 | 117 |
| 24CB500 | 1.00 | 24 | 19.750 | 18.000 | 12 | 0.781 | 3/4-10 | 6.62 | 93 | 80 | 13.56 | 173 | 156 |
| 26CB525 | 1.00 | 26 | 21.500 | 19.500 | 14 | 0.781 | 3/4-10 | 7.06 | 108 | 110 | 14.19 | 198 | 211 |
| 28CB525 | 1.00 | 28 | 23.500 | 21.500 | 16 | 0.781 | 3/4-10 | 7.06 | 117 | 140 | 14.31 | 216 | 268 |
| 30CB525 | 1.00 | 30 | 25.000 | 23.000 | 18 | 0.781 | 3/4-10 | 7.06 | 140 | 192 | 14.31 | 237 | 337 |
| 32CB525 | 1.00 | 32 | 27.000 | 25.000 | 18 | 0.781 | 3/4-10 | 7.06 | 160 | 252 | 14.31 | 254 | 413 |
| 36CB525 | 1.00 | 36 | 31.000 | 29.000 | 20 | 0.781 | 3/4-10 | 7.06 | 180 | 319 | 14.31 | 287 | 597 |
| 40CB525 | 1.00 | 40 | 34.500 | 32.500 | 16 | 0.781 | 3/4-10 | 7.06 | 209 | 523 | 14.31 | 327 | 840 |
| 45CB525 | 1.00 | 45 | 39.500 | 37.500 | 10 | 1.031 | 3/4-10 | 7.06 | 237 | 758 | 14.31 | 369 | 1212 |

| Size | Single & Dual Drum | | | | No. | Thru | Tapped ^④ | in | lb | lb ft ² | in | lb | lb ft ² | | | | | | | |
|---------|--------------------|----------------|----------------|-----------------|-----|------|---------------------|-----|-----|--------------------|-----|-----|--------------------|----------------|----------------|--------|-----------------|----------------|--------|-----------------|
| | D ₃₁ | H ₁ | H ₉ | H ₁₀ | | | | | | | | | | L (Bolt Holes) | D ₆ | Weight | Wk ² | D ₆ | Weight | Wk ² |
| | Single & Dual Drum | | | | | | | | | | | | | | | | | | | |
| 6CB200 | 13 | 152 | 108,0 | 88,9 | 6 | 10 | 3/8-16 | 76 | 2,5 | 0,01 | | | | | | | | | | |
| 8CB250 | 19 | 203 | 133,4 | 108,0 | 8 | 10 | 3/8-16 | 89 | 5,7 | 0,05 | | | | | | | | | | |
| 10CB300 | 19 | 254 | 184,2 | 158,8 | 6 | 13 | 1/2-13 | 103 | 8,6 | 0,11 | | | | | | | | | | |
| 12CB350 | 19 | 305 | 184,2 | 158,8 | 6 | 13 | 1/2-13 | 119 | 14 | 0,25 | 259 | 28 | 0,55 | | | | | | | |
| 14CB400 | 19 | 356 | 235,0 | 209,6 | 6 | 13 | 1/2-13 | 132 | 17 | 0,44 | 284 | 38 | 1,01 | | | | | | | |
| 16CB500 | 19 | 406 | 304,8 | 273,1 | 6 | 20 | 3/4-10 | 168 | 23 | 0,80 | 344 | 49 | 1,81 | | | | | | | |
| 18CB500 | 25 | 457 | 342,9 | 308,0 | 8 | 20 | 3/4-10 | 168 | 30 | 1,30 | 344 | 57 | 2,65 | | | | | | | |
| 20CB500 | 25 | 508 | 406,4 | 371,5 | 8 | 20 | 3/4-10 | 168 | 33 | 1,81 | 344 | 63 | 3,65 | | | | | | | |
| 22CB500 | 25 | 559 | 469,9 | 425,5 | 10 | 20 | 3/4-10 | 168 | 36 | 2,44 | 344 | 69 | 4,91 | | | | | | | |
| 24CB500 | 25 | 610 | 501,7 | 457,2 | 12 | 20 | 3/4-10 | 168 | 42 | 3,36 | 344 | 78 | 6,55 | | | | | | | |
| 26CB525 | 25 | 660 | 546,1 | 495,3 | 14 | 20 | 3/4-10 | 179 | 49 | 4,62 | 360 | 90 | 8,86 | | | | | | | |
| 28CB525 | 25 | 711 | 596,9 | 546,1 | 16 | 20 | 3/4-10 | 179 | 53 | 5,88 | 363 | 98 | 11,26 | | | | | | | |
| 30CB525 | 25 | 762 | 635,0 | 584,2 | 18 | 20 | 3/4-10 | 179 | 63 | 8,06 | 363 | 107 | 14,15 | | | | | | | |
| 32CB525 | 25 | 813 | 685,8 | 635,0 | 18 | 20 | 3/4-10 | 179 | 72 | 10,58 | 363 | 115 | 17,35 | | | | | | | |
| 36CB525 | 25 | 914 | 787,4 | 736,6 | 20 | 20 | 3/4-10 | 179 | 81 | 13,40 | 363 | 130 | 25,07 | | | | | | | |
| 40CB525 | 25 | 1016 | 876,3 | 825,5 | 16 | 20 | 3/4-10 | 179 | 95 | 21,97 | 363 | 148 | 35,28 | | | | | | | |
| 45CB525 | 25 | 1143 | 1003,3 | 952,5 | 10 | 26 | 3/4-10 | 179 | 107 | 31,84 | 363 | 167 | 50,90 | | | | | | | |

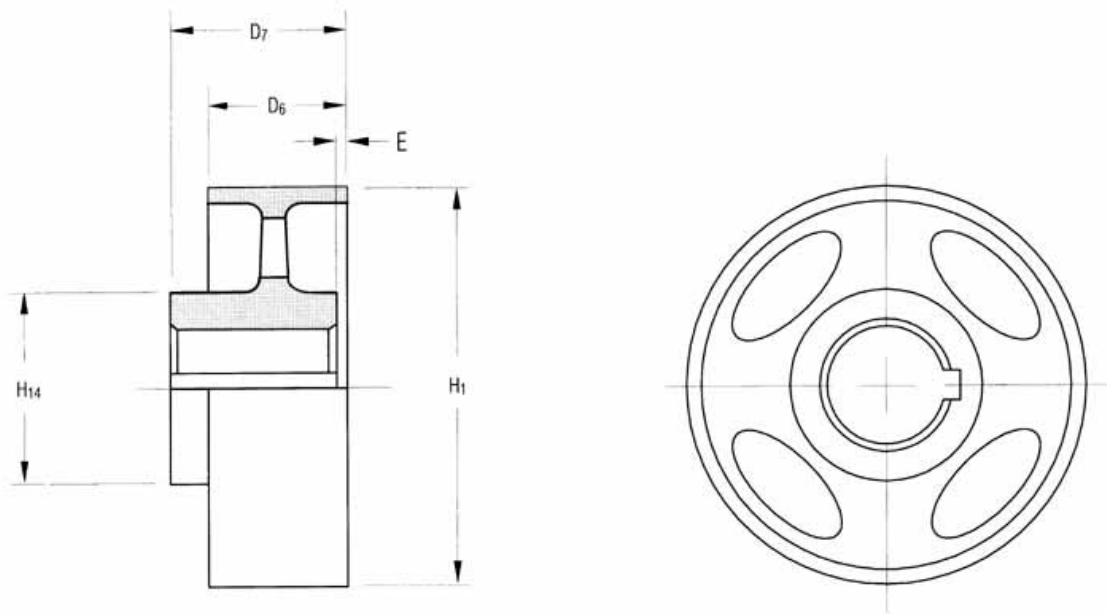
| SI | Dimensions in millimeters | | | | | | | Single Drum | | | Dual Drum | | |
|----|---------------------------|--|--|--|--|--|--|-------------|--|--|-----------|--|--|
|----|---------------------------|--|--|--|--|--|--|-------------|--|--|-----------|--|--|

Notes:

- ① Dual drum is only available with tapped holes only.
- ② Tolerance +0.000/-0.010 in (+0,00/-0,25 mm).
- ③ Tolerance for sizes:
6 thru 40 +0.003/-0.000 in (+0,08/-0,00 mm)
45 +0.005/-0.000 in (+0,13/-0,00 mm)
- ④ American National Standard for Unified Screw Threads.

Form CB 419

Integral Drum and Hub Dimensional and Technical Data



| English | | Dimensions in inches | | | | | | | | |
|----------------|-------------|---------------------------|--------------------|------|------|----------------|----------------|----------------|----------------|-----------------|
| 6CB200 | 10108 | 10 | 0.3 | 0.00 | 2.00 | 2.38 | 2.88 | 0.94 | 6 | 3.25 |
| 8CB250 | 10109 | 19 | 0.8 | 0.00 | 2.00 | 2.88 | 3.50 | 1.19 | 8 | 4.38 |
| 10CB300 | 10110 | 33 | 2.5 | 1.75 | 3.00 | 3.50 | 4.00 | 1.44 | 10 | 4.88 |
| 12CB350 | 10111 | 53 | 5.4 | 1.50 | 3.31 | 4.00 | 4.50 | 1.69 | 12 | 6.13 |
| 14CB400 | 09617 | 65 | 8.5 | 2.00 | 4.50 | 4.25 | 5.00 | 1.69 | 14 | 6.50 |
| 18CB500 | 402517 | 90 | 16 | 2.25 | 4.50 | 3.75 | 6.00 | 1.00 | 18 | 7.00 |
| 24CB500 | 502340 | 437 | 129 | 4.50 | 6.00 | 5.75 | 8.50 | - | 24 | 10.50 |
| Size | Part Number | lb | lb ft ² | Bore | | D ₆ | D ₇ | E ^② | H ₁ | H ₁₄ |
| | | Weight ^① | Wk ² | min. | max. | | | | | |
| | | Mass | J | | | | | | | |
| | | kg | kg m ² | min. | max. | | | | | |
| 6CB200 | 10108 | 4,5 | 0,01 | 0 | 51 | 60 | 73 | 23,88 | 152 | 83 |
| 8CB250 | 10109 | 8,6 | 0,03 | 0 | 51 | 73 | 89 | 30,23 | 203 | 111 |
| 10CB300 | 10110 | 15 | 0,11 | 44 | 76 | 89 | 102 | 36,58 | 254 | 124 |
| 12CB350 | 10111 | 24 | 0,23 | 38 | 84 | 102 | 114 | 42,93 | 305 | 156 |
| 14CB400 | 09617 | 29 | 0,36 | 51 | 114 | 108 | 127 | 42,93 | 356 | 165 |
| 18CB500 | 402517 | 41 | 0,67 | 57 | 114 | 95 | 152 | 25,44 | 457 | 178 |
| 24CB500 | 502340 | 198 | 5,42 | 114 | 152 | 146 | 216 | - | 610 | 267 |
| SI | | Dimensions in millimeters | | | | | | | | |

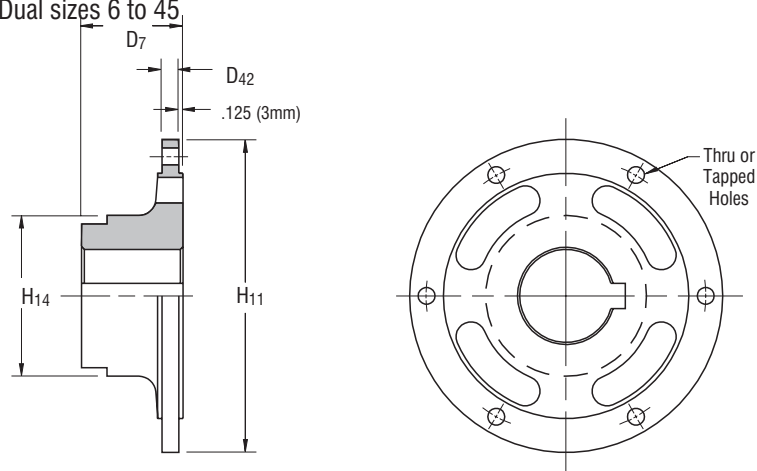
Notes:

① Based upon minimum bores.

② This dimension is maximum and must be specified by customer.

Form CB 418

Drum Hub – Dimensional and Technical Data
Single and Dual sizes 6 to 45



| English | | | | Dimensions in inches | | | | | | |
|----------------|---------------------------|--------------|--------|----------------------|------|------|----------------|-----------------|-----------------|-----------------|
| 6CB200 | 408414 | 408415 | 9 | 0.50 | 1.50 | 2.50 | 2.75 | 0.63 | 5.00 | 3.75 |
| 8CB250 | 406900 | 406901 | 12 | 0.50 | 1.50 | 2.50 | 2.75 | 0.63 | 6.00 | 4.00 |
| 10CB300 | 406902 | 406903 | 18 | 0.88 | 1.50 | 3.00 | 3.25 | 0.63 | 8.25 | 5.00 |
| 12CB350 | 406902 | 406903 | 18 | 0.88 | 1.50 | 3.00 | 3.25 | 0.63 | 8.25 | 5.00 |
| 14CB400 | 406904 | 406905 | 46 | 3.50 | 2.25 | 4.50 | 5.00 | 0.63 | 10.25 | 7.00 |
| 16CB500 | 406906 | 406907 | 68 | 6.50 | 1.75 | 4.50 | 5.75 | 0.75 | 13.50 | 7.00 |
| 18CB500 | 406908 | 406909 | 74 | 6.50 | 2.25 | 4.75 | 5.75 | 0.75 | 15.00 | 7.50 |
| 20CB500 | 406910 | 406911 | 93 | 8.50 | 2.75 | 4.75 | 5.75 | 0.75 | 17.50 | 7.50 |
| 22CB500 | 406912 | 406913 | 131 | 29.00 | 2.75 | 5.25 | 6.50 | 0.75 | 20.00 | 8.50 |
| 24CB500 | 406914 | 406915 | 132 | 30.00 | 2.75 | 5.25 | 6.50 | 0.75 | 21.50 | 8.50 |
| 26CB525 | 406916 | 406917 | 160 | 46.00 | 2.75 | 5.50 | 6.50 | 0.75 | 23.00 | 9.00 |
| 28CB525 | 406918 | 406919 | 175 | 61.00 | 2.75 | 5.50 | 6.50 | 0.75 | 25.00 | 9.00 |
| 30CB525 | 406920 | 406921 | 214 | 78.00 | 3.00 | 6.00 | 8.00 | 0.75 | 26.50 | 9.50 |
| 32CB525 | 406922 | 406923 | 222 | 102.00 | 3.00 | 6.00 | 8.00 | 0.75 | 28.50 | 9.50 |
| 36CB525 | 406924 | 406925 | 305 | 159.00 | 4.00 | 7.00 | 9.00 | 0.75 | 32.50 | 11.00 |
| 40CB525 | 406926 | 406927 | 358 | 247.00 | 4.00 | 7.00 | 9.00 | 0.75 | 36.00 | 11.00 |
| 45CB525 | 406928 | 406929 | 541 | 461.00 | 4.38 | 8.25 | 10.00 | 0.75 | 41.50 | 13.50 |
| Size | Thru Holes | Tapped Holes | lb | lb ft ² | min. | max. | D ₇ | D ₄₂ | H ₁₁ | H ₁₄ |
| | Part Number | | Weight | Wk ² | Bore | | | | | |
| | Thru Holes | Tapped Holes | Mass | J | min. | max. | | | | |
| | Thru Holes | Tapped Holes | kg | kg m ² | min. | max. | | | | |
| 6CB200 | 408414 | 408415 | 4,1 | 0,02 | 38 | 64 | 70 | 16 | 127 | 95 |
| 8CB250 | 406900 | 406901 | 5,4 | 0,02 | 38 | 64 | 70 | 16 | 152 | 102 |
| 10CB300 | 406902 | 406903 | 8,2 | 0,04 | 38 | 76 | 83 | 16 | 210 | 127 |
| 12CB350 | 406902 | 406903 | 8,2 | 0,04 | 38 | 76 | 83 | 16 | 210 | 127 |
| 14CB400 | 406904 | 406905 | 21 | 0,15 | 57 | 114 | 127 | 16 | 260 | 178 |
| 16CB500 | 406906 | 406907 | 31 | 0,27 | 44 | 114 | 146 | 19 | 343 | 178 |
| 18CB500 | 406908 | 406909 | 34 | 0,27 | 57 | 121 | 146 | 19 | 381 | 191 |
| 20CB500 | 406910 | 406911 | 42 | 0,36 | 70 | 121 | 146 | 19 | 445 | 191 |
| 22CB500 | 406912 | 406913 | 59 | 1,22 | 70 | 133 | 165 | 19 | 508 | 216 |
| 24CB500 | 406914 | 406915 | 60 | 1,26 | 70 | 133 | 165 | 19 | 546 | 216 |
| 26CB525 | 406916 | 406917 | 72 | 1,93 | 70 | 140 | 165 | 19 | 584 | 229 |
| 28CB525 | 406918 | 406919 | 79 | 2,56 | 70 | 140 | 165 | 19 | 635 | 229 |
| 30CB525 | 406920 | 406921 | 97 | 3,28 | 76 | 152 | 203 | 19 | 673 | 241 |
| 32CB525 | 406922 | 406923 | 101 | 4,28 | 76 | 152 | 203 | 19 | 724 | 241 |
| 36CB525 | 406924 | 406925 | 138 | 6,68 | 102 | 178 | 229 | 19 | 826 | 279 |
| 40CB525 | 406926 | 406927 | 162 | 10,37 | 102 | 178 | 229 | 19 | 914 | 279 |
| 45CB525 | 406928 | 406929 | 245 | 19,36 | 111 | 210 | 254 | 19 | 1054 | 343 |
| SI | Dimensions in millimeters | | | | | | | | | |

Notes:

① Based upon minimum bores.