



**SERIE
SERIES**

WA

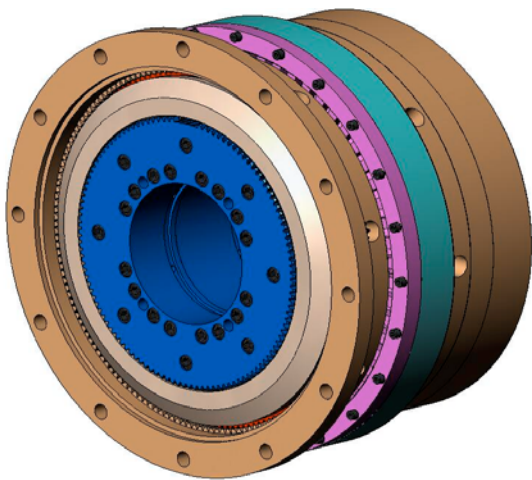


Arten Freios & Embreagens Ltda.

Fone: 11 5594-8333

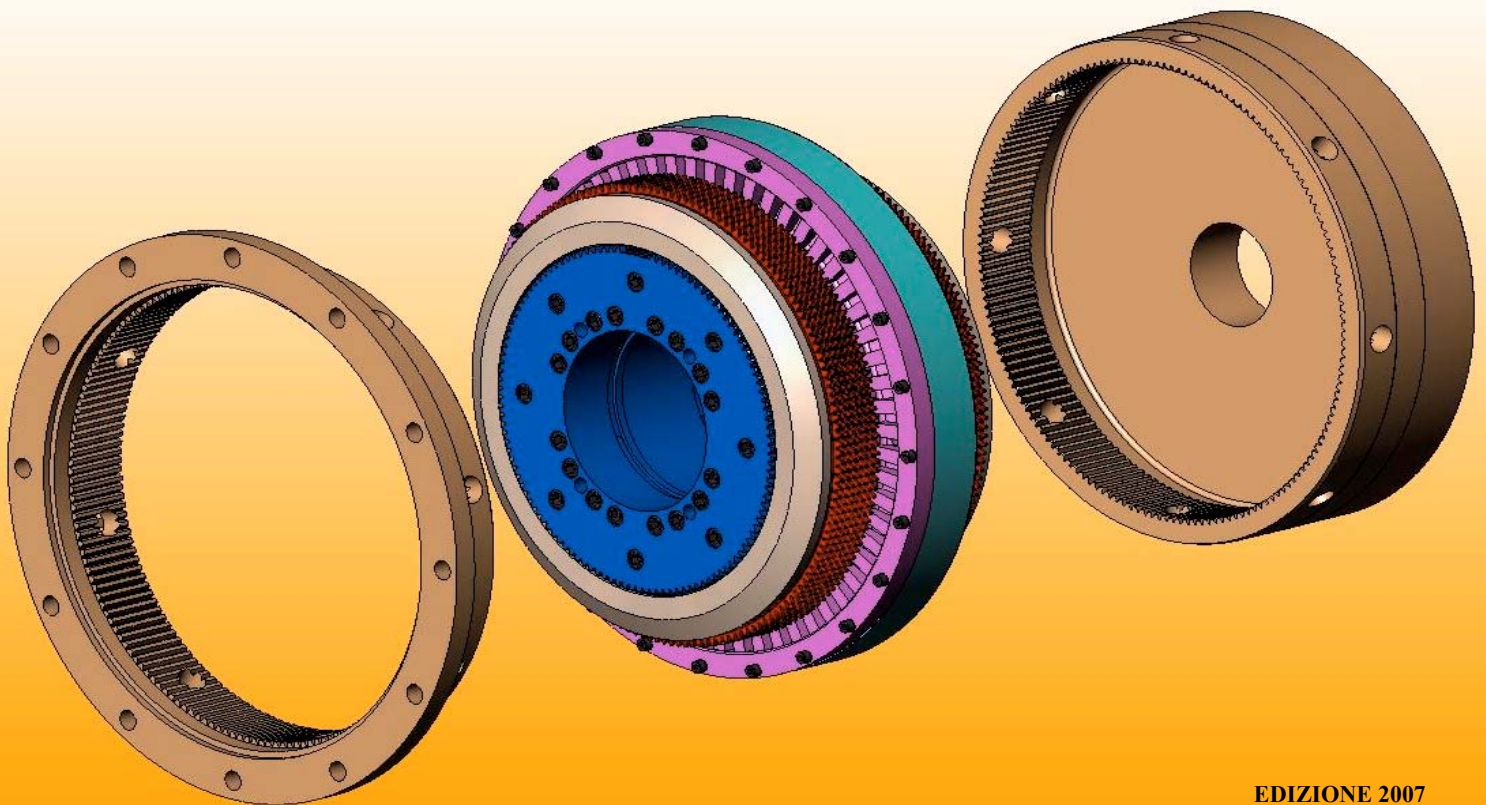
e-mail: arten@arten.com.br

site: www.arten.com.br



**GRUPPO FRIZIONE-FRENO A COMANDO
PNEUMATICO MULTIDISCO IN BAGNO D'OLIO
AIR ACTUATED, WET RUNNING
MULTI-PLATE CLUTCH-BRAKE UNIT**

**COPPIE FRIZIONE DA 3360 Nm A 49860 Nm
CLUTCH TORQUES FROM 3360 Nm (29.736 lbin)
TO 49860 Nm (441.261 lbin)**



EDIZIONE 2007

**COPPIE FRENO E FRIZIONE IN FUNZIONE
DELLA PRESSIONE DI COMANDO E DEL NUMERO DI MOLLE
CLUTCH AND BRAKE TORQUES
DUE TO THE OPERATING PRESSURE AND THE SPRINGS NUMBER**

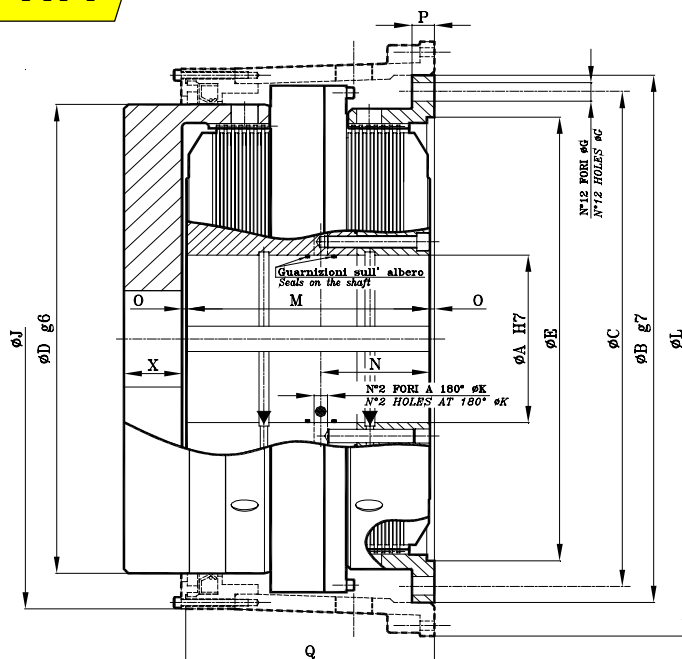
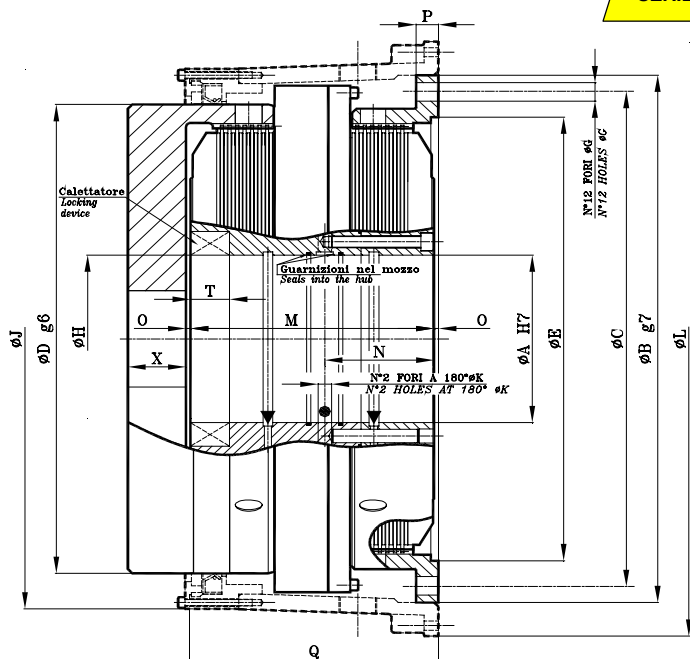
SERIE
SERIES

WA

| Grandezza Size | n° molle springs # | coppia freno [Nm] brake torque [lbin] | pressione apertura freno [bar] opening pressure [bar] | coppia frizione [Nm] alle pressioni [bar] clutch torque [lbin] at pressures [Psi] | | | | | | inerzia [kgm ²] inertia [lbf ²] |
|-------------------|-----------------------|--|--|--|------------------|-----------------|------------------|-----------------|------------------|--|
| | | | | 6 bar (87 Psi) | 5,5 bar (80 Psi) | 5 bar (73 Psi) | 4,5 bar (65 Psi) | 4 bar (58 Psi) | | |
| WA 040-020 | 18 | 2000 (17.700) | 2,73 | 3960 (35.046) | 3360 (29.736) | 2750 (24.338) | 2150 (19.028) | 1540 (13.629) | 0,49 (0.021) | |
| | 15 | 1660 (14.691) | 2,7 | 4520 (40.002) | 3900 (34.515) | 3300 (29.205) | 2700 (23.895) | 2090 (18.497) | | |
| | 12 | 1330 (11.771) | 2,67 | 5070 (44.870) | 4460 (39.471) | 3850 (34.073) | 3250 (28.763) | 2640 (23.364) | | |
| | 9 | 1000 (8.850) | 2,65 | 5620 (49.737) | 5010 (44.339) | 4400 (38.940) | 3800 (33.630) | 3190 (28.232) | | |
| WA 050-020 | 18 | 2000 (17.700) | 2,73 | 5670 (50.180) | 4800 (42.480) | 3930 (34.781) | 3070 (27.170) | 2200 (19.470) | 0,53 (0.023) | |
| | 15 | 1660 (14.691) | 2,7 | 6450 (57.083) | 5590 (49.472) | 4720 (41.772) | 3850 (34.073) | 2990 (26.462) | | |
| | 12 | 1330 (11.771) | 2,67 | 7250 (64.163) | 6380 (53.463) | 5520 (48.852) | 4650 (41.153) | 3780 (33.453) | | |
| | 9 | 1000 (8.850) | 2,65 | 8030 (71.066) | 7160 (63.366) | 6290 (55.667) | 5430 (48.056) | 4560 (40.356) | | |
| WA 070-040 | 18 | 4000 (35.400) | 2,76 | 7630 (67.526) | 6450 (57.083) | 5270 (46.640) | 4090 (36.197) | 2920 (25.842) | 1,54 (0.065) | |
| | 15 | 3330 (29.471) | 2,74 | 8710 (77.084) | 7530 (66.641) | 6360 (56.286) | 5180 (45.843) | 4000 (35.400) | | |
| | 12 | 2660 (23.541) | 2,72 | 9800 (86.730) | 8620 (76.287) | 7440 (65.844) | 6260 (55.401) | 5080 (44.958) | | |
| | 9 | 2000 (17.700) | 2,7 | 10880 (96.288) | 9700 (85.845) | 8520 (75.402) | 7350 (65.048) | 6170 (54.605) | | |
| WA 100-040 | 18 | 4000 (35.400) | 2,76 | 11440 (101.244) | 9680 (85.668) | 7910 (70.004) | 6140 (54.339) | 4380 (38.763) | 1,66 (0.070) | |
| | 15 | 3330 (29.471) | 2,74 | 13070 (115.670) | 11300 (100.005) | 9540 (84.429) | 7770 (68.765) | 6000 (53.100) | | |
| | 12 | 2660 (23.541) | 2,72 | 14700 (130.095) | 12930 (114.431) | 11160 (98.766) | 9390 (83.102) | 7630 (67.526) | | |
| | 9 | 2000 (17.700) | 2,7 | 16320 (144.432) | 14550 (128.768) | 12790 (113.192) | 11020 (97.527) | 9250 (81.863) | | |
| WA 120-080 | 18 | 8100 (71.685) | 3,05 | 12670 (112.130) | 10520 (93.102) | 8370 (74.075) | 6220 (55.047) | 4070 (36.020) | 3,52 (0.148) | |
| | 15 | 6750 (59.738) | 3,03 | 14850 (131.423) | 12700 (112.395) | 10550 (93.368) | 8410 (74.429) | 6260 (55.401) | | |
| | 12 | 5400 (47.790) | 3,01 | 17040 (150.804) | 14890 (131.777) | 12740 (112.749) | 10590 (93.722) | 8440 (74.694) | | |
| | 9 | 4050 (35.843) | 2,99 | 19220 (170.097) | 17070 (151.070) | 14920 (132.042) | 12780 (113.103) | 10630 (94.076) | | |
| WA 170-080 | 18 | 8100 (71.685) | 3,05 | 18100 (160.185) | 15030 (133.016) | 11960 (105.846) | 8890 (78.677) | 5820 (51.507) | 3,75 (0.158) | |
| | 15 | 6750 (59.738) | 3,03 | 21220 (187.797) | 18150 (160.628) | 15080 (133.458) | 12015 (106.333) | 8940 (79.119) | | |
| | 12 | 5400 (47.790) | 3,01 | 24340 (215.409) | 21270 (188.240) | 18200 (161.070) | 15130 (133.901) | 12060 (106.731) | | |
| | 9 | 4050 (35.843) | 2,99 | 27460 (243.021) | 24390 (215.852) | 21320 (188.682) | 18250 (161.513) | 15180 (134.343) | | |
| WA 200-160 | 18 | 16500 (146.025) | 3,03 | 26020 (230.277) | 21640 (191.514) | 17260 (152.751) | 12880 (113.988) | 8500 (75.225) | 9,78 (0.412) | |
| | 15 | 13750 (121.688) | 3,01 | 30440 (269.394) | 26060 (230.631) | 21680 (191.868) | 17300 (153.105) | 12920 (114.342) | | |
| | 12 | 11000 (97.350) | 3 | 34860 (308.511) | 30480 (269.748) | 26100 (230.985) | 21720 (192.222) | 17340 (153.459) | | |
| | 9 | 8250 (73.013) | 3,98 | 39280 (347.628) | 34900 (308.865) | 30520 (270.102) | 26140 (231.339) | 21760 (192.576) | | |
| WA 300-160 | 18 | 16500 (146.025) | 3,03 | 37170 (328.955) | 30910 (273.554) | 24660 (218.241) | 18400 (162.840) | 12150 (107.528) | 10,44 (0.439) | |
| | 15 | 13750 (121.688) | 3,01 | 43480 (384.798) | 37230 (329.486) | 30970 (274.085) | 24720 (218.772) | 18460 (163.371) | | |
| | 12 | 11000 (97.350) | 3 | 49800 (440.730) | 43540 (385.329) | 37290 (330.017) | 31030 (274.616) | 24780 (219.303) | | |
| | 9 | 8250 (73.013) | 2,98 | 56110 (496.574) | 49860 (441.261) | 43600 (385.860) | 37350 (330.548) | 31090 (275.147) | | |

GRUPPO FRIZIONE-FRENO A COMANDO PNEUMATICO MULTIDISCO (IN BAGNO D'OLIO)
AIR ACTUATED MULTI-PLATE CLUTCH-BRAKE UNIT (WET RUNNING)

SERIE WA



● Aria di alimentazione Drive air ▼ Olio raffreddamento Cooling oil

| Grandezza Size | STANDARD | | | | RINFORZATE / INCREASED | | | |
|---|------------------|------------------|--------------------|--------------------|------------------------|--------------------|--------------------|--------------------|
| | 040-020 | 070-040 | 120-080 | 200-160 | 050-020 | 100-040 | 170-080 | 300-160 |
| A max | 95 (3.878) | 130 (5.306) | 160 (6.531) | 200 (8.163) | 95 (3.878) | 130 (5.306) | 160 (6.531) | 200 (8.163) |
| preforo-prebore | 60 (2.45) | 70 (2.857) | 100 (4.082) | 115 (4.693) | 60 (2.45) | 70 (2.857) | 100 (4.082) | 115 (4.693) |
| B | 330 (13.469) | 425 (17.347) | 500 (20.408) | 630 (25.714) | 330 (13.469) | 425 (17.347) | 500 (20.408) | 630 (25.714) |
| C | 310 (12.653) | 400 (16.327) | 470 (19.18) | 590 (24.082) | 310 (12.653) | 400 (16.327) | 470 (19.18) | 590 (24.082) |
| D | 300 (12.245) | 380 (15.51) | 440 (17.959) | 560 (22.857) | 300 (12.245) | 380 (15.51) | 440 (17.959) | 560 (22.857) |
| E | 275 (11.224) | 350 (14.286) | 415 (16.939) | 530 (21.633) | 275 (11.224) | 350 (14.286) | 415 (16.939) | 530 (21.633) |
| G | 11 (0.45) | 14 (0.571) | 18 (0.735) | 22 (0.898) | 11 (0.45) | 14 (0.571) | 18 (0.735) | 22 (0.898) |
| H | 95 (3.878) | 120 (4.898) | 150 (6.122) | 190 (7.755) | 95 (3.878) | 120 (4.898) | 150 (6.122) | 190 (7.755) |
| J | 360 (14.69) | 449 (18.33) | 515,5 (21.04) | 645 (26.327) | 360 (14.69) | 449 (18.33) | 515,5 (21.04) | 645 (26.327) |
| K | 8 (0.327) | 10 (0.408) | 13 (0.53) | 15 (0.612) | 8 (0.327) | 10 (0.408) | 13 (0.53) | 15 (0.612) |
| L | 410 (16.73) | 505 (20.612) | 580 (23.67) | 710 (28.979) | 410 (16.73) | 505 (20.612) | 580 (23.67) | 710 (28.979) |
| M | 176,5 (7.204) | 215 (8.776) | 252 (10.286) | 283 (11.55) | 198 (8.08) | 239 (9.766) | 277,7 (11.335) | 306,7 (12.52) |
| N | 81,5 (3.327) | 93 (3.796) | 113,5 (4.633) | 122 (4.979) | 81,5 (3.327) | 93 (3.796) | 113,5 (4.633) | 122 (4.979) |
| O | 3 (0.12) | 5 (0.20) | 5 (0.204) | 5 (0.204) | 3 (0.12) | 5 (0.20) | 5 (0.204) | 5 (0.204) |
| P | 12 (0.49) | 16 (0.65) | 20 (0.816) | 25 (1.02) | 12 (0.49) | 16 (0.65) | 20 (0.816) | 25 (1.02) |
| Q | 176,5 (7.204) | 215 (8.78) | 210 (8.571) | 278 (9.44) | 145 (5.92) | 185 (7.551) | 210 (8.571) | 278 (9.44) |
| T | 40 (1.63) | 48 (1.959) | 53 (2.163) | 61 (2.489) | 40 (1.63) | 48 (1.959) | 53 (2.163) | 61 (2.489) |
| X max | 40 (1.63) | 45 (1.837) | 55 (2.245) | 65 (2.653) | 40 (1.63) | 45 (1.837) | 55 (2.245) | 65 (2.653) |
| Max velocità [RPM] Max speed [RPM] | 1300 | 1000 | 850 | 700 | 1300 | 1000 | 850 | 700 |
| Peso [kg] Weight [lb] | 92 (202) | 167 (367) | 276 (607) | 490 (1078) | 101 (222) | 182 (400) | 299 (657) | 529 (1163) |
| Inerzia Corpo [Kgm ²] Inertia Body [lb-ft ²] | 0,49 (11.63) | 1,5 (35.6) | 3,5 (83.06) | 9,8 (232.56) | 0,53 (12.58) | 1,7 (40.34) | 3,8 (90.18) | 10,4 (246,8) |
| Vol. cil. [lt] Cyl. Cap. [in ³] | 0,16 (9.76) | 0,39 (23.8) | 0,61 (37.22) | 1,1 (67.13) | 0,16 (9.76) | 0,39 (23.8) | 0,61 (37.22) | 1,1 (67.13) |
| Momento freno [Nm] Brake torque [lbin] | 2000 (17,700) | 4000 (33,800) | 8100 (72,500) | 16500 (145,860) | 2000 (17,700) | 4000 (33,800) | 8100 (72,500) | 16500 (145,000) |
| Mom. Friz. (5,5bar) [Nm] Clutch torque (80Psi) [lbin] | 3360 (29,736) | 6450 (57,083) | 10520 (93,102) | 21640 (191,514) | 4800 (42,480) | 9680 (85,668) | 15030 (133,015) | 30910 (273,553) |
| Mom. Friz. (6bar) [Nm] Clutch torque (87Psi) [lbin] | 3950 (34,957) | 7600 (67,260) | 12650 (111,952) | 26000 (230100,) | 5650 (50,003) | 11400 (100,890) | 18100 (160,185) | 37150 (328,778) |

Dimensioni - Dimensions in mm (inches)

Ci riserviamo il diritto di effettuare modifiche dettate da aggiornamenti tecnici senza preavviso. Esse saranno disponibili sul sito internet (www.ompirsl.com)

Due to technical updtings, we reserve the right to make changes without previous notice. They will be available on the internet (www.ompirsl.com)

GIUNTO ENTRATA OLIO - OIL INLET UNION

SERIE
SERIES

SCP

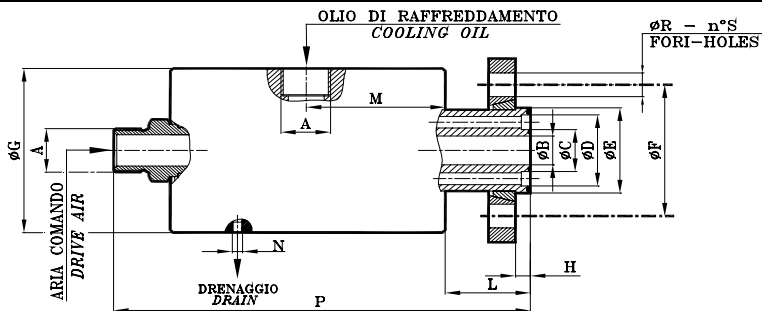
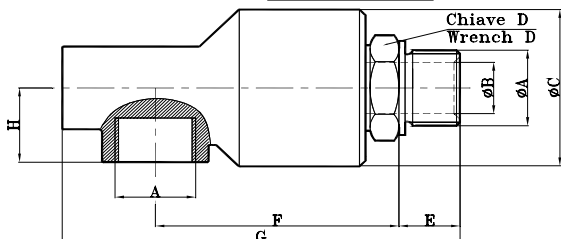
DUE VIE INDIPENDENTE
DUAL INDEPENDENT FLOW

| Grandezza Size | A | B | C | D | E | F | G | H | L | M | N | P | R | S |
|-------------------|------|--------------|----------------|----------------|--------------|---------------|---------------|--------------|----------------|--------------|-------|----------------|--------------|---|
| SCP.050 | 1/2" | 13 (0.51) | 22 (0.9) | 39 (1.59) | 52 (2.05) | 85 (3.35) | 98 (4) | 8 (0.31) | 42,8 (1.75) | 80 (3.27) | 1/16" | 223 (9.1) | 14 (0.55) | 4 |
| SCP.075 | 3/4" | 18 (0.71) | 27,5 (1.12) | 45,5 (1.86) | 58 (2.28) | 100 (3.94) | 110 (4.49) | 10 (0.39) | 52 (2.12) | 79 (3.22) | 1/16" | 236 (9.63) | 18 (0.71) | 4 |
| SCP.100 | 1" | 24 (0.94) | 32 (1.30) | 54 (2.13) | 65 (2.56) | 100 (3.94) | 125 (5.1) | 10 (0.39) | 57 (2.24) | 93 (3.8) | 1/16" | 279 (11.39) | 18 (0.71) | 4 |

UNA VIA
SINGLE FLOW

SERIE
SERIES

R



| Tipo Type | A | B | C | D | E | F | G | H | Peso / Weight kg / lbs | Velocità / Speed rpm |
|--------------|------|---------------|--------------|--------------|----------------|--------------|---------------|--------------|---------------------------|-------------------------|
| R.050 | 1/2" | 4,5 (0,17) | 35 (1,38) | 27 (1,06) | 18 (0,71) | 80 (3,15) | 111 (4,37) | 30 (1,18) | 0,75 (1,65) | 1500 |
| R.075 | 3/4" | 17 (0,66) | 56 (2,20) | 32 (1,26) | 20 (0,79) | 86 (3,39) | 122 (4,80) | 36 (1,42) | 0,96 (2,12) | 1000 |
| R.100 | 1" | 22 (0,86) | 65 (2,56) | 41 (1,61) | 23,5 (0,93) | 98 (3,86) | 138 (5,43) | 40 (1,57) | 1,4 (3,09) | 700 |

ESEMPI DI MONTAGGIO
MOUNTING EXAMPLES

